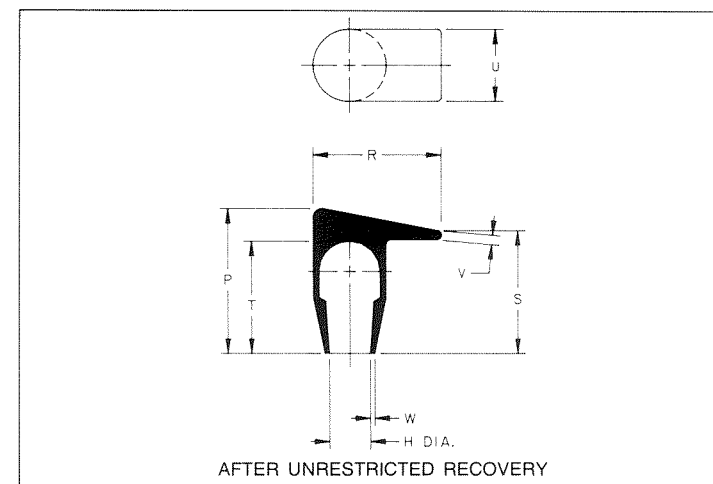
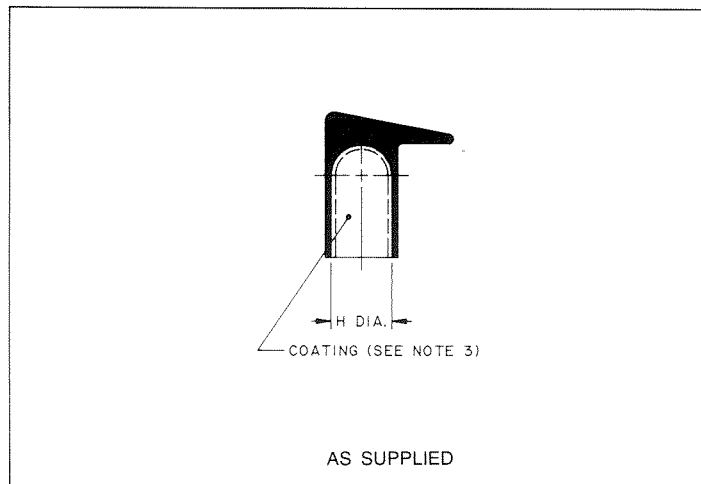


Thermofit[®] Molded Parts Specification Control Drawing

Part Number: 102A993
Description: Switch Cover

Notes:

- All dimensions are in Inches
[Millimeters]
- Dimensions appearing in table are as follows:
a - as supplied
b - after unrestricted recovery
- Coating is optional. As supplied dimensions appearing in table are for uncoated parts. When coating is added, entry diameters will be reduced by .06 max.
- This part fits MS 24658 switch or equivalent shaped lever lock switch.
- Standard color is grey. Other colors available upon request.



Part Number	H		P	R	S	T	U	V	W
	Min	Max	± 10%	± 10%	± 10%	± 10%	± 10%	± 10%	± 10%
	a	b	b	b	b	b	b	b	b
102A993	.50 [12,7]	.25 [6,4]	1.02 [25,9]	.88 [22,4]	.85 [21,6]	.78 [19,8]	.50 [12,7]	.06 [1,52]	.04 [1,02]

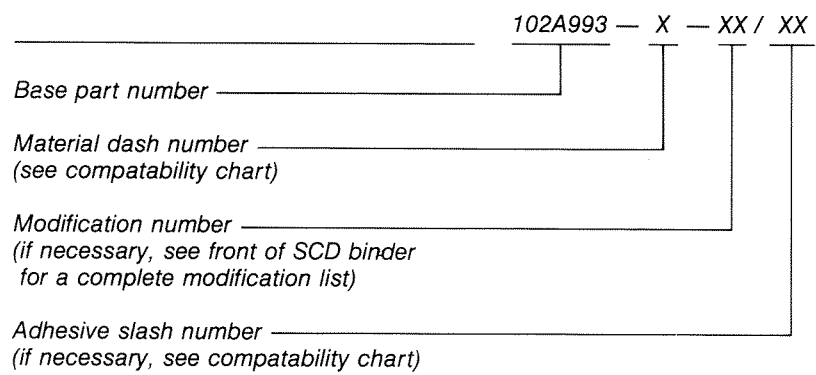
Thermofit[®] Molded Parts Specification Control Drawing

Part Number: 102A993
Description: Switch Cover

Compatability Chart

Material Dash No.	Material Description	RT Spec	Coating Slash No.	Coating S No.	Coating Description
- 3	Polyolefin, Semi-Rigid	RT-301	/42	S-1017	Adhesive

Ordering Information:



This drawing is subject to change without notice; consult your nearest field representative for current revision.

Raychem

Raychem Corporation
300 Constitution Drive
Menlo Park, California 94025
415) 361 6055

Revision: **B**
Date: **8-1-85**

Part Number: 102A993
Description: Switch Cover

X-ON Electronics

Largest Supplier of Electrical and Electronic Components

Click to view similar products for [Cable Mounting & Accessories](#) category:

Click to view products by [TE Connectivity](#) manufacturer:

Other Similar products are found below :

[582603-1](#) [009333-000](#) [727844N003](#) [747](#) [809090N001](#) [843188-000](#) [8666](#) [967279N002](#) [DB-11](#) [1300840039](#) [1300900096](#) [1301800416](#)
[1302264450](#) [1300830184](#) [1300830729](#) [1300900039](#) [1301580036](#) [1301850553](#) [1301860939](#) [1302000074](#) [1302261315](#) [1302264431](#)
[1337706-2](#) [APA18-AK](#) [1724](#) [1-787307-1](#) [185491N001](#) [1868](#) [HP-6N](#) [C-202-C](#) [202C221-13-0](#) [CA7308-000](#) [8S23-75FR-CS8184](#) [2684](#) [9648](#)
[3089](#) [988382-000](#) [A72821-000](#) [AA401](#) [173506-000](#) [1823](#) [202C292-13-0](#) [202C302-13-0](#) [2109](#) [300625](#) [3330](#) [3412](#) [356247-1](#) [M9142](#)
[M9143](#)