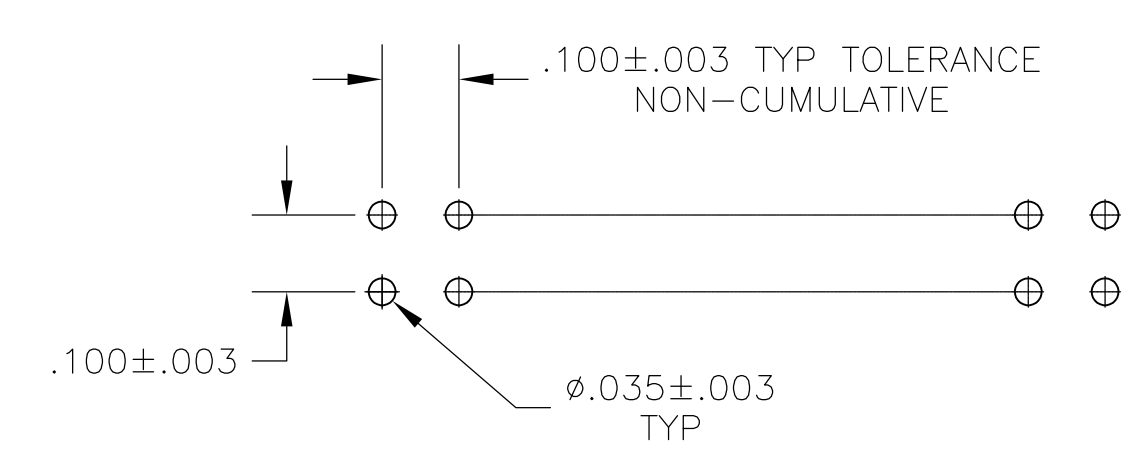
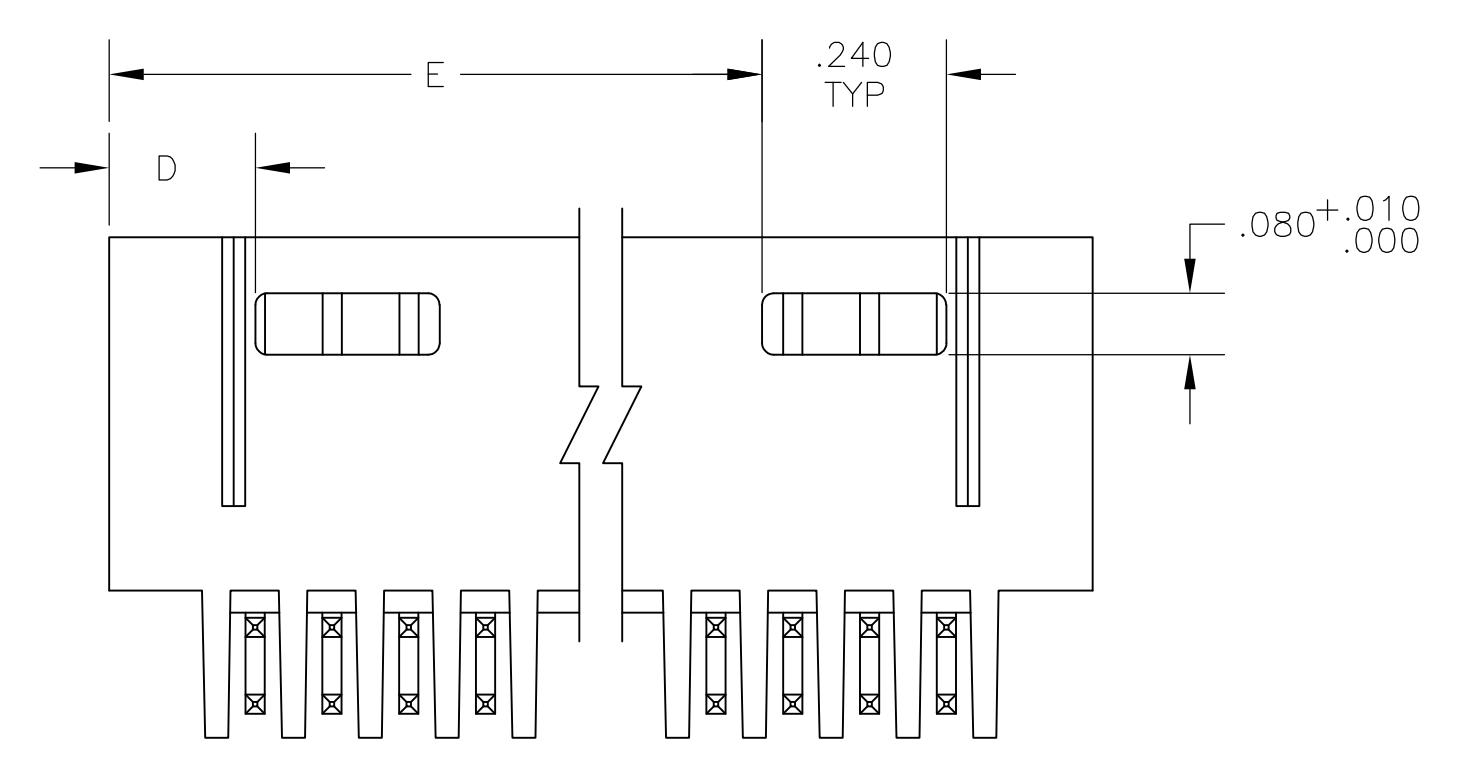
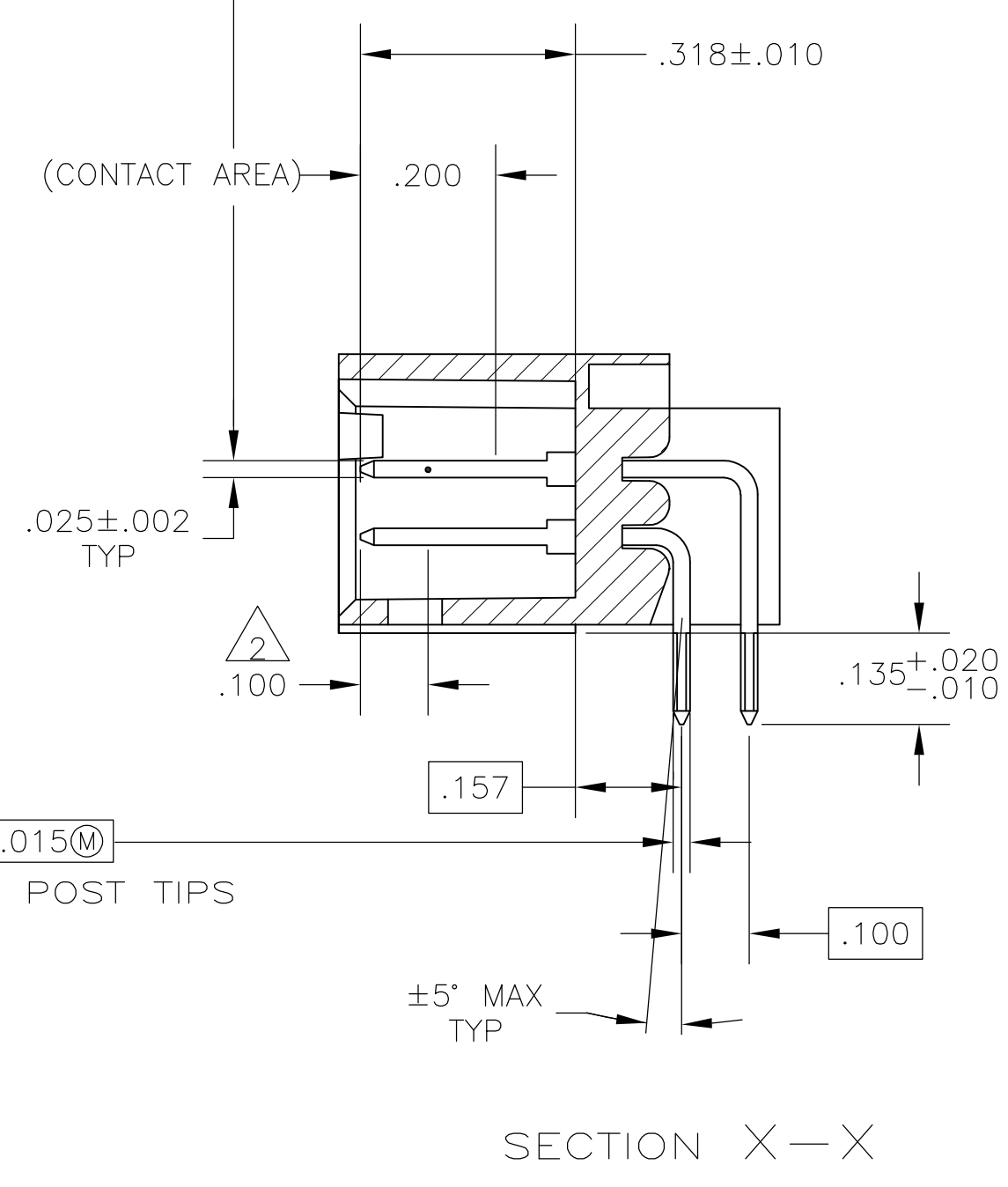
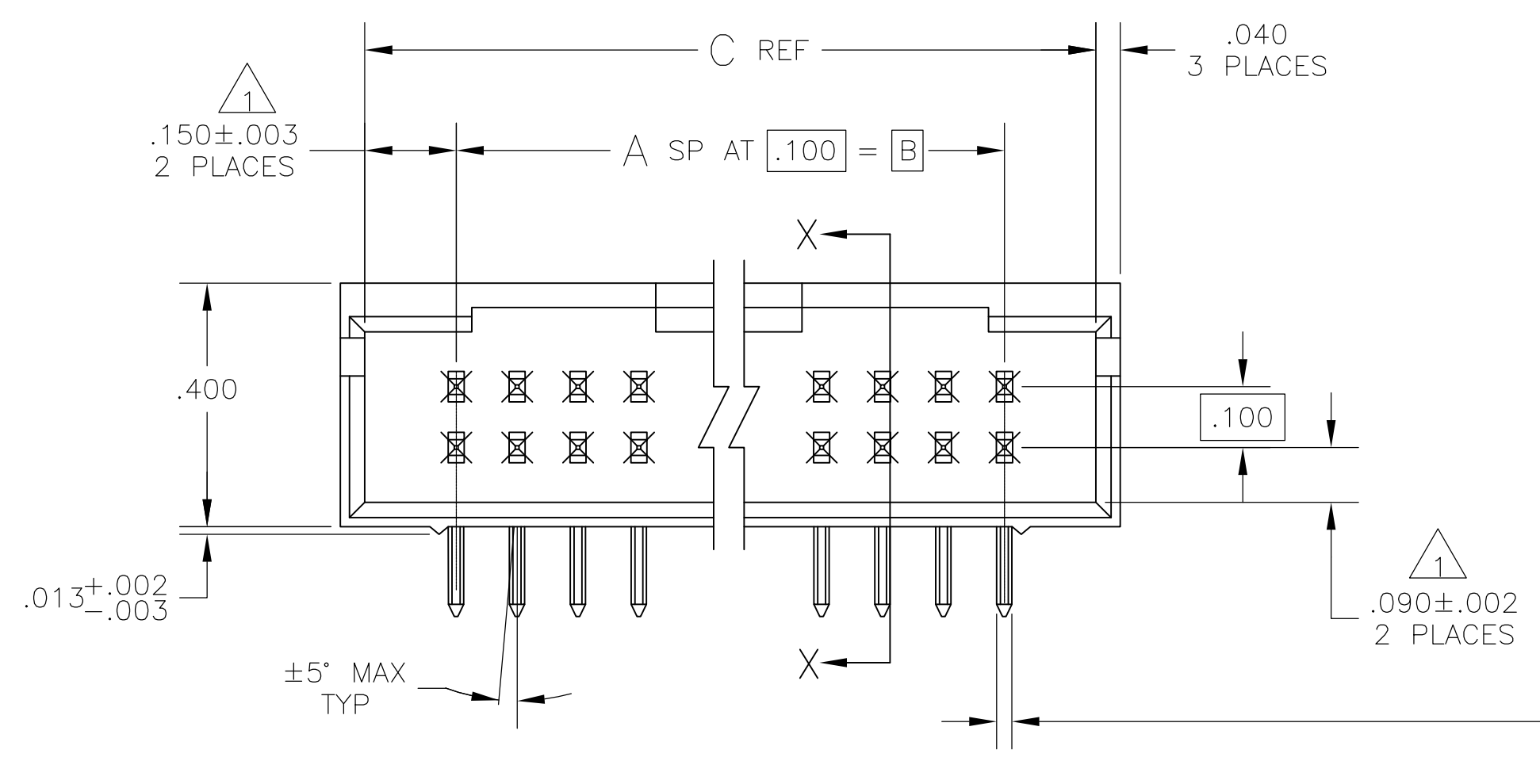
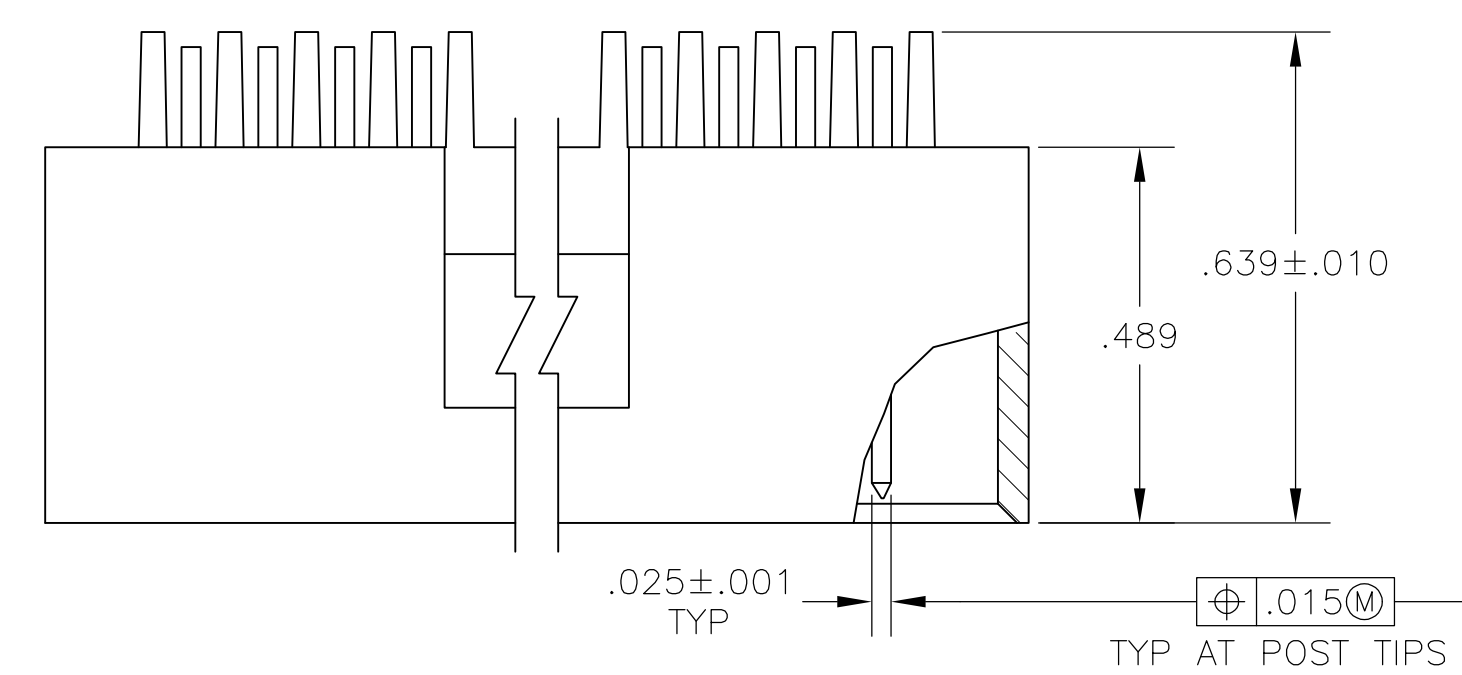


- 1 THE NOTED DIMENSION APPLIES AT THE INTERSECTION OF THE POST AND HOUSING
- 2 POINT OF MEASUREMENT FOR PLATING THICKNESS.
- 3 POSTS: .000030 GOLD IN CONTACT AREA .000100-.000200 MATTE TIN LEAD ON SOLDER TAIL, ALL OVER .000050 NICKEL
- 4 POSTS: .000030 GOLD IN CONTACT AREA .000100-.000200 MATTE TIN ON SOLDER TAIL, ALL OVER .000050 NICKEL
- 5 OBSOLETE PARTS: OBSOLETE CIS STREAMLINING PER D.RENAUD/D.SINISI



REV	DATE	BY	CHK	DESCRIPTION	NO OF POSN	ASSEMBLY PART NUMBER
5	OBSOLETE	4	4	3.490 .190 3.800 3.500 35 72	8-103167-3	
5	OBSOLETE	4	4	3.390 .190 3.700 3.400 34 70	8-103167-2	
5	OBSOLETE	4	4	3.290 .190 3.600 3.300 33 68	8-103167-1	
5	OBSOLETE	4	4	3.190 .190 3.500 3.200 32 66	8-103167-0	
5	OBSOLETE	4	4	3.090 .190 3.400 3.100 31 64	7-103167-9	
5	OBSOLETE	4	4	2.990 .190 3.300 3.000 30 62	7-103167-8	
5	OBSOLETE	4	4	2.890 .190 3.200 2.900 29 60	7-103167-7	
5	OBSOLETE	4	4	2.790 .190 3.100 2.800 28 58	7-103167-6	
5	OBSOLETE	4	4	2.690 .190 3.000 2.700 27 56	7-103167-5	
5	OBSOLETE	4	4	2.590 .190 2.900 2.600 26 54	7-103167-4	
5	OBSOLETE	4	4	2.490 .190 2.800 2.500 25 52	7-103167-3	
5	OBSOLETE	4	4	2.390 .190 2.700 2.400 24 50	7-103167-2	
5	OBSOLETE	4	4	2.290 .190 2.600 2.300 23 48	7-103167-1	
5	OBSOLETE	4	4	2.190 .190 2.500 2.200 22 46	7-103167-0	
5	OBSOLETE	4	4	2.090 .190 2.400 2.100 21 44	6-103167-9	
5	OBSOLETE	4	4	1.990 .190 2.300 2.000 20 42	6-103167-8	
5	OBSOLETE	4	4	1.890 .190 2.200 1.900 19 40	6-103167-7	
5	OBSOLETE	4	4	1.790 .190 2.100 1.800 18 38	6-103167-6	
5	OBSOLETE	4	4	1.690 .190 2.000 1.700 17 36	6-103167-5	
5	OBSOLETE	4	4	1.590 .190 1.900 1.600 16 34	6-103167-4	
5	OBSOLETE	4	4	1.490 .190 1.800 1.500 15 32	6-103167-3	
5	OBSOLETE	4	4	1.390 .190 1.700 1.400 14 30	6-103167-2	
5	OBSOLETE	4	4	1.290 .190 1.600 1.300 13 28	6-103167-1	
5	OBSOLETE	4	4	1.190 .190 1.500 1.200 12 26	6-103167-0	
5	OBSOLETE	4	4	1.090 .190 1.400 1.100 11 24	5-103167-9	
5	OBSOLETE	4	4	.990 .190 1.300 1.000 10 22	5-103167-8	
5	OBSOLETE	4	4	.890 .190 1.200 .900 9 20	5-103167-7	
5	OBSOLETE	4	4	.790 .190 1.100 .800 8 18	5-103167-6	
5	OBSOLETE	4	4	.690 .190 1.000 .700 7 16	5-103167-5	
5	OBSOLETE	4	4	.590 .190 .900 .600 6 14	5-103167-4	
5	OBSOLETE	4	4	.490 .190 .800 .500 5 12	5-103167-3	
5	OBSOLETE	4	4	.390 .190 .700 .400 4 10	5-103167-2	
5	OBSOLETE	4	4	.290 .190 .600 .300 3 8	5-103167-1	
5	OBSOLETE	3	3	3.490 .190 3.800 3.500 35 72	3-103167-3	
5	OBSOLETE	3	3	3.390 .190 3.700 3.400 34 70	3-103167-2	
5	OBSOLETE	3	3	3.290 .190 3.600 3.300 33 68	3-103167-1	
5	OBSOLETE	3	3	3.190 .190 3.500 3.200 32 66	3-103167-0	
5	OBSOLETE	3	3	3.090 .190 3.400 3.100 31 64	2-103167-9	
5	OBSOLETE	3	3	2.990 .190 3.300 3.000 30 62	2-103167-8	
5	OBSOLETE	3	3	2.890 .190 3.200 2.900 29 60	2-103167-7	
5	OBSOLETE	3	3	2.790 .190 3.100 2.800 28 58	2-103167-6	
5	OBSOLETE	3	3	2.690 .190 3.000 2.700 27 56	2-103167-5	
5	OBSOLETE	3	3	2.590 .190 2.900 2.600 26 54	2-103167-4	
5	OBSOLETE	3	3	2.490 .190 2.800 2.500 25 52	2-103167-3	
5	OBSOLETE	3	3	2.390 .190 2.700 2.400 24 50	2-103167-2	
5	OBSOLETE	3	3	2.290 .190 2.600 2.300 23 48	2-103167-1	
5	OBSOLETE	3	3	2.190 .190 2.500 2.200 22 46	2-103167-0	
5	OBSOLETE	3	3	2.090 .190 2.400 2.100 21 44	1-103167-9	
5	OBSOLETE	3	3	1.990 .190 2.300 2.000 20 42	1-103167-8	
5	OBSOLETE	3	3	1.890 .190 2.200 1.900 19 40	1-103167-7	
5	OBSOLETE	3	3	1.790 .190 2.100 1.800 18 38	1-103167-6	
5	OBSOLETE	3	3	1.690 .190 2.000 1.700 17 36	1-103167-5	
5	OBSOLETE	3	3	1.590 .190 1.900 1.600 16 34	1-103167-4	
5	OBSOLETE	3	3	1.490 .190 1.800 1.500 15 32	1-103167-3	
5	OBSOLETE	3	3	1.390 .190 1.700 1.400 14 30	1-103167-2	
5	OBSOLETE	3	3	1.290 .190 1.600 1.300 13 28	1-103167-1	
5	OBSOLETE	3	3	1.190 .190 1.500 1.200 12 26	1-103167-0	
5	OBSOLETE	3	3	1.090 .190 1.400 1.100 11 24	103167-9	
5	OBSOLETE	3	3	.990 .190 1.300 1.000 10 22	103167-8	
5	OBSOLETE	3	3	.890 .190 1.200 .900 9 20	103167-7	
5	OBSOLETE	3	3	.790 .190 1.100 .800 8 18	103167-6	
5	OBSOLETE	3	3	.690 .190 1.000 .700 7 16	103167-5	
5	OBSOLETE	3	3	.590 .190 .900 .600 6 14	103167-4	
5	OBSOLETE	3	3	.490 .190 .800 .500 5 12	103167-3	
5	OBSOLETE	3	3	.390 .190 .700 .400 4 10	103167-2	
5	OBSOLETE	3	3	.290 .190 .600 .300 3 8	103167-1	

THIS DRAWING IS A CONTROLLED DOCUMENT.		DIN H MOLL 27JUL87	 TE Connectivity
DIMENSIONS: INCHES		CHK R FLIDT 28JUL87	
TOLERANCES UNLESS OTHERWISE SPECIFIED:		APVD R FLICKER 29JUL87	NAME: HDR ASSY, MOD II, SHROUDED, 4 SIDES, DBL ROW, .100X.100 PRODUCT SPEC: RIGHT ANGLE, W/ .025 SQ POSTS
0 PLC ± - 1 PLC ± - 2 PLC ± - 3 PLC ± .005 4 PLC ± - ANGLES ± -		APPLICATION SPEC	
MATERIAL: HOUSING: PLATE RESISTANT COLOR: BRNZ POST:PHOS BRONZE		FINISH: SEE TABLE	SIZE: A1 CAGE CODE: 00779 DRAWING NO: 103167 WEIGHT: - CUSTOMER DRAWING
RECOMMENDED HOLE LAYOUT		RESTRICTED TO	SCALE: 4:1 SHEET: 1 of 1 REV: N4

X-ON Electronics

Largest Supplier of Electrical and Electronic Components

Click to view similar products for [Headers & Wire Housings](#) category:

Click to view products by [TE Connectivity](#) manufacturer:

Other Similar products are found below :

[892-18-020-10-001101](#) [58102-G61-06LF](#) [582553-1](#) [0009485154](#) [009176003701906](#) [0050291907](#) [LY20-4P-DT1-P1E-BR](#) [02.125.8002.8](#)
[609-3404](#) [61062-3](#) [61082-181009](#) [622-3653LF](#) [63453-116](#) [636-1030](#) [636-1427](#) [636-3427](#) [636-4007](#) [641938-9](#) [641991-4](#) [644827-2](#) [65817-010LF](#) [65817-015LF](#) [65863-015LF](#) [66207-023LF](#) [67095-007LF](#) [67601157](#) [68645-018](#) [68648-049](#) [70.362.1628.0](#) [70-4210](#) [70-4226B](#) [70-4853B](#) [707-5020](#) [707-5028](#) [71.350.2428.0](#) [71918-208LF](#) [71961-016LF](#) [733-134](#) [733-162](#) [754199-000](#) [760-3052](#) [787-8014-00](#) [79531-3000](#)
[FCN-360C032-B](#) [FCN-367T-T012/H](#) [FCN-723D010/2](#) [80.063.4001.1](#) [800-90-001-10-001000](#) [800-90-010-10-002000](#) [801-43-002-10-013000](#)