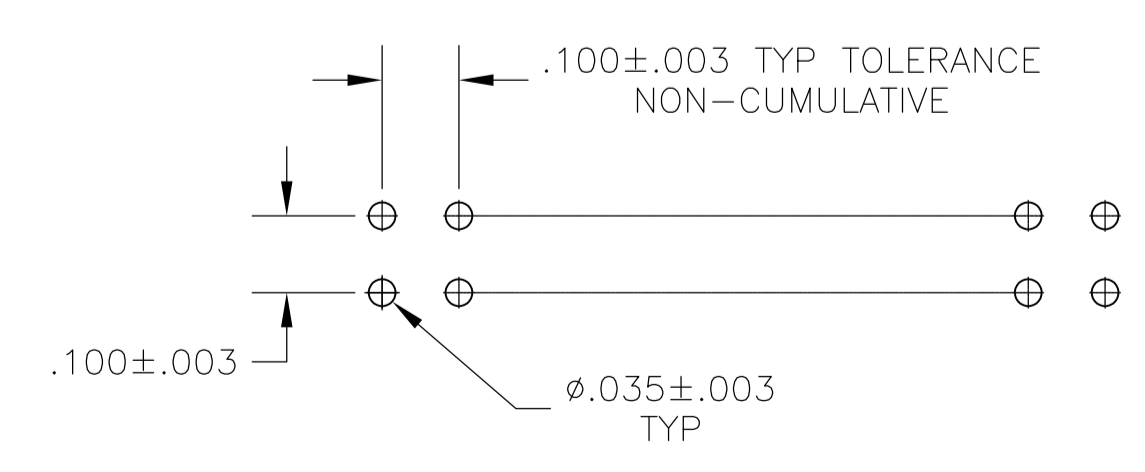
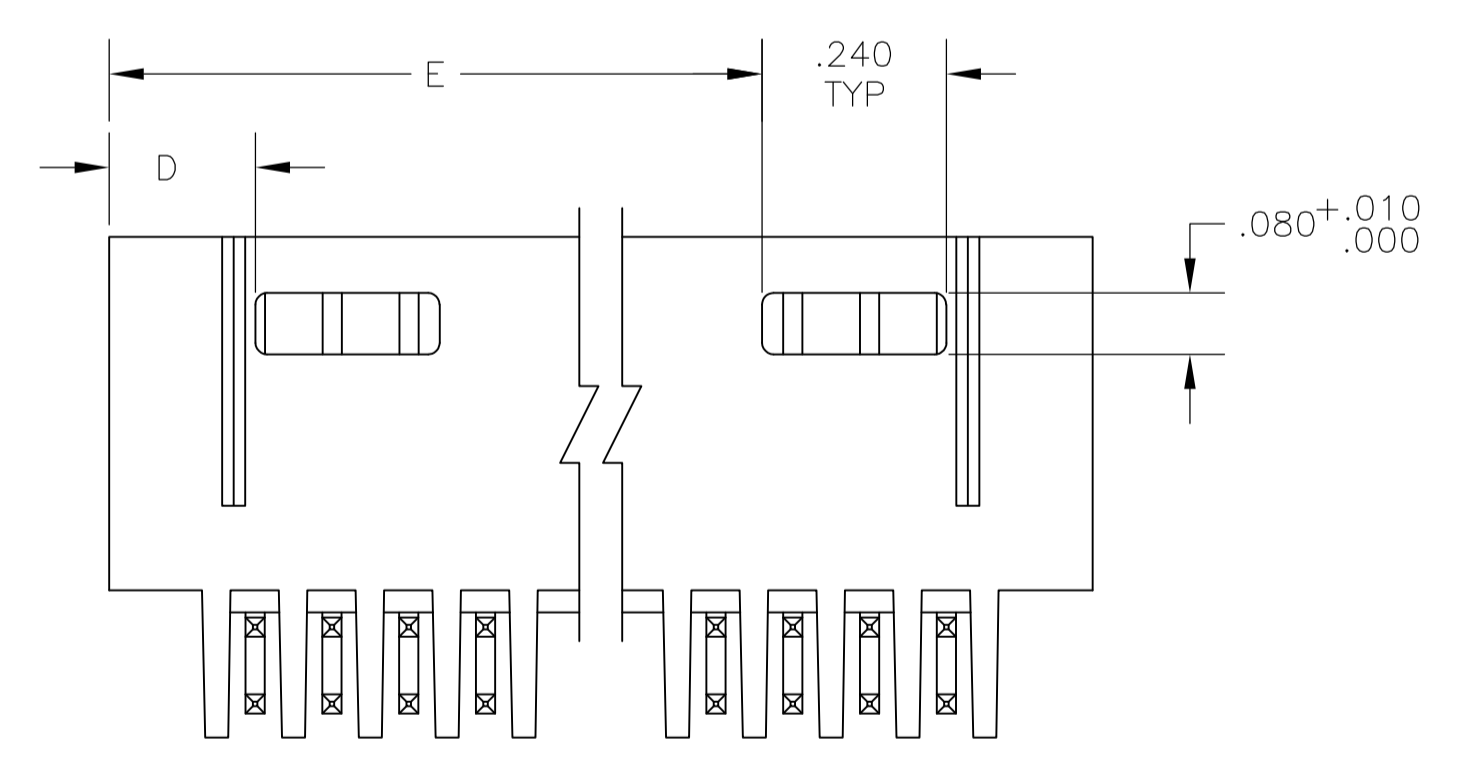
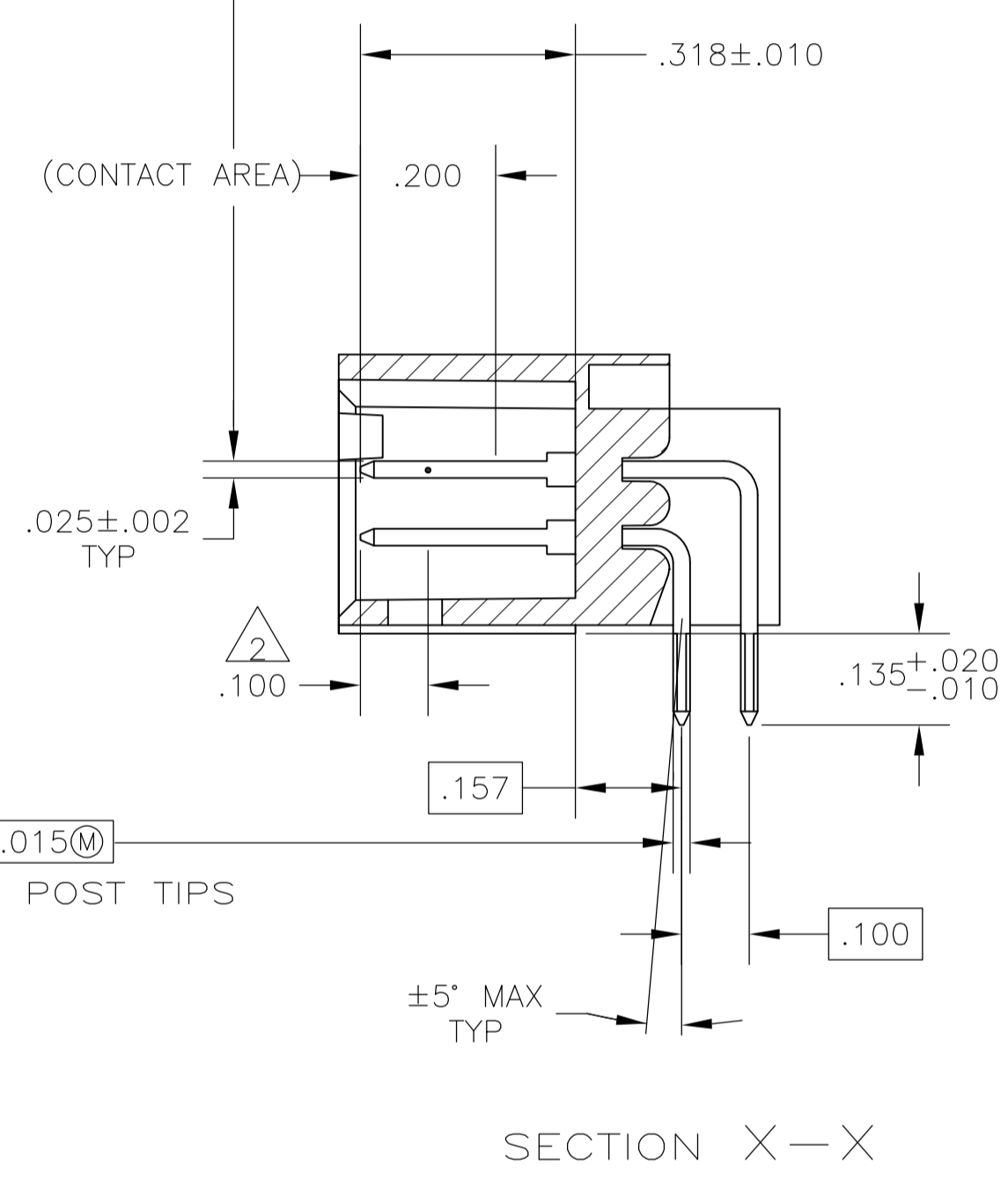
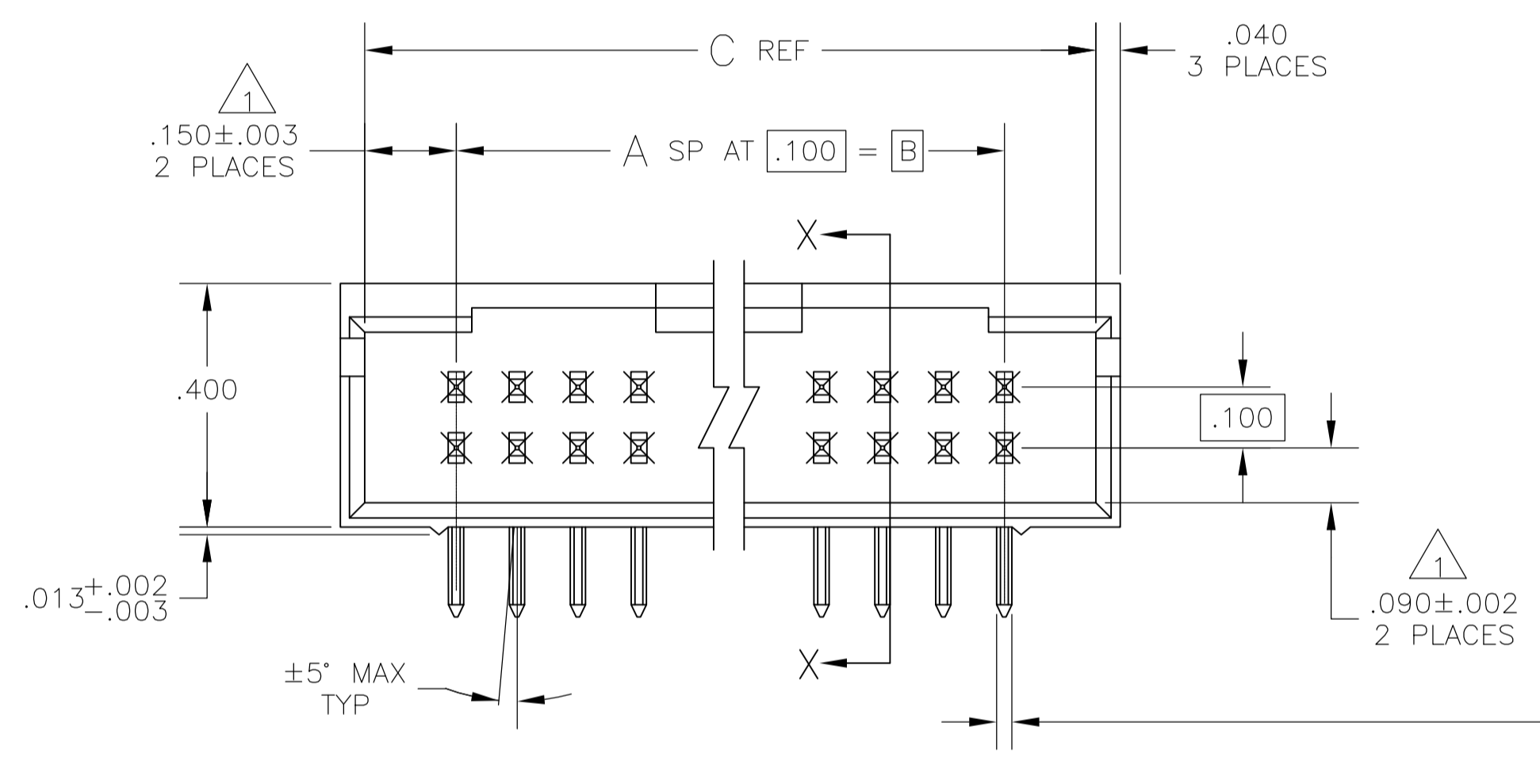
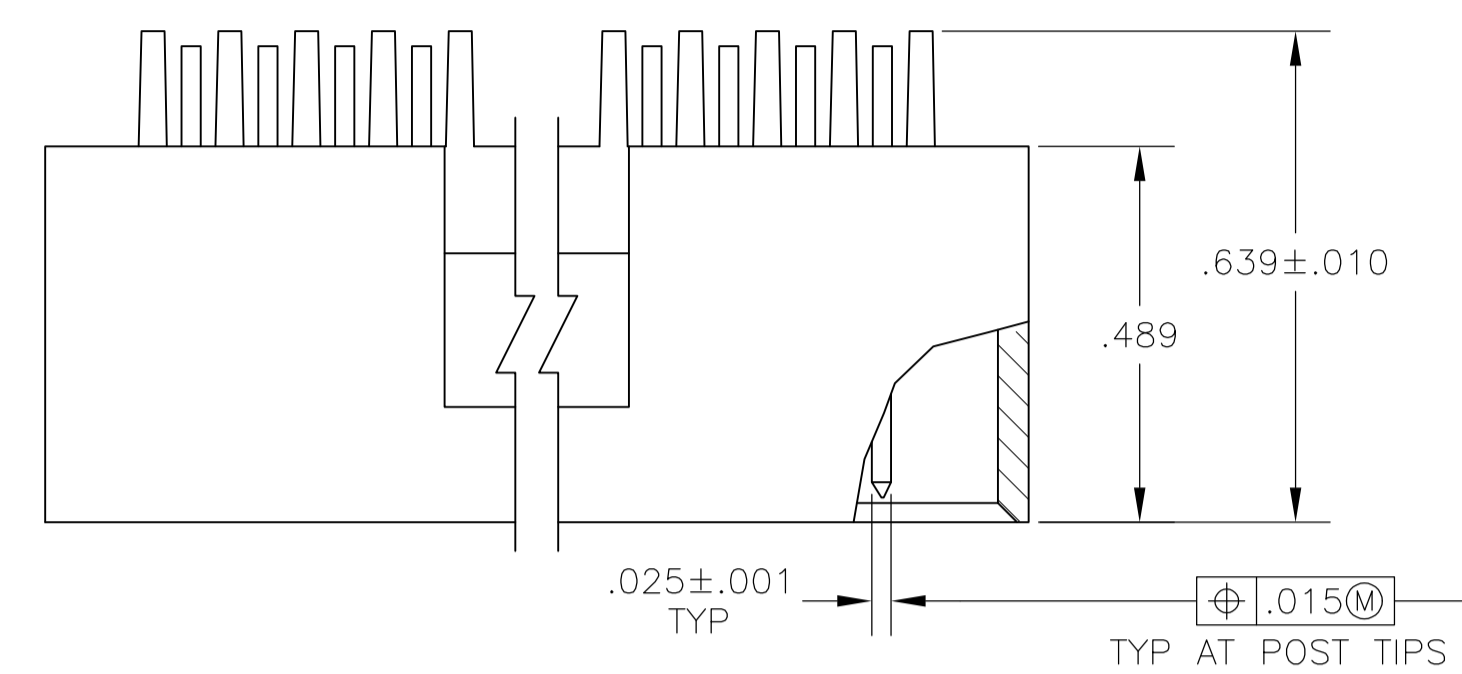


- 1 THE NOTED DIMENSION APPLIES AT THE INTERSECTION OF THE POST AND HOUSING
- 2 POINT OF MEASUREMENT FOR PLATING THICKNESS.
- 3 POSTS: .000030 GOLD IN CONTACT AREA .000100-.000200 MATTE TIN LEAD ON SOLDER TAIL, ALL OVER .000050 NICKEL
- 4 POSTS: .000030 GOLD IN CONTACT AREA .000100-.000200 MATTE TIN ON SOLDER TAIL, ALL OVER .000050 NICKEL
- 5 OBSOLETE PARTS: OBSOLETE CIS STREAMLINING PER D.RENAUD/D.SINISI



REV	DATE	BY	CHK	DESCRIPTION	NO OF POSN	ASSEMBLY PART NUMBER
5	OBSOLETE					
4	OBSOLETE					
3	OBSOLETE					
2	OBSOLETE					
1	OBSOLETE					
0	OBSOLETE					
3	OBSOLETE					
2	OBSOLETE					
1	OBSOLETE					
0	OBSOLETE					
3	OBSOLETE					
2	OBSOLETE					
1	OBSOLETE					
0	OBSOLETE					
3	OBSOLETE					
2	OBSOLETE					
1	OBSOLETE					
0	OBSOLETE					
3	OBSOLETE					
2	OBSOLETE					
1	OBSOLETE					
0	OBSOLETE					
3	OBSOLETE					
2	OBSOLETE					
1	OBSOLETE					
0	OBSOLETE					
3	OBSOLETE					
2	OBSOLETE					
1	OBSOLETE					
0	OBSOLETE					
3	OBSOLETE					
2	OBSOLETE					
1	OBSOLETE					
0	OBSOLETE					
3	OBSOLETE					
2	OBSOLETE					
1	OBSOLETE					
0	OBSOLETE					
3	OBSOLETE					
2	OBSOLETE					
1	OBSOLETE					
0	OBSOLETE					
3	OBSOLETE					
2	OBSOLETE					
1	OBSOLETE					
0	OBSOLETE					
3	OBSOLETE					
2	OBSOLETE					
1	OBSOLETE					
0	OBSOLETE					
3	OBSOLETE					
2	OBSOLETE					
1	OBSOLETE					
0	OBSOLETE					
3	OBSOLETE					
2	OBSOLETE					
1	OBSOLETE					
0	OBSOLETE					
3	OBSOLETE					
2	OBSOLETE					
1	OBSOLETE					
0	OBSOLETE					
3	OBSOLETE					
2	OBSOLETE					
1	OBSOLETE					
0	OBSOLETE					
3	OBSOLETE					
2	OBSOLETE					
1	OBSOLETE					
0	OBSOLETE					
3	OBSOLETE					
2	OBSOLETE					
1	OBSOLETE					
0	OBSOLETE					
3	OBSOLETE					
2	OBSOLETE					
1	OBSOLETE					
0	OBSOLETE					
3	OBSOLETE					
2	OBSOLETE					
1	OBSOLETE					
0	OBSOLETE					
3	OBSOLETE					
2	OBSOLETE					
1	OBSOLETE					
0	OBSOLETE					
3	OBSOLETE					
2	OBSOLETE					
1	OBSOLETE					
0	OBSOLETE					
3	OBSOLETE					
2	OBSOLETE					
1	OBSOLETE					
0	OBSOLETE					
3	OBSOLETE					
2	OBSOLETE					
1	OBSOLETE					
0	OBSOLETE					
3	OBSOLETE					
2	OBSOLETE					
1	OBSOLETE					
0	OBSOLETE					
3	OBSOLETE					
2	OBSOLETE					
1	OBSOLETE					
0	OBSOLETE					
3	OBSOLETE					
2	OBSOLETE					
1	OBSOLETE					
0	OBSOLETE					
3	OBSOLETE					
2	OBSOLETE					
1	OBSOLETE					
0	OBSOLETE					
3	OBSOLETE					
2	OBSOLETE					
1	OBSOLETE					
0	OBSOLETE					
3	OBSOLETE					
2	OBSOLETE					
1	OBSOLETE					
0	OBSOLETE					
3	OBSOLETE					
2	OBSOLETE					
1	OBSOLETE					
0	OBSOLETE					
3	OBSOLETE					
2	OBSOLETE					
1	OBSOLETE					
0	OBSOLETE					
3	OBSOLETE					
2	OBSOLETE					
1	OBSOLETE					
0	OBSOLETE					
3	OBSOLETE					
2	OBSOLETE					
1	OBSOLETE					
0	OBSOLETE					
3	OBSOLETE					
2	OBSOLETE					
1	OBSOLETE					
0	OBSOLETE					
3	OBSOLETE					
2	OBSOLETE					
1	OBSOLETE					
0	OBSOLETE					
3	OBSOLETE					
2	OBSOLETE					
1	OBSOLETE					
0	OBSOLETE					
3	OBSOLETE					
2	OBSOLETE					
1	OBSOLETE					
0	OBSOLETE					
3	OBSOLETE					
2	OBSOLETE					
1	OBSOLETE					
0	OBSOLETE					
3	OBSOLETE					
2	OBSOLETE					
1	OBSOLETE					
0	OBSOLETE					
3	OBSOLETE					
2	OBSOLETE					
1	OBSOLETE					
0	OBSOLETE					
3	OBSOLETE					
2	OBSOLETE					
1	OBSOLETE					
0	OBSOLETE					
3	OBSOLETE					
2	OBSOLETE					
1	OBSOLETE					
0	OBSOLETE					
3	OBSOLETE					
2	OBSOLETE					
1	OBSOLETE					
0	OBSOLETE					
3	OBSOLETE					
2	OBSOLETE					
1	OBSOLETE					
0	OBSOLETE					
3	OBSOLETE					
2	OBSOLETE					
1	OBSOLETE					
0	OBSOLETE					
3	OBSOLETE					
2	OBSOLETE					
1	OBSOLETE					
0	OBSOLETE					
3	OBSOLETE					
2	OBSOLETE					
1	OBSOLETE					
0	OBSOLETE					
3	OBSOLETE					
2	OBSOLETE					
1	OBSOLETE					
0	OBSOLETE					
3	OBSOLETE					
2	OBSOLETE					
1	OBSOLETE					
0	OBSOLETE					
3	OBSOLETE					
2	OBSOLETE					
1	OBSOLETE					
0	OBSOLETE					
3	OBSOLETE					
2	OBSOLETE					
1	OBSOLETE					
0	OBSOLETE					
3	OBSOLETE					
2	OBSOLETE					
1	OBSOLETE					
0	OBSOLETE					
3	OBSOLETE					
2	OBSOLETE					
1	OBSOLETE					
0	OBSOLETE					
3	OBSOLETE					
2	OBSOLETE					
1	OBSOLETE					
0	OBSOLETE					
3	OBSOLETE					
2	OBSOLETE					
1	OBSOLETE					
0	OBSOLETE					
3	OBSOLETE					
2	OBSOLETE					
1	OBSOLETE					
0	OBSOLETE					
3	OBSOLETE					
2	OBSOLETE					
1	OBSOLETE					
0	OBSOLETE					
3	OBSOLETE					
2	OBSOLETE					
1	OBSOLETE					
0	OBSOLETE					
3	OBSOLETE					
2	OBSOLETE					
1	OBSOLETE					
0	OBSOLETE					
3	OBSOLETE					
2	OBSOLETE					
1	OBSOLETE					
0	OBSOLETE					
3	OBSOLETE					
2	OBSOLETE					
1	OBSOLETE					
0	OBSOLETE					
3	OBSOLETE					
2	OBSOLETE					
1	OBSOLETE					
0	OBSOLETE					
3	OBSOLETE					
2	OBSOLETE					
1	OBSOLETE					
0	OBSOLETE					
3	OBSOLETE					
2	OBSOLETE					
1	OBSOLETE					
0	OBSOLETE					
3	OBSOLETE					
2	OBSOLETE					
1	OBSOLETE					
0	OBSOLETE					
3	OBSOLETE					
2	OBSOLETE					
1	OBSOLETE					
0	OBSOLETE					
3	OBSOLETE					
2	OBSOLETE					
1	OBSOLETE					
0	OBSOLETE					
3	OBSOLETE					
2	OBSOLETE					
1	OBSOLETE					
0	OBSOLETE					
3	OBSOLETE					
2	OBSOLETE					
1	OBSOLETE					
0	OBSOLETE					
3	OBSOLETE					
2	OBSOLETE					
1	OBSOLETE					
0	OBSOLETE					
3	OBSOLETE					
2	OBSOLETE					
1	OBSOLETE					
0	OBSOLETE					

## X-ON Electronics

Largest Supplier of Electrical and Electronic Components

*Click to view similar products for [Headers & Wire Housings](#) category:*

*Click to view products by [TE Connectivity](#) manufacturer:*

Other Similar products are found below :

[95000-104TRLF](#) [10135584-644402LF](#) [DF62W-EP2022PCA](#) [95000-106TRLF](#) [DF62W-2022SCA](#) [DF62W-EP2022PC](#) [2203348](#) [DF62W-2022SC](#) [1084018](#) [1029039](#) [1084017](#) [802-10-012-10-002000](#) [1112640](#) [1112639](#) [000-34000](#) [0009482033](#) [0009507031](#) [57102-S06-03LF](#) [57202-S52-04LF](#) [PCN6-15S-2.5E](#) [0039019024](#) [58102-G61-06LF](#) [582553-1](#) [0009508121](#) [0050291907](#) [018731A](#) [LY20-4P-DT1-P1E-BR](#) [02.125.8002.8](#) [60101931](#) [60598-1 \(Cut Strip\)](#) [M1625-3R/100](#) [61062-3](#) [61082-181009](#) [636-1427](#) [638009-1](#) [641938-9](#) [641991-4](#) [644168-1](#) [647662-1](#) [65039-019ELF](#) [65817-002LF](#) [65817-015LF](#) [65863-015LF](#) [66207-023LF](#) [67016-026LF](#) [67046-001LF](#) [67095-007LF](#) [68002-116](#) [68016-236H](#) [68648-049](#)