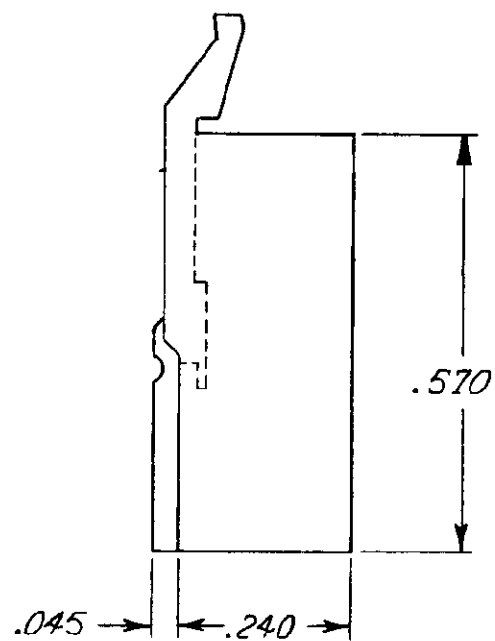
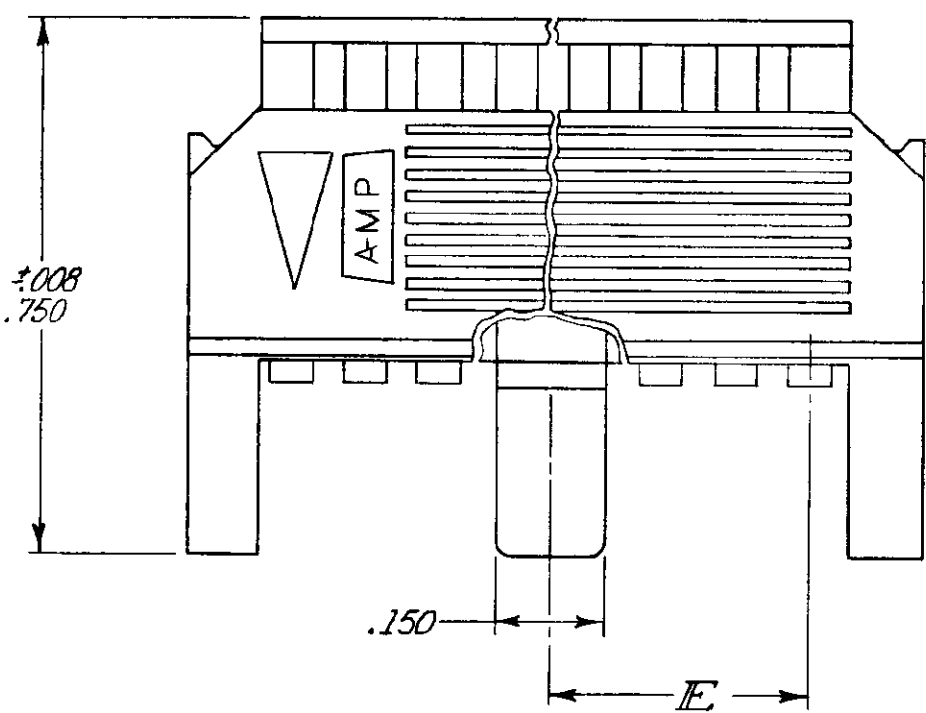
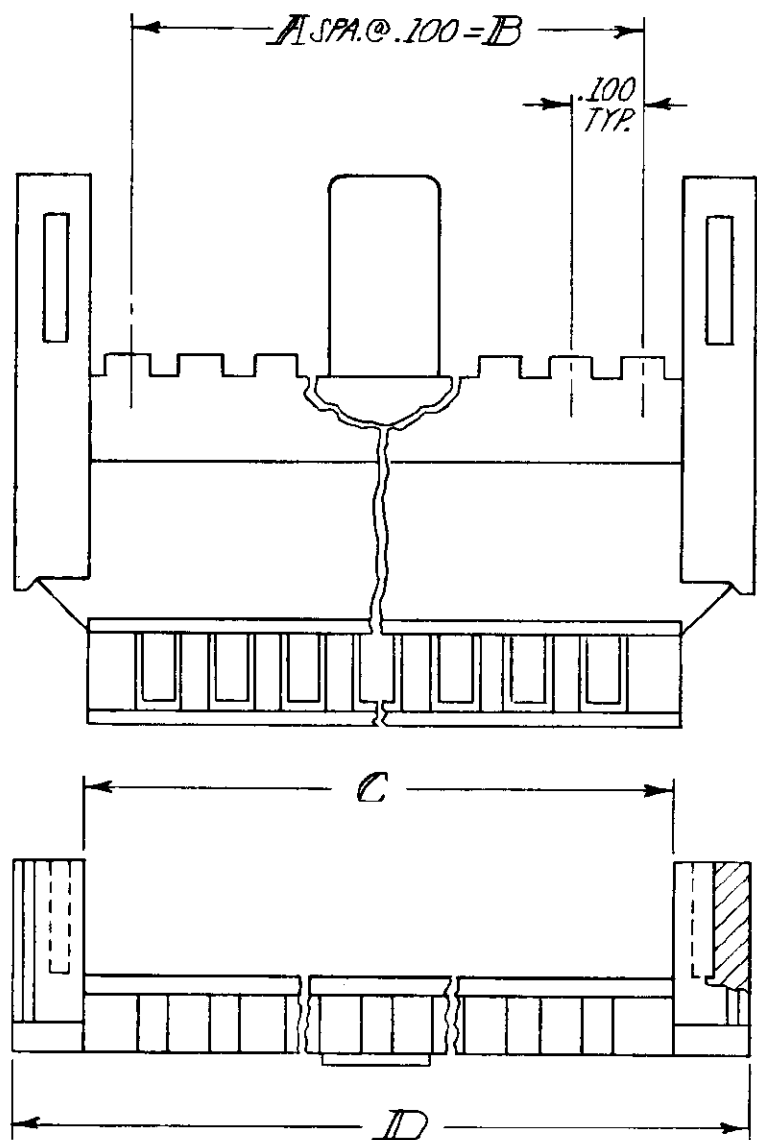


THIS DRAWING IS UNPUBLISHED. RELEASED FOR PUBLICATION JULY 12, 1983  
 © COPYRIGHT 1983 BY AMP INCORPORATED, HARRISBURG, PA. ALL INTERNATIONAL RIGHTS RESERVED. AMP PRODUCTS MAY BE COVERED BY U.S. AND FOREIGN PATENTS AND/OR PATENTS PENDING.

REVISIONS					
P	F	ZONE	LTR	DESCRIPTION	DATE APPROVED
0	✓		0	RELEASED WAS 5216-290-1 CUST	
0	✓		01	REV-ECN AR 1895	AD 3-31-89 SF
✓	✓		A	REV LOC & DIST AD-4171	11-27-89 BF



- 1 NUMBER OF POSITIONS INDICATED PERTAINS TO HOUSING.
- 2 THIS COVER IS TO BE USED WITH 102536.
- 3 THIS COVER COMPATIBLE WITH EJECT HEADER LATCHES:  
 P-N 102186-1 WITH PUSH TABS  
 P-N 102320-1 WITHOUT PUSH TABS
- 4 NO CENTER BAR ON THIS PART.
- 5 OBSOLETE PART NUMBER

1.550	3.396	3.206	3.100	31	64	5-103316-5
1.450	3.196	3.006	2.900	29	60	1-5-4
1.200	2.696	2.506	2.400	24	50	1-5-3
1.050	2.396	2.206	2.100	21	44	1-5-2
.950	2.196	2.006	1.900	19	40	1-5-1
.800	1.896	1.706	1.600	16	34	1-0
.700	1.696	1.506	1.400	14	30	5-9
.600	1.496	1.306	1.200	12	26	5-8
.550	1.396	1.206	1.100	11	24	5-7
.450	1.196	1.006	.900	9	20	5-6
.350	.996	.806	.700	7	16	5-5
.300	.896	.706	.600	6	14	5-4
.250	.796	.606	.500	5	12	5-3
.200	.696	.506	.400	4	10	5-2
4	.596	.406	.300	3	8	5-103316-1
E	D	C	B	A	REF. NO. OF POSITIONS	PART NO

UNLESS OTHERWISE SPECIFIED DIMENSIONS ARE IN INCHES. TOLERANCES ON: DECIMALS ±.005 ANGLES ±	CONTRACT NO		<b>AMP</b>   AMP INCORPORATED Harrisburg, Pa. 17105		
	DR P. A. Cook 7-12-83	CHK K. L. L. 7/15/83			
MATERIAL FLAME RETARDANT THERMOPLASTIC, COLOR - BLACK.	APPD K. L. L. 7/15/83	APPD K. L. L. 7/15/83	NAME COVER-HALF, LOW PROFILE, MASS TERMINATION, AMP MODU, .100, WITH CENTER BAR POLARIZATION & EJECT HEADER END BLOCKS		
FINISH	DSGN APPD	OTHER APPD	SIZE <b>C</b>	FSCM NO <b>00779</b>	DRAWING NO <b>103316</b>
			SCALE	SHEET 1 OF 1	

## X-ON Electronics

Largest Supplier of Electrical and Electronic Components

*Click to view similar products for [Headers & Wire Housings](#) category:*

*Click to view products by [TE Connectivity](#) manufacturer:*

Other Similar products are found below :

[892-18-020-10-001101](#) [58102-G61-06LF](#) [582553-1](#) [0009485154](#) [009176003701906](#) [0050291907](#) [LY20-4P-DT1-P1E-BR](#) [02.125.8002.8](#)  
[609-3404](#) [61062-3](#) [61082-181009](#) [622-3653LF](#) [63453-116](#) [636-1030](#) [636-1427](#) [636-3427](#) [636-4007](#) [641938-9](#) [641991-4](#) [644827-2](#) [65817-](#)  
[010LF](#) [65817-015LF](#) [65863-015LF](#) [66207-023LF](#) [67095-007LF](#) [67601157](#) [68645-018](#) [68648-049](#) [70.362.1628.0](#) [70-4210](#) [70-4226B](#) [70-](#)  
[4853B](#) [707-5020](#) [707-5028](#) [71.350.2428.0](#) [71918-208LF](#) [71961-016LF](#) [733-134](#) [733-162](#) [754199-000](#) [760-3052](#) [787-8014-00](#) [79531-3000](#)  
[FCN-360C032-B](#) [FCN-367T-T012/H](#) [FCN-723D010/2](#) [80.063.4001.1](#) [800-90-001-10-001000](#) [800-90-010-10-002000](#) [801-43-002-10-013000](#)