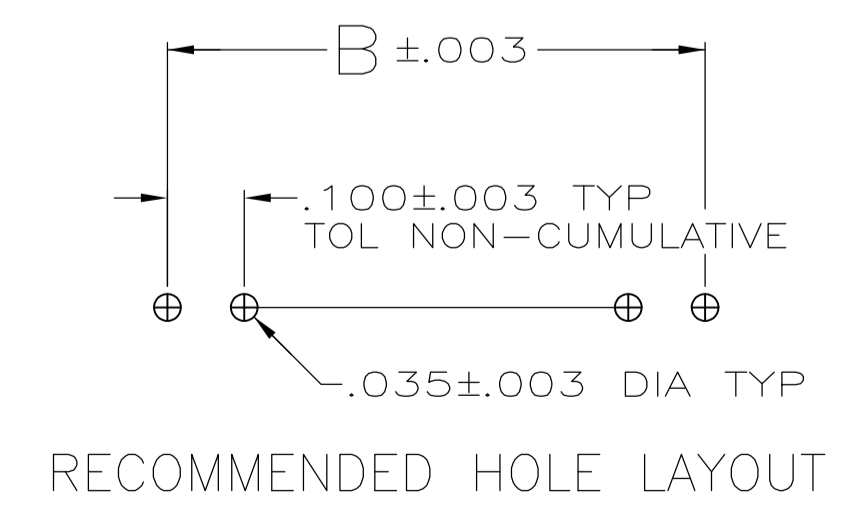


- 1 TRUE POSITION TOLERANCE OF THE POST TIPS APPLIES WHEN THE HEADERS ARE HELD FLAT AGAINST THE PRINTED CIRCUIT BOARD
- 2 ASSEMBLY MAY BE BROKEN TO THE DESIRED NUMBER OF POSITIONS
- 3 PACKAGE IN SINGLE TUBES
- 4 .000100-.000200 MATTE TIN-LEAD OVER .000050 NICKEL.
- 5 .000100-.000200 BRIGHT TIN OVER .000050 NICKEL.
- 6 PRELIMINARY PART - NOT RELEASED FOR PRODUCTION.
- 7 HOUSING MATERIAL: FLAME RETARDANT THERMOPLASTIC; COLOR-BLACK.
- 8 OBSOLETE PARTS: OBSOLETE CIS STREAMLINING PER D.RENAUD/D.SINISI



PLATING	REMARKS	C	B	A	NO OF POSN	PART NUMBER
	OBSOLETE	5	.484	.400	4	5-103321-3
		5	1.384	1.300	13	5-103321-2
		5	1.184	1.100	11	5-103321-1
		5	1.084	1.000	10	5-103321-0
		5	.884	.800	8	4-103321-9
		5	3.984	3.900	39	4-103321-8
		5	1.584	1.500	15	4-103321-7
		5	.784	.700	7	4-103321-6
		5	.284	.200	2	4-103321-5
		5	.184	.100	1	4-103321-4
		5	.084	—	—	4-103321-3
	SUPERSEDED BY 1-103321-4	3	1.384	1.300	13	4-103321-2
	SUPERSEDED BY 103321-3	3	.284	.200	2	4-103321-1
		4	3.984	3.900	39	4-103321-0
	OBSOLETE	4	3.884	3.800	38	3-103321-9
	OBSOLETE	4	3.784	3.700	37	3-103321-8
	OBSOLETE	4	3.684	3.600	36	3-103321-7
		4	3.584	3.500	35	3-103321-6
	OBSOLETE	4	3.484	3.400	34	3-103321-5
	OBSOLETE	4	3.384	3.300	33	3-103321-4
	OBSOLETE	4	3.284	3.200	32	3-103321-3
	OBSOLETE	4	3.184	3.100	31	3-103321-2
	OBSOLETE	4	3.084	3.000	30	3-103321-1
	OBSOLETE	4	2.984	2.900	29	3-103321-0
	OBSOLETE	4	2.884	2.800	28	2-103321-9
	OBSOLETE	4	2.784	2.700	27	2-103321-8
	OBSOLETE	4	2.684	2.600	26	2-103321-7
	OBSOLETE	4	2.584	2.500	25	2-103321-6
		4	2.484	2.400	24	2-103321-5
	OBSOLETE	4	2.384	2.300	23	2-103321-4
	OBSOLETE	4	2.284	2.200	22	2-103321-3
	OBSOLETE	4	2.184	2.100	21	2-103321-2
	OBSOLETE	4	2.084	2.000	20	2-103321-1
	SUPERSEDED BY 7-146274-0	4	1.984	1.900	19	2-103321-0
	OBSOLETE	4	1.884	1.800	18	1-103321-9
	OBSOLETE	4	1.784	1.700	17	1-103321-8
	OBSOLETE	4	1.684	1.600	16	1-103321-7
		4	1.584	1.500	15	1-103321-6
	OBSOLETE	4	1.484	1.400	14	1-103321-5
		4	1.384	1.300	13	1-103321-4
	OBSOLETE	4	1.284	1.200	12	1-103321-3
	OBSOLETE	4	1.184	1.100	11	1-103321-2
	OBSOLETE	4	1.084	1.000	10	1-103321-1
	OBSOLETE	4	.984	.900	9	1-103321-0
		4	.884	.800	8	103321-9
		4	.784	.700	7	103321-8
		4	.684	.600	6	103321-7
		4	.584	.500	5	103321-6
		4	.484	.400	4	103321-5
		4	.384	.300	3	103321-4
		4	.284	.200	2	103321-3
		4	.184	.100	1	103321-2
		4	.084	—	—	103321-1

THIS DRAWING IS A CONTROLLED DOCUMENT. DIN 150CT92
 J. MARTINELLI 23NOV92
 CJK JOHN KNITTLE 23NOV92
 APVO B. FLINCHBAUGH 23NOV92

TE Connectivity

ASSEMBLY, HEADER, BREAKAWAY, MOD II, SINGLE ROW, .100 C/L, VERTICAL, WITH .025 SQUARE POSTS

APPLICATION SPEC
 SIZE A1 CAGE CODE DRAWING NO 00779 C=103321
 WEIGHT — RESTRICTED TO —
 MATERIAL POST: COPPER ALLOY FINISH SEE TABLE WEIGHT —
 CUSTOMER DRAWING SCALE 4:1 SHEET 1 OF 1 REV R

X-ON Electronics

Largest Supplier of Electrical and Electronic Components

Click to view similar products for [Headers & Wire Housings](#) category:

Click to view products by [TE Connectivity](#) manufacturer:

Other Similar products are found below :

[892-18-020-10-001101](#) [58102-G61-06LF](#) [582553-1](#) [0009485154](#) [009176003701906](#) [0050291907](#) [LY20-4P-DT1-P1E-BR](#) [02.125.8002.8](#)
[609-3404](#) [61062-3](#) [61082-181009](#) [622-3653LF](#) [63453-116](#) [636-1030](#) [636-1427](#) [636-3427](#) [636-4007](#) [641938-9](#) [641991-4](#) [644827-2](#) [65817-010LF](#) [65817-015LF](#) [65863-015LF](#) [66207-023LF](#) [67095-007LF](#) [67601157](#) [68645-018](#) [68648-049](#) [70.362.1628.0](#) [70-4210](#) [70-4226B](#) [70-4853B](#) [707-5020](#) [707-5028](#) [71.350.2428.0](#) [71918-208LF](#) [71961-016LF](#) [733-134](#) [733-162](#) [754199-000](#) [760-3052](#) [787-8014-00](#) [79531-3000](#)
[FCN-360C032-B](#) [FCN-367T-T012/H](#) [FCN-723D010/2](#) [80.063.4001.1](#) [800-90-001-10-001000](#) [800-90-010-10-002000](#) [801-43-002-10-013000](#)