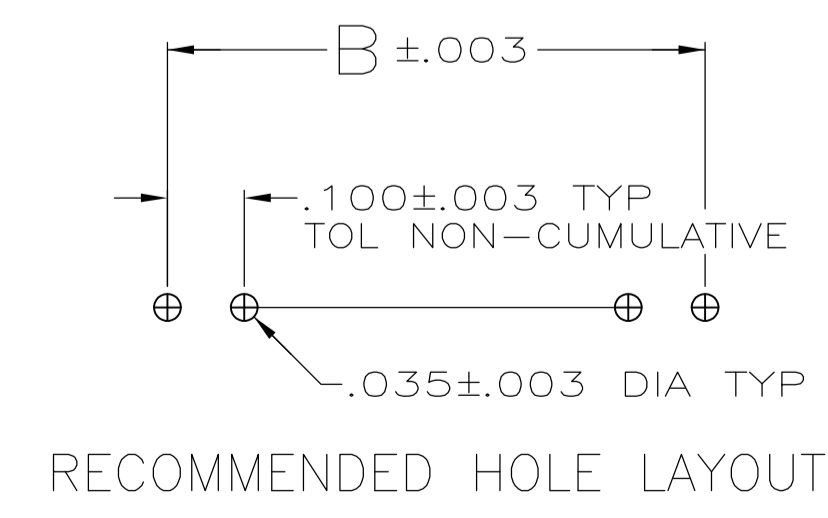


- 1 TRUE POSITION TOLERANCE OF THE POST TIPS APPLIES WHEN THE HEADERS ARE HELD FLAT AGAINST THE PRINTED CIRCUIT BOARD
- 2 ASSEMBLY MAY BE BROKEN TO THE DESIRED NUMBER OF POSITIONS
- 3 PACKAGE IN SINGLE TUBES
- 4 .000100-.000200 MATTE TIN-LEAD OVER .000050 NICKEL.
- 5 .000100-.000200 BRIGHT TIN OVER .000050 NICKEL.
- 6 PRELIMINARY PART - NOT RELEASED FOR PRODUCTION.
- 7 HOUSING MATERIAL: FLAME RETARDANT THERMOPLASTIC; COLOR-BLACK.
- 8 OBSOLETE PARTS: OBSOLETE CIS STREAMLINING PER D.RENAUD/D.SINISI



REV	DESCRIPTION	DATE	BY	APPV	C	B	A	NO OF POSN	PART NUMBER
OBSOLETE	5				.484	.400	4	5	5-103321-3
5	6	1.384	1.300	13	14	5-103321-2			
5	6	1.184	1.100	11	12	5-103321-1			
5	6	1.084	1.000	10	11	5-103321-0			
5	6	.884	.800	8	9	4-103321-9			
5		3.984	3.900	39	40	4-103321-8			
5		1.584	1.500	15	16	4-103321-7			
5		.784	.700	7	8	4-103321-6			
5		.284	.200	2	3	4-103321-5			
5		.184	.100	1	2	4-103321-4			
5	6	.084	—	—	1	4-103321-3			
SUPERSEDED BY 1-103321-4		1.384	1.300	13	14	4-103321-2			
SUPERSEDED BY 103321-3		.284	.200	2	3	4-103321-1			
4		3.984	3.900	39	40	4-103321-0			
4		3.884	3.800	38	39	3-103321-9			
4		3.784	3.700	37	38	3-103321-8			
4		3.684	3.600	36	37	3-103321-7			
4		3.584	3.500	35	36	3-103321-6			
4		3.484	3.400	34	35	3-103321-5			
4		3.384	3.300	33	34	3-103321-4			
4		3.284	3.200	32	33	3-103321-3			
4		3.184	3.100	31	32	3-103321-2			
4		3.084	3.000	30	31	3-103321-1			
4		2.984	2.900	29	30	3-103321-0			
4		2.884	2.800	28	29	2-103321-9			
4		2.784	2.700	27	28	2-103321-8			
4		2.684	2.600	26	27	2-103321-7			
4		2.584	2.500	25	26	2-103321-6			
4		2.484	2.400	24	25	2-103321-5			
4		2.384	2.300	23	24	2-103321-4			
4		2.284	2.200	22	23	2-103321-3			
4		2.184	2.100	21	22	2-103321-2			
4		2.084	2.000	20	21	2-103321-1			
SUPERSEDED BY 7-146274-0		1.984	1.900	19	20	2-103321-0			
4		1.884	1.800	18	19	1-103321-9			
4		1.784	1.700	17	18	1-103321-8			
4		1.684	1.600	16	17	1-103321-7			
4		1.584	1.500	15	16	1-103321-6			
4		1.484	1.400	14	15	1-103321-5			
4		1.384	1.300	13	14	1-103321-4			
4		1.284	1.200	12	13	1-103321-3			
4		1.184	1.100	11	12	1-103321-2			
4		1.084	1.000	10	11	1-103321-1			
4		.984	.900	9	10	1-103321-0			
4		.884	.800	8	9	103321-9			
4		.784	.700	7	8	103321-8			
4		.684	.600	6	7	103321-7			
4		.584	.500	5	6	103321-6			
4		.484	.400	4	5	103321-5			
4		.384	.300	3	4	103321-4			
4		.284	.200	2	3	103321-3			
4		.184	.100	1	2	103321-2			
4		.084	—	—	1	103321-1			

THIS DRAWING IS A CONTROLLED DOCUMENT.

INCHES: 0 PLC ± - 1 PLC ± - 2 PLC ± - 3 PLC ± .005 4 PLC ± - ANGLES ± -

TOLERANCES UNLESS OTHERWISE SPECIFIED:

MATERIAL: POST: COPPER ALLOY FINISH: SEE TABLE

WEIGHT: —

SIZE: A1

CAGE CODE: 00779

DRAWING NO: 103321

RESTRICTED TO: —

CUSTOMER DRAWING

SCALE: 4:1 SHEET: 1 OF 1 REV: R

DIN: J.MARTINELLI 15OCT92  
 CHK: JOHN KNITTLE 23NOV92  
 APVD: B.FLINCHBAUGH 23NOV92  
 NAME: ASSEMBLY, HEADER, BREAKAWAY, MOD II, SINGLE ROW, .100 C/L, VERTICAL, WITH .025 SQUARE POSTS

APPLIC. SPEC: —

STE TE Connectivity

## X-ON Electronics

Largest Supplier of Electrical and Electronic Components

*Click to view similar products for [Headers & Wire Housings](#) category:*

*Click to view products by [TE Connectivity](#) manufacturer:*

Other Similar products are found below :

[892-18-020-10-001101](#) [58102-G61-06LF](#) [582553-1](#) [0009485154](#) [009176003701906](#) [0050291907](#) [LY20-4P-DT1-P1E-BR](#) [02.125.8002.8](#)  
[609-3404](#) [61062-3](#) [61082-181009](#) [622-3653LF](#) [63453-116](#) [636-1030](#) [636-1427](#) [636-3427](#) [636-4007](#) [641938-9](#) [641991-4](#) [644827-2](#) [65817-010LF](#) [65817-015LF](#) [65863-015LF](#) [66207-023LF](#) [67095-007LF](#) [67601157](#) [68645-018](#) [68648-049](#) [70.362.1628.0](#) [70-4210](#) [70-4226B](#) [70-4853B](#) [707-5020](#) [707-5028](#) [71.350.2428.0](#) [71918-208LF](#) [71961-016LF](#) [733-134](#) [733-162](#) [754199-000](#) [760-3052](#) [787-8014-00](#) [79531-3000](#)  
[FCN-360C032-B](#) [FCN-367T-T012/H](#) [FCN-723D010/2](#) [80.063.4001.1](#) [800-90-001-10-001000](#) [800-90-010-10-002000](#) [801-43-002-10-013000](#)