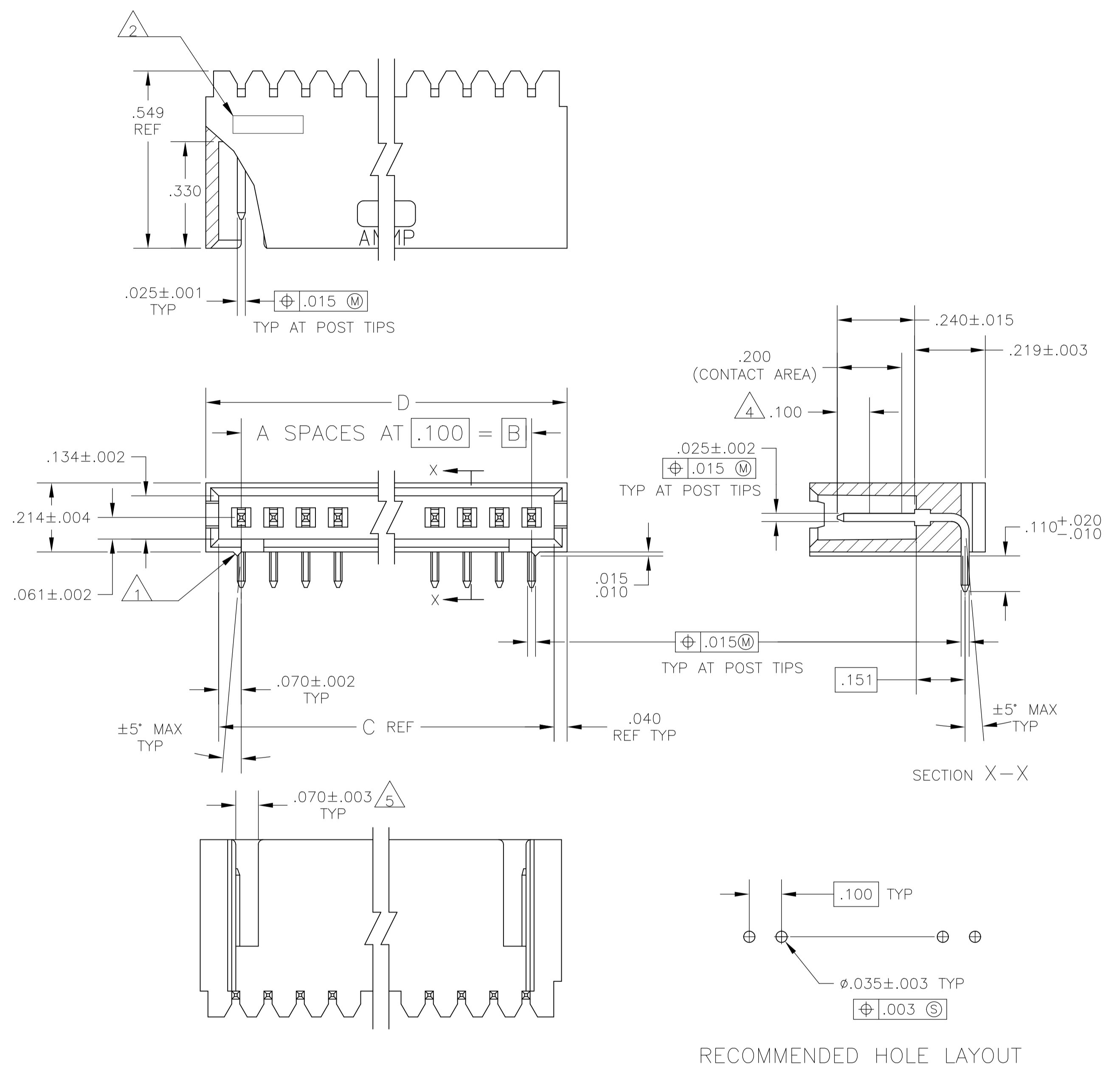


REVISIONS				
P	LTR	DESCRIPTION	DATE	APP'D
N3		PART STATUS UPDATED IN PART LIST TABLE	16FEB2018	SD PS



RECOMMENDED HOLE LAYOUT

- 1 STANDOFFS:  
3 TRHU 9 POSN - (2 REQD) ON OUTSIDE ENDS OF HOUSING  
10 THRU 18 POSN - (3 REQD) TWO ON OUTSIDE ENDS AND ONE CENTERED ON HOUSING  
19 POSN AND LARGER - (4 REQD) TWO ON OUTSIDE ENDS AND TWO EVENLY SPACED WITHIN REMAINING LENGTH OF HOUSING
- 2 RECESSED DATE CODE
- 3 .000030 GOLD IN CONTACT AREA, .000100-.000200 MATTE TIN-LEAD IN SOLDER AREA, ALL OVER .000050 MIN NICKEL
- 4 POINT OF MEASUREMENT FOR GOLD PLATING THICKNESS
- 5 FOR 3 POS ONLY, ONE SLOT .215 WIDE.
- 6 .000030 GOLD IN CONTACT AREA, .000100-.000200 MATTE TIN IN SOLDER AREA, ALL OVER .000050 MIN NICKEL
- 7 OBSOLETE PARTS: OBSOLETE CIS STREAMLINING PER D.RENAUD/D.SINISI

△ OBSOLETE	△	2.620	2.540	2.400	24	25	-7-103361-3
△	△	2.520	2.440	2.300	23	24	7-103361-2
△ OBSOLETE	△	2.420	2.340	2.200	22	23	-7-103361-1
△	△	2.320	2.240	2.100	21	22	-7-103361-0
△	△	2.220	2.140	2.000	20	21	-6-103361-9
△	△	2.120	2.040	1.900	19	20	6-103361-8
△ OBSOLETE	△	2.020	1.940	1.800	18	19	-6-103361-7
△	△	1.920	1.840	1.700	17	18	-6-103361-6
△	△	1.820	1.740	1.600	16	17	-6-103361-5
△	△	1.720	1.640	1.500	15	16	6-103361-4
△ OBSOLETE	△	1.620	1.540	1.400	14	15	-6-103361-3
△	△	1.520	1.440	1.300	13	14	6-103361-2
△ OBSOLETE	△	1.420	1.340	1.200	12	13	-6-103361-1
△	△	1.320	1.240	1.100	11	12	6-103361-0
△ OBSOLETE	△	1.220	1.140	1.000	10	11	-5-103361-9
△	△	1.120	1.040	.900	9	10	5-103361-8
△	△	1.020	.940	.800	8	9	5-103361-7
△	△	.920	.840	.700	7	8	5-103361-6
△	△	.820	.740	.600	6	7	5-103361-5
△	△	.720	.640	.500	5	6	5-103361-4
△	△	.620	.540	.400	4	5	5-103361-3
△	△	.520	.440	.300	3	4	5-103361-2
△	△	.420	.340	.200	2	3	5-103361-1
△ OBSOLETE	△	3.720	3.640	3.500	35	36	3-103361-4
△	△	3.620	3.540	3.400	34	35	3-103361-3
△	△	3.520	3.440	3.300	33	34	3-103361-2
△	△	3.420	3.340	3.200	32	33	3-103361-1
△	△	3.320	3.240	3.100	31	32	3-103361-0
△ OBSOLETE	△	3.220	3.140	3.000	30	31	2-103361-9
△	△	3.120	3.040	2.900	29	30	2-103361-8
△	△	3.020	2.940	2.800	28	29	2-103361-7
△	△	2.920	2.840	2.700	27	28	2-103361-6
△	△	2.820	2.740	2.600	26	27	2-103361-5
△	△	2.720	2.640	2.500	25	26	2-103361-4
△	△	2.620	2.540	2.400	24	25	2-103361-3
△	△	2.520	2.440	2.300	23	24	2-103361-2
△ OBSOLETE	△	2.420	2.340	2.200	22	23	-2-103361-1
△	△	2.320	2.240	2.100	21	22	-2-103361-0
△	△	2.220	2.140	2.000	20	21	1-103361-9
△	△	2.120	2.040	1.900	19	20	1-103361-8
△ OBSOLETE	△	2.020	1.940	1.800	18	19	1-103361-7
△	△	1.920	1.840	1.700	17	18	1-103361-6
△	△	1.820	1.740	1.600	16	17	1-103361-5
△	△	1.720	1.640	1.500	15	16	1-103361-4
△ OBSOLETE	△	1.620	1.540	1.400	14	15	1-103361-3
△	△	1.520	1.440	1.300	13	14	1-103361-2
△	△	1.420	1.340	1.200	12	13	1-103361-1
△	△	1.320	1.240	1.100	11	12	1-103361-0
△ OBSOLETE	△	1.220	1.140	1.000	10	11	103361-9
△	△	1.120	1.040	.900	9	10	103361-8
△	△	1.020	.940	.800	8	9	103361-7
△	△	.920	.840	.700	7	8	103361-6
△	△	.820	.740	.600	6	7	103361-5
△	△	.720	.640	.500	5	6	103361-4
△	△	.620	.540	.400	4	5	103361-3
△	△	.520	.440	.300	3	4	103361-2
△	△	.420	.340	.200	2	3	103361-1

PLATING	D	C	B	A	NO. OF POSN.	PART NO.

THIS DRAWING IS A CONTROLLED DOCUMENT.

DWN: S.A. SHUEY 28SEP89  
 DW: H. MOLL 30CT89  
 APVD: R. FLICKER 30CT89

TE Connectivity  
 HEADER ASSEMBLY, MOD II,  
 SINGLE ROW .100 CL, RIGHT ANGLE

PRODUCT SPEC: -  
 APPLICATION SPEC: -

MATERIAL HOUSING: FLAME RETARDANT THERMOPLASTIC COLOR: BLACK POSTS: PHOS BRONZE FINISH: SEE TABLE WEIGHT: -

SCALE: 4:1 SHEET: 1 OF 1 REV: N3

## X-ON Electronics

Largest Supplier of Electrical and Electronic Components

*Click to view similar products for [Headers & Wire Housings](#) category:*

*Click to view products by [TE Connectivity](#) manufacturer:*

Other Similar products are found below :

[892-18-020-10-001101](#) [58102-G61-06LF](#) [582553-1](#) [0009485154](#) [009176003701906](#) [0050291907](#) [LY20-4P-DT1-P1E-BR](#) [02.125.8002.8](#)  
[609-3404](#) [61062-3](#) [61082-181009](#) [622-3653LF](#) [63453-116](#) [636-1030](#) [636-1427](#) [636-3427](#) [636-4007](#) [641938-9](#) [641991-4](#) [644827-2](#) [65817-](#)  
[010LF](#) [65817-015LF](#) [65863-015LF](#) [66207-023LF](#) [67095-007LF](#) [67601157](#) [68645-018](#) [68648-049](#) [70.362.1628.0](#) [70-4210](#) [70-4226B](#) [70-](#)  
[4853B](#) [707-5020](#) [707-5028](#) [71.350.2428.0](#) [71918-208LF](#) [71961-016LF](#) [733-134](#) [733-162](#) [754199-000](#) [760-3052](#) [787-8014-00](#) [79531-3000](#)  
[FCN-360C032-B](#) [FCN-367T-T012/H](#) [FCN-723D010/2](#) [80.063.4001.1](#) [800-90-001-10-001000](#) [800-90-010-10-002000](#) [801-43-002-10-013000](#)