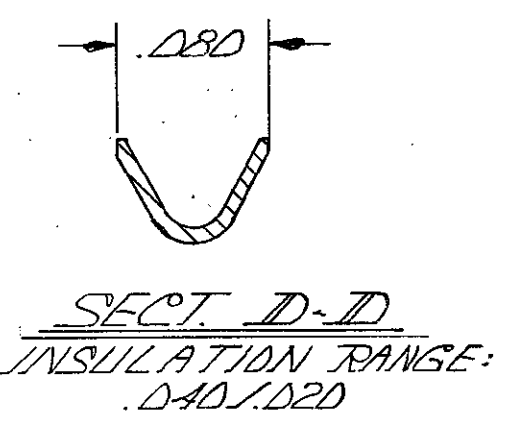
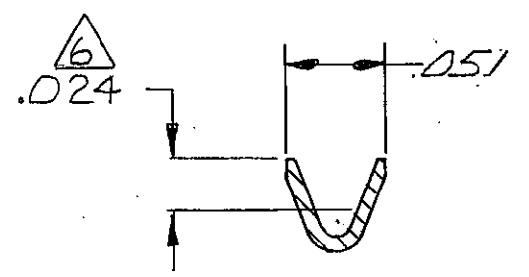
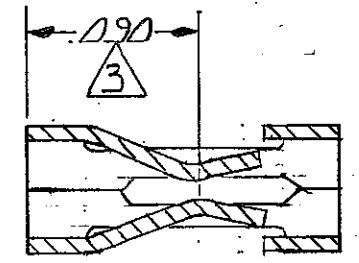
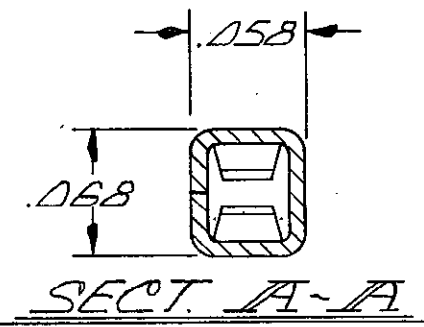
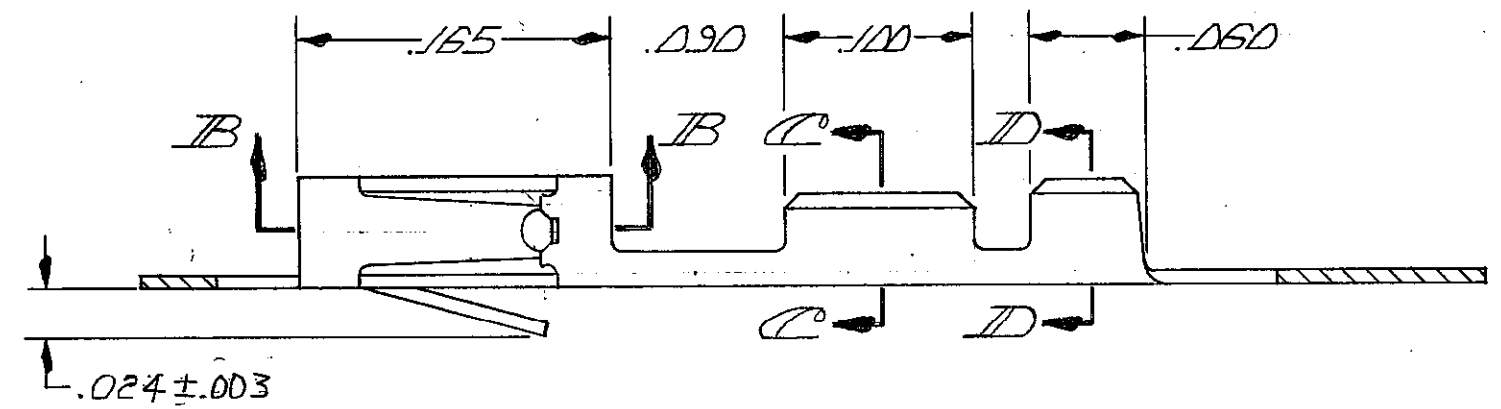
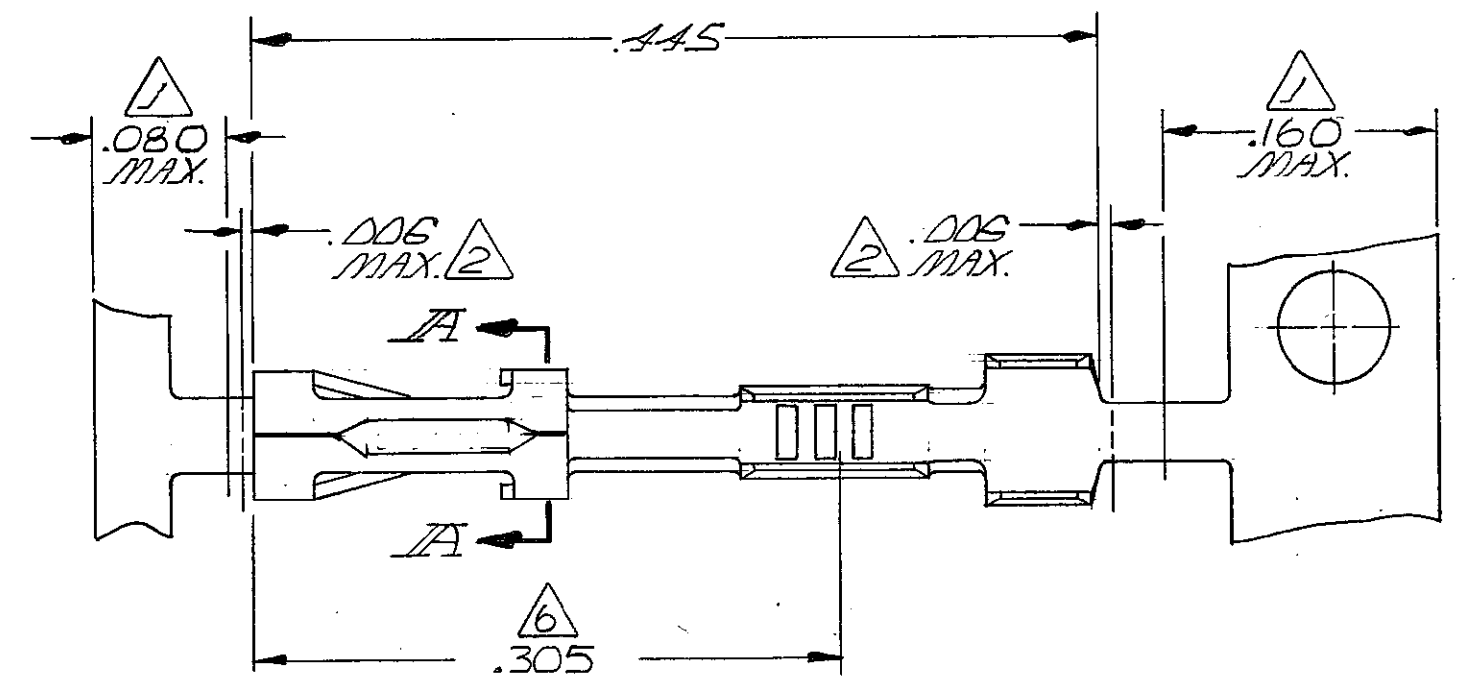


THIS DRAWING IS UNPUBLISHED. RELEASED FOR PUBLICATION, 19
 © COPYRIGHT 19 BY AMP INCORPORATED, HARRISBURG, PA. ALL INTERNATIONAL RIGHTS RESERVED. AMP PRODUCTS MAY BE COVERED BY U.S. AND FOREIGN PATENTS AND/OR PATENTS PENDING.

REVISIONS					
P	F	ZONE	LTR	DESCRIPTION	DATE APPROVED
0	✓		D	RELEASED	
01	✓		01	REV PER ECN 708	WBL 6-24-88 JGH
02	✓		02	REV ECN 980	Hm 3-24-88 JCG
A	✓		A	REVECN AR2029	DK 9-28-88 JCG
B	✓		B	REV ECN AR2149	D/K 10-31-88 JCG
C	✓		C	REV LOC & DIST AD-4171	11-27-89 BF
D	✓		D	REV PER AD-5350	2-10-91 JLG
E	✓		E	OBS -4 PER 0010-0976-93	1-13-93 JH/PS
F	✓		F	REV PER 0010-0312-96	1-21-97 CB/JS

- 1 GOLD PLATING NOT REQUIRED IN THIS AREA.
- 2 LOOSE PIECE CUT-OFF DIMENSION.
- 3 POINT OF MEASUREMENT FOR PLATING THICKNESS (INSIDE BEAMS)
- 4 .00030 GOLD IN CONTACT AREA, GOLD FLASH ON REMAINDER OF TERMINAL, ALL OVER .00050 NICKEL.
- 5 .000100+.000200 BRIGHT TIN-LEAD OVER .00050 NICKEL.
- 6 POINT OF MEASUREMENT FOR PLATING THICKNESS (INSIDE BARREL)
- 7 OBSOLETE PART NO.



AMP 103455-2	AMP 103455-1
LOOSE PIECE PART NO.	FINISH PART NO.

UNLESS OTHERWISE SPECIFIED DIMENSIONS ARE IN INCHES. TOLERANCES ON: DECIMALS ± .005 ANGLES ±	CONTRACT NO	AMP INCORPORATED Harrisburg, Pa. 17105		
	DR [Signature]			NAME CONTACT, MOD II, CRIMP SNAP-IN, STRIP
MATERIAL PHOS. BRONZE, .008 THICK.	CHK [Signature] 6/08/84	SIZE C	FSCM NO 00779	DRAWING NO 103455
FINISH SEE TABLE	APPD [Signature] 7/2/84	SCALE 10:1	SHEET 1 OF 1	
	DSGN APPD [Signature] 7/12/84	CUSTOMER DRAWING		
	OTHER APPD			

103455

X-ON Electronics

Largest Supplier of Electrical and Electronic Components

Click to view similar products for [Headers & Wire Housings](#) category:

Click to view products by [TE Connectivity](#) manufacturer:

Other Similar products are found below :

[892-18-020-10-001101](#) [58102-G61-06LF](#) [582553-1](#) [0009485154](#) [009176003701906](#) [0050291907](#) [LY20-4P-DT1-P1E-BR](#) [02.125.8002.8](#)
[609-3404](#) [61062-3](#) [61082-181009](#) [622-3653LF](#) [63453-116](#) [636-1030](#) [636-1427](#) [636-3427](#) [636-4007](#) [641938-9](#) [641991-4](#) [644827-2](#) [65817-](#)
[010LF](#) [65817-015LF](#) [65863-015LF](#) [66207-023LF](#) [67095-007LF](#) [67601157](#) [68645-018](#) [68648-049](#) [70.362.1628.0](#) [70-4210](#) [70-4226B](#) [70-](#)
[4853B](#) [707-5020](#) [707-5028](#) [71.350.2428.0](#) [71918-208LF](#) [71961-016LF](#) [733-134](#) [733-162](#) [754199-000](#) [760-3052](#) [787-8014-00](#) [79531-3000](#)
[FCN-360C032-B](#) [FCN-367T-T012/H](#) [FCN-723D010/2](#) [80.063.4001.1](#) [800-90-001-10-001000](#) [800-90-010-10-002000](#) [801-43-002-10-013000](#)