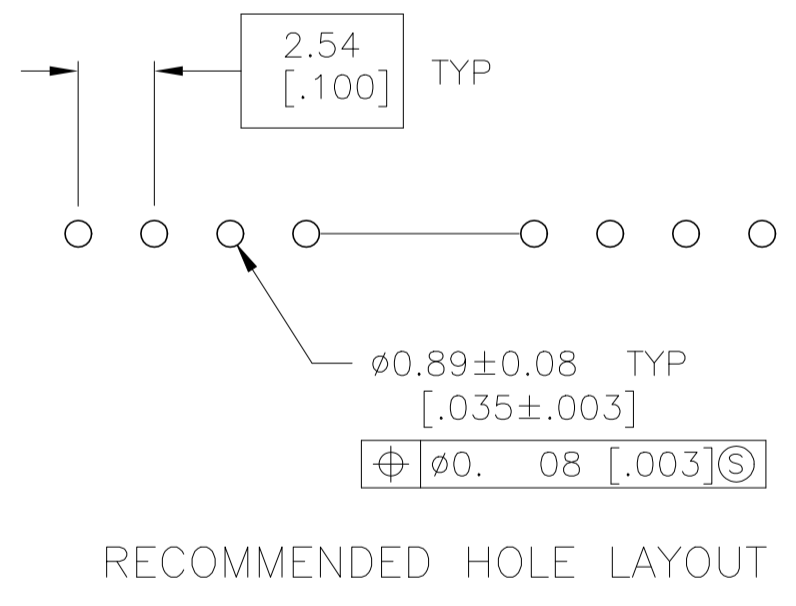
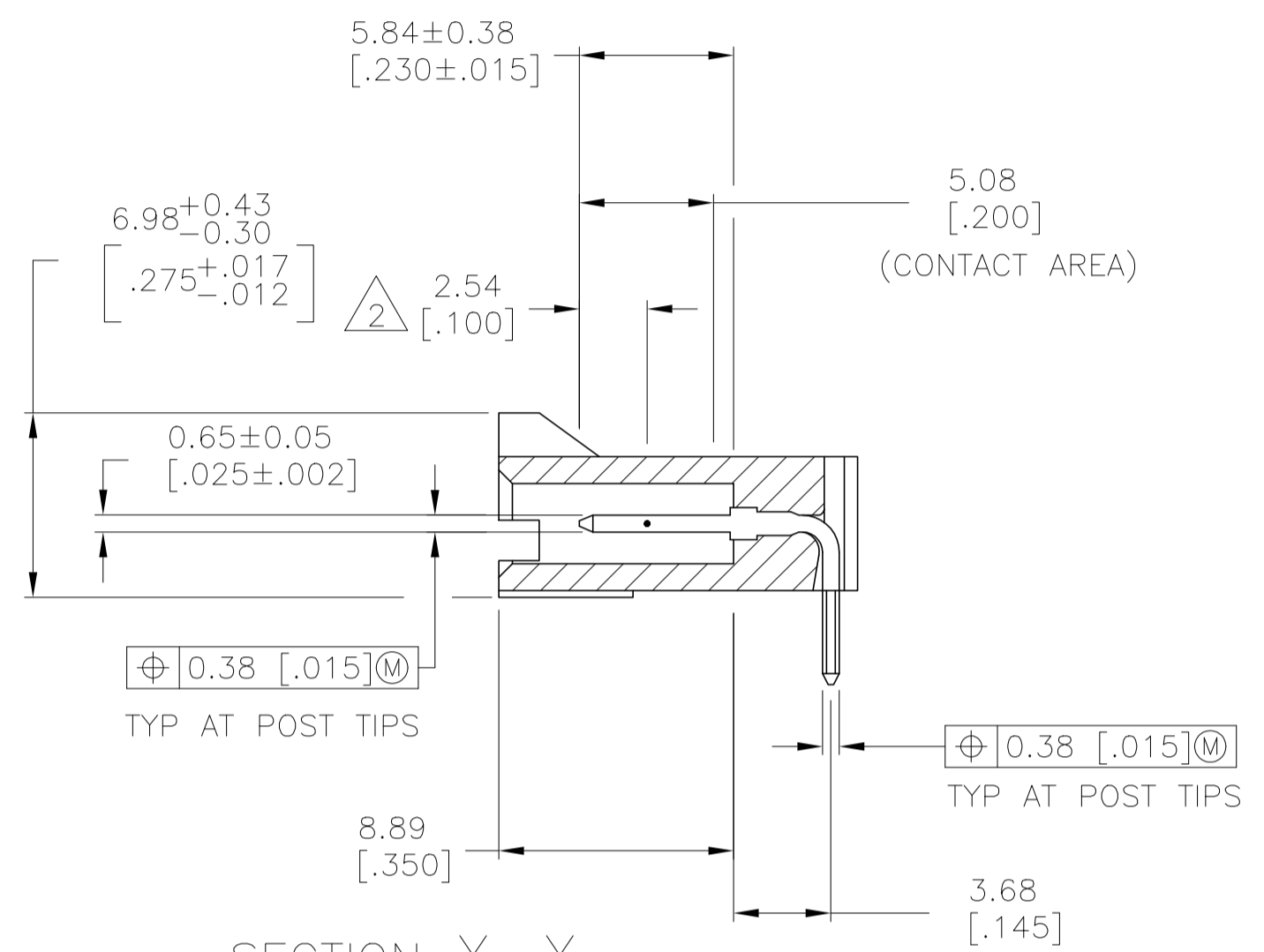
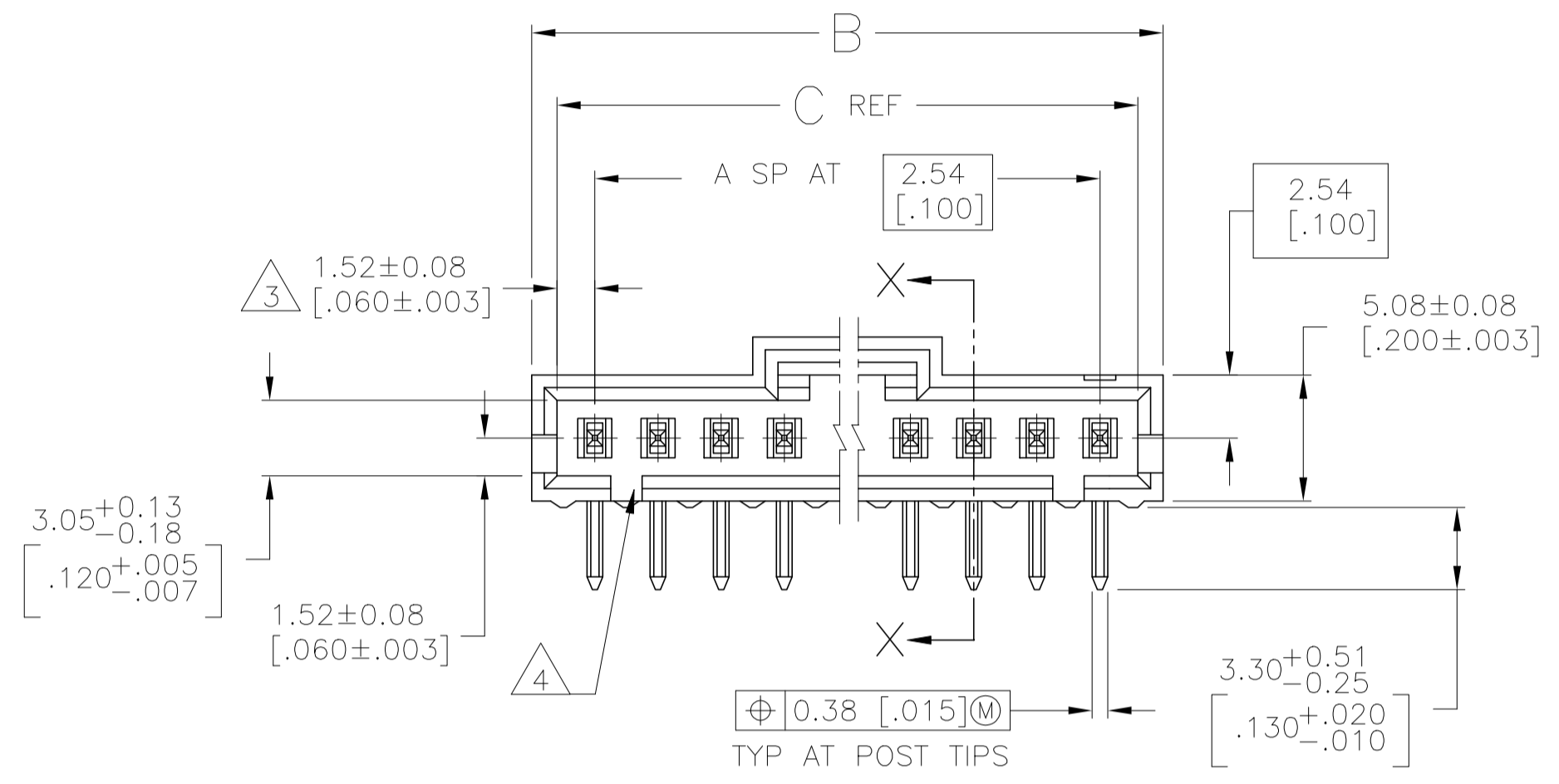
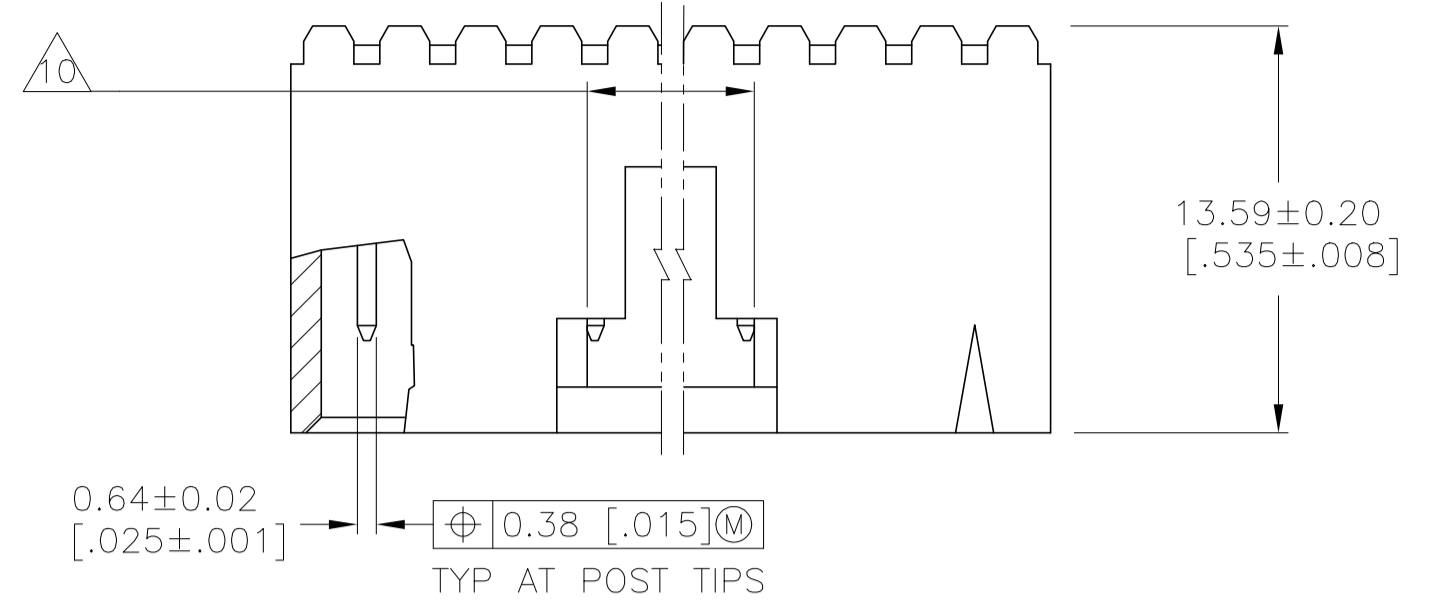


| REVISIONS |     |                           |           |     |      |
|-----------|-----|---------------------------|-----------|-----|------|
| P         | LTR | DESCRIPTION               | DATE      | DRN | APVD |
| V         |     | REVISED PER ECO-17-002584 | 08APR2017 | BDA | MM   |
| W         |     | REVISED PER ECO-20-001323 | 29MAY2020 | SM  | JO   |

- 1 .000100 BRIGHT TIN-LEAD OVER .000050 NICKEL.
- 2 POINT OF MEASUREMENT FOR PLATING THICKNESS.
- 3 THE NOTED DIMENSIONS APPLY AT THE INTERSECTION OF THE POST AND THE HOUSING.
- 4 ON ASSEMBLIES WITH FOUR OR MORE POSITIONS, TWO POLARIZATION SLOTS. ON ASSEMBLIES WITH TWO OR THREE POSITIONS, ONE POLARIZATION SLOT.
- 5 .000100 BRIGHT TIN OVER .000050 NICKEL.
- 6 PRELIMINARY PART - NOT RELEASED FOR PRODUCTION.
- 7 .000100 MATTE TIN OVER .000050 NICKEL.
- 8 HIGH TEMPERATURE CONFIGURATION
- 9 OBSOLETE PARTS: OBSOLETE CIS STREAMLINING PER D.RENAUD/D.SINISI
- 10 0.25 [.10] RECESS PERMISSIBLE IN THIS AREA FOR MOLD SHUT OFF



| REMARKS | PLATING | C             | B             | A  | NO. OF POSN | PART NO.   |
|---------|---------|---------------|---------------|----|-------------|------------|
|         |         | 64.01 [2.520] | 65.91 [2.595] | 24 | 25          | 7-103634-4 |
|         |         | 61.47 [2.420] | 63.37 [2.495] | 23 | 24          | 7-103634-3 |
|         |         | 58.93 [2.320] | 60.83 [2.395] | 22 | 23          | 7-103634-2 |
|         |         | 56.39 [2.220] | 58.29 [2.295] | 21 | 22          | 7-103634-1 |
|         |         | 53.85 [2.120] | 55.75 [2.195] | 20 | 21          | 7-103634-0 |
|         |         | 51.31 [2.020] | 53.21 [2.095] | 19 | 20          | 6-103634-9 |
|         |         | 48.77 [1.920] | 50.67 [1.995] | 18 | 19          | 6-103634-8 |
|         |         | 46.23 [1.820] | 48.13 [1.895] | 17 | 18          | 6-103634-7 |
|         |         | 43.69 [1.720] | 45.59 [1.795] | 16 | 17          | 6-103634-6 |
|         |         | 41.15 [1.620] | 43.05 [1.695] | 15 | 16          | 6-103634-5 |
|         |         | 38.61 [1.520] | 40.51 [1.595] | 14 | 15          | 6-103634-4 |
|         |         | 36.07 [1.420] | 37.97 [1.495] | 13 | 14          | 6-103634-3 |
|         |         | 33.53 [1.320] | 35.43 [1.395] | 12 | 13          | 6-103634-2 |
|         |         | 30.99 [1.220] | 32.89 [1.295] | 11 | 12          | 6-103634-1 |
|         |         | 28.45 [1.120] | 30.35 [1.195] | 10 | 11          | 6-103634-0 |
|         |         | 25.91 [1.020] | 27.81 [1.095] | 9  | 10          | 5-103634-9 |
|         |         | 23.37 [.920]  | 25.27 [.995]  | 8  | 9           | 5-103634-8 |
|         |         | 20.83 [.820]  | 22.73 [.895]  | 7  | 8           | 5-103634-7 |
|         |         | 18.29 [.720]  | 20.19 [.795]  | 6  | 7           | 5-103634-6 |
|         |         | 15.75 [.620]  | 17.65 [.695]  | 5  | 6           | 5-103634-5 |
|         |         | 13.21 [.520]  | 15.11 [.595]  | 4  | 5           | 5-103634-4 |
|         |         | 10.67 [.420]  | 12.57 [.495]  | 3  | 4           | 5-103634-3 |
|         |         | 8.13 [.320]   | 10.03 [.395]  | 2  | 3           | 5-103634-2 |
|         |         | 5.59 [.220]   | 7.49 [.295]   | 1  | 2           | 5-103634-1 |

9 SUPERCEDED BY 7-103634-4

OBSOLETE

9 SUPERCEDED BY 6-103634-6

| REMARK | PLATING | C             | B             | A  | NO. OF POSN | PART NO.   |
|--------|---------|---------------|---------------|----|-------------|------------|
|        |         | 30.99 [1.220] | 32.89 [1.295] | 11 | 12          | 3-103634-4 |
|        |         | 25.91 [1.020] | 27.81 [1.095] | 9  | 10          | 3-103634-3 |
|        |         | 23.37 [.920]  | 25.27 [.995]  | 8  | 9           | 3-103634-2 |
|        |         | 18.29 [.720]  | 20.19 [.795]  | 6  | 7           | 3-103634-1 |
|        |         | 15.75 [.620]  | 17.65 [.695]  | 5  | 6           | 3-103634-0 |
|        |         | 5.59 [.220]   | 7.49 [.295]   | 1  | 2           | 2-103634-9 |
|        |         | 41.15 [1.620] | 43.05 [1.695] | 15 | 16          | 2-103634-8 |
|        |         | 13.21 [.520]  | 15.11 [.595]  | 4  | 5           | 2-103634-7 |
|        |         | 10.67 [.420]  | 12.57 [.495]  | 3  | 4           | 2-103634-6 |
|        |         | 8.13 [.320]   | 10.03 [.395]  | 2  | 3           | 2-103634-5 |
|        |         | 64.01 [2.520] | 65.91 [2.595] | 24 | 25          | 2-103634-4 |
|        |         | 61.47 [2.420] | 63.37 [2.495] | 23 | 24          | 2-103634-3 |
|        |         | 58.93 [2.320] | 60.83 [2.395] | 22 | 23          | 2-103634-2 |
|        |         | 56.39 [2.220] | 58.29 [2.295] | 21 | 22          | 2-103634-1 |
|        |         | 53.85 [2.120] | 55.75 [2.195] | 20 | 21          | 2-103634-0 |
|        |         | 51.31 [2.020] | 53.21 [2.095] | 19 | 20          | 1-103634-9 |
|        |         | 48.77 [1.920] | 50.67 [1.995] | 18 | 19          | 1-103634-8 |
|        |         | 46.23 [1.820] | 48.13 [1.895] | 17 | 18          | 1-103634-7 |
|        |         | 43.69 [1.720] | 45.59 [1.795] | 16 | 17          | 1-103634-6 |
|        |         | 41.15 [1.620] | 43.05 [1.695] | 15 | 16          | 1-103634-5 |
|        |         | 38.61 [1.520] | 40.51 [1.595] | 14 | 15          | 1-103634-4 |
|        |         | 36.07 [1.420] | 37.97 [1.495] | 13 | 14          | 1-103634-3 |
|        |         | 33.53 [1.320] | 35.43 [1.395] | 12 | 13          | 1-103634-2 |
|        |         | 30.99 [1.220] | 32.89 [1.295] | 11 | 12          | 1-103634-1 |
|        |         | 28.45 [1.120] | 30.35 [1.195] | 10 | 11          | 1-103634-0 |
|        |         | 25.91 [1.020] | 27.81 [1.095] | 9  | 10          | 103634-9   |
|        |         | 23.37 [.920]  | 25.27 [.995]  | 8  | 9           | 103634-8   |
|        |         | 20.83 [.820]  | 22.73 [.895]  | 7  | 8           | 103634-7   |
|        |         | 18.29 [.720]  | 20.19 [.795]  | 6  | 7           | 103634-6   |
|        |         | 15.75 [.620]  | 17.65 [.695]  | 5  | 6           | 103634-5   |
|        |         | 13.21 [.520]  | 15.11 [.595]  | 4  | 5           | 103634-4   |
|        |         | 10.67 [.420]  | 12.57 [.495]  | 3  | 4           | 103634-3   |
|        |         | 8.13 [.320]   | 10.03 [.395]  | 2  | 3           | 103634-2   |
|        |         | 5.59 [.220]   | 7.49 [.295]   | 1  | 2           | 103634-1   |

THIS DRAWING IS A CONTROLLED DOCUMENT.

DRN: S. SHUEY 3-5-91  
 DWR: L. CASTAGNA 3-27-91  
 APVD: L. CASTAGNA 3-27-91

TE Connectivity

HDRASSY, RTANGLE, SINGLEROW, 2.54[.100]C/LO.64[.025]SOPST, WITHPLZN&LATCHING, AMPMODUMTE

108-25034  
 114-25026

SCALE: 4:1 SHEET 1 OF 1 REV W

## X-ON Electronics

Largest Supplier of Electrical and Electronic Components

*Click to view similar products for [Headers & Wire Housings](#) category:*

*Click to view products by [TE Connectivity](#) manufacturer:*

Other Similar products are found below :

[892-18-020-10-001101](#) [58102-G61-06LF](#) [582553-1](#) [0009485154](#) [009176003701906](#) [0050291907](#) [LY20-4P-DT1-P1E-BR](#) [02.125.8002.8](#)  
[609-3404](#) [61062-3](#) [61082-181009](#) [622-3653LF](#) [63453-116](#) [636-1030](#) [636-1427](#) [636-3427](#) [636-4007](#) [641938-9](#) [641991-4](#) [644827-2](#) [65817-010LF](#) [65817-015LF](#) [65863-015LF](#) [66207-023LF](#) [67095-007LF](#) [67601157](#) [68645-018](#) [68648-049](#) [70.362.1628.0](#) [70-4210](#) [70-4226B](#) [70-4853B](#) [707-5020](#) [707-5028](#) [71.350.2428.0](#) [71918-208LF](#) [71961-016LF](#) [733-134](#) [733-162](#) [754199-000](#) [760-3052](#) [787-8014-00](#) [79531-3000](#)  
[FCN-360C032-B](#) [FCN-367T-T012/H](#) [FCN-723D010/2](#) [80.063.4001.1](#) [800-90-001-10-001000](#) [800-90-010-10-002000](#) [801-43-002-10-013000](#)