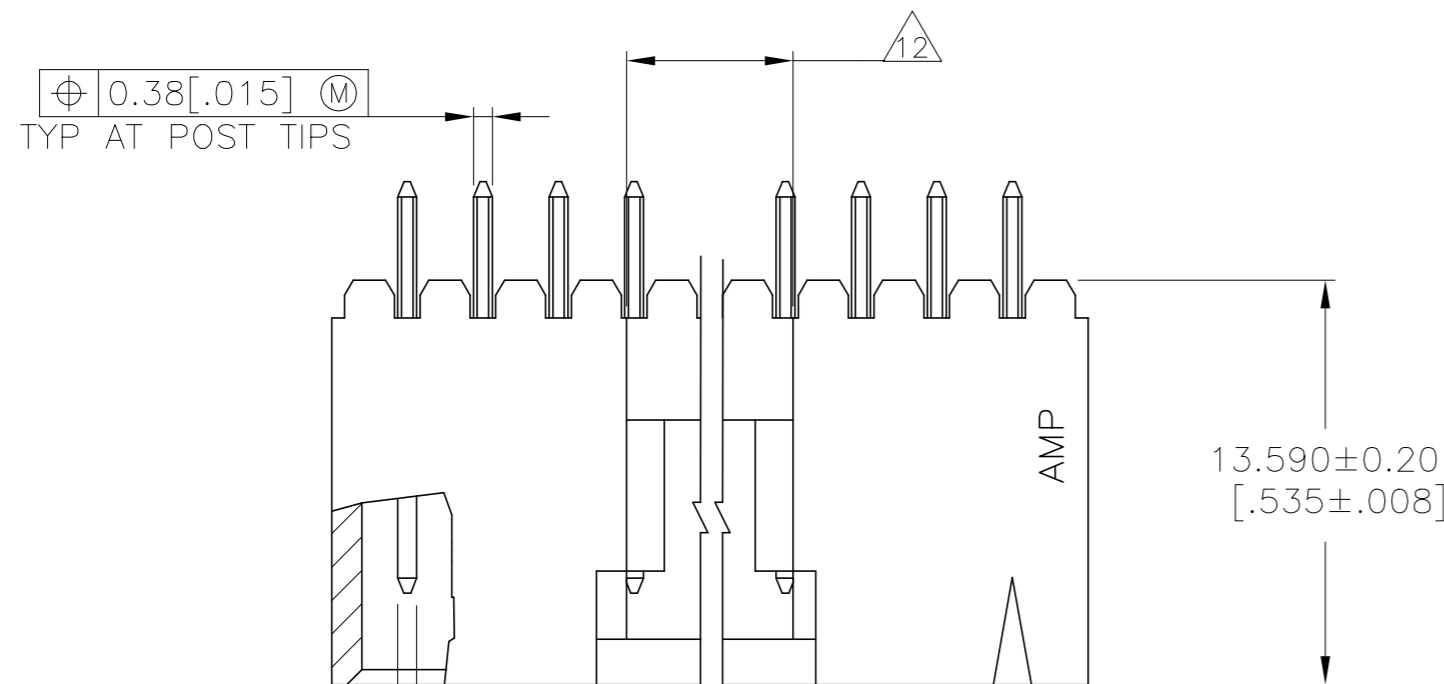
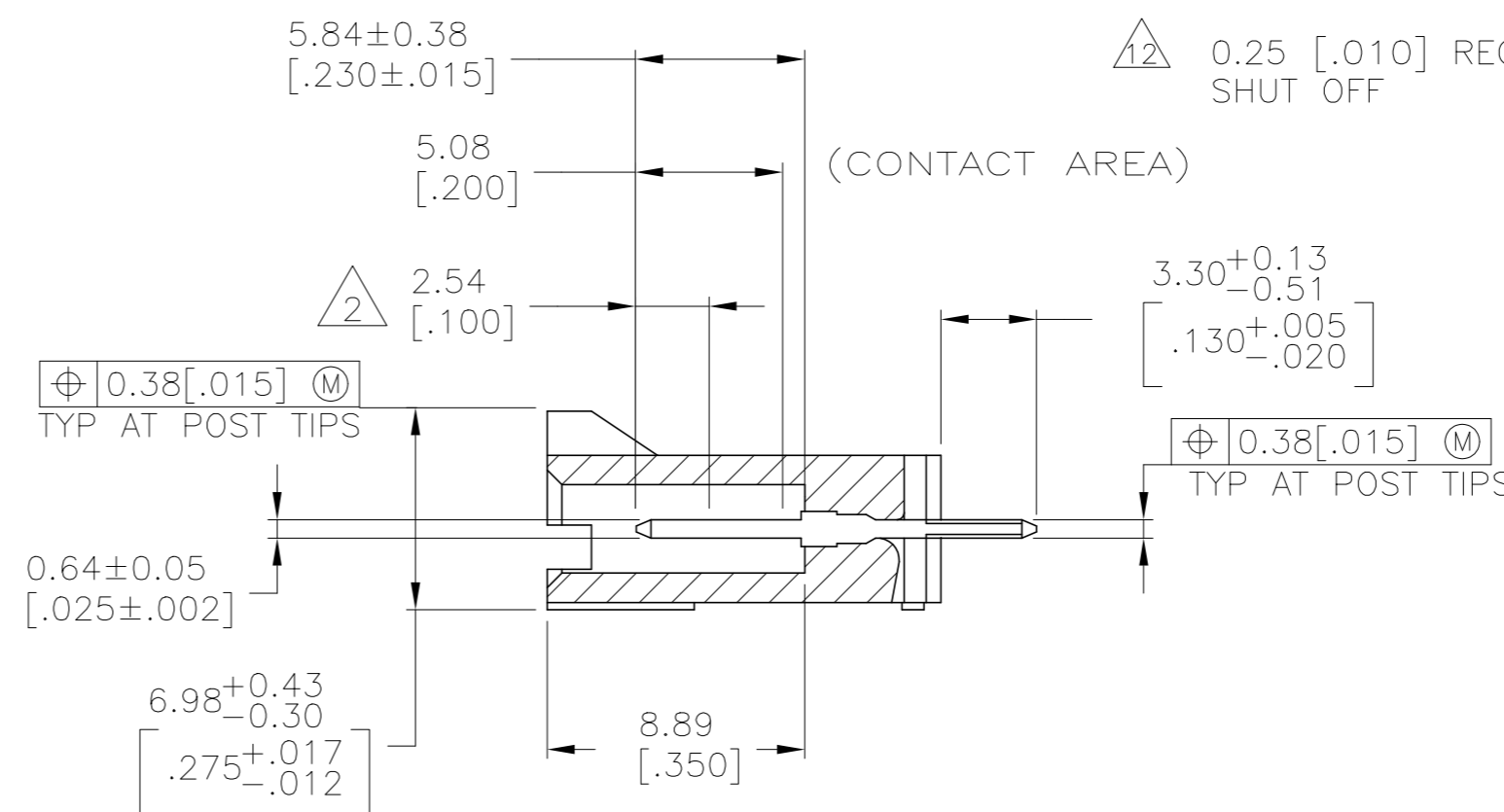
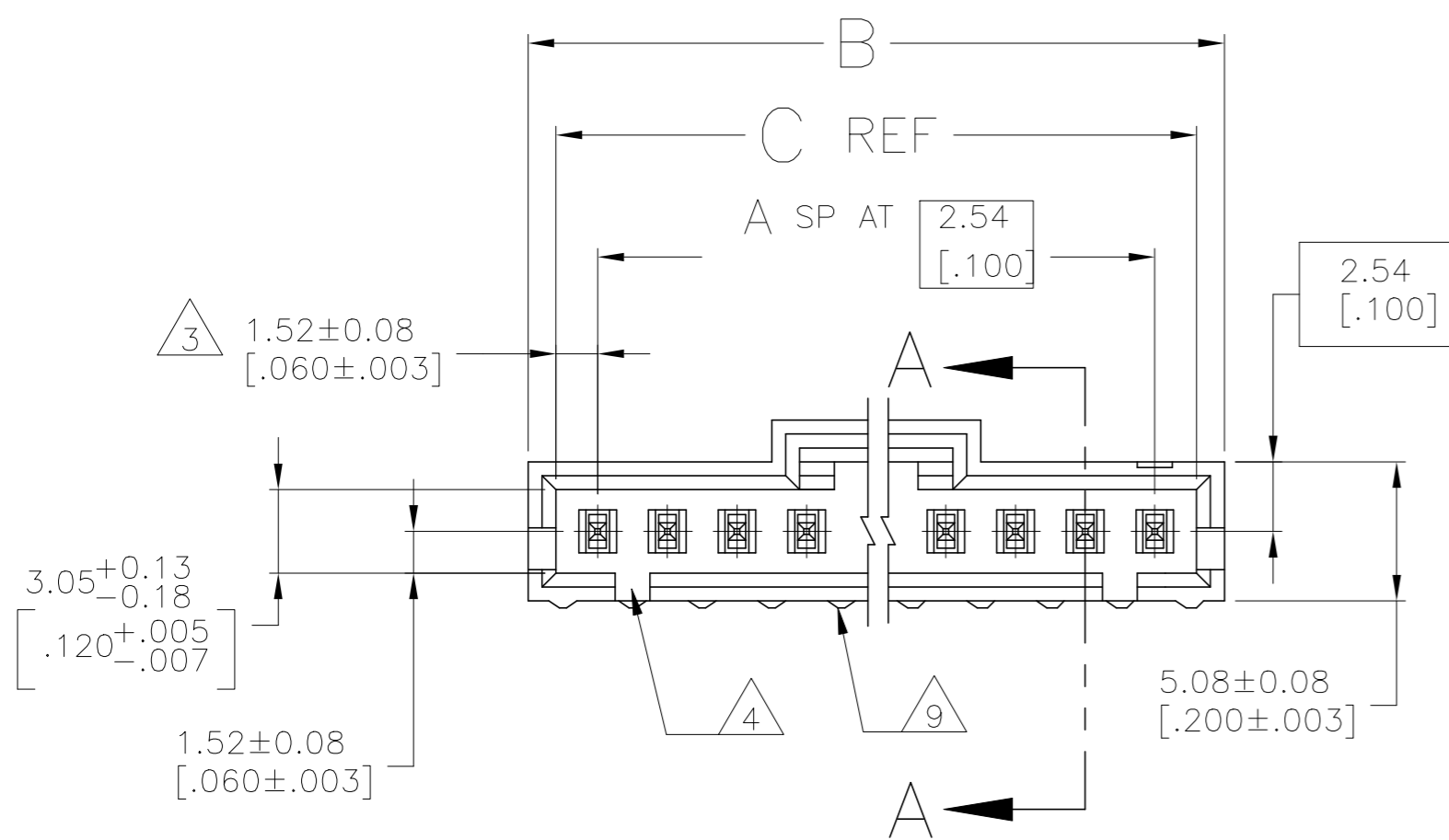


THIS DRAWING IS UNPUBLISHED. RELEASED FOR PUBLICATION 103639, 103639
 © COPYRIGHT 103639MM ALL RIGHTS RESERVED.

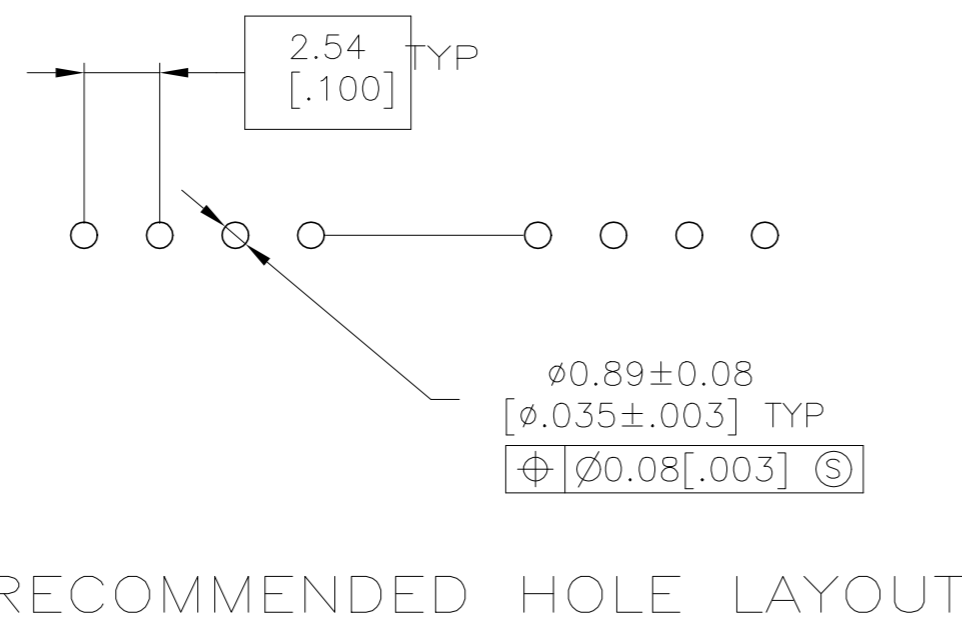
REVISIONS					
P	LTR	DESCRIPTION	DATE	DWN	APVD
Z		REVISED PER ECO-17-015890	31OCT2017	RS	MM
AA		REVISED PER ECO-20-001323	17JUN2020	SM	JO



0.64 ± 0.02 [.025 ± .001] $\oplus 0.38 [0.015] \text{ M}$
 TYP AT POST TIPS



SECTION A-A



- 1 .000100 BRIGHT TIN-LEAD OVER .000050 NICKEL.
- 2 POINT OF MEASUREMENT FOR PLATING THICKNESS.
- 3 THE NOTED DIMENSIONS APPLY AT THE INTERSECTION OF THE POST AND THE HOUSING.
- 4 ON ASSEMBLIES WITH FOUR OR MORE POSITIONS, TWO POLARIZATION SLOTS. ON ASSEMBLIES WITH TWO OR THREE POSITIONS, ONE POLARIZATION SLOT.
- 5 .000100 BRIGHT TIN OVER .000050 NICKEL.
- 6 PRELIMINARY PART-NOT RELEASED FOR PRODUCTION.
- 7 .000100 MATTE TIN OVER .000050 NICKEL.
- 8 HIGH TEMPERATURE CONFIGURATION
- 9 STANDOFFS NOT PRESENT ON UNDERSIDE OF ASSEMBLY
- 10 SUPERSEDED BY P/N 5-103639-2.
- 11 OBSOLETE PARTS: OBSOLETE CIS STREAMLINING PER D.RENAUD/D.SINISI
- 12 0.25 [.010] RECESS PERMISSIBLE IN THIS AREA FOR MOLD SHUT OFF

THIS DRAWING IS A CONTROLLED DOCUMENT.		DWN S.SHUEY 05MAR91		
DIMENSIONS: mm [INCHES]		CHK L.CASTAGNA 27MAR93		
TOLERANCES UNLESS OTHERWISE SPECIFIED:		APVD L.CASTAGNA 27MAR93	NAME	
0 PLC ± -		PRODUCT SPEC	HDR ASY,VERT,SNGL ROW	
1 PLC ± -		108-25034	2.54[100] C/L 0.64[025] SQ PST,	
2 PLC ± 0.13[.005]		APPLICATION SPEC	WITH PLZN<CHNG,AMPMODU MTE	
3 PLC ± -		114-25026	SIZE	CAGE CODE
4 PLC ± -		WEIGHT	A2	-
ANGLES ± -		CUSTOMER DRAWING	SCALE	SHEET
MATERIAL HOUSING: SEE TABLE		RESTRICTED TO	4:1	1 of 2
				REV AA

THIS DRAWING IS UNPUBLISHED. RELEASED FOR PUBLICATION 103639 , 103639
 © COPYRIGHT 103639y - ALL RIGHTS RESERVED.

REVISIONS					
P	LTR	DESCRIPTION	DATE	DWN	APVD
-	-	SEE SHEET 1	-	-	-

REMARKS	PLATING	C	B	A	NO. OF POSN	PART NO.
OBSELETE						7-103639-4
OBSELETE						7-103639-3
OBSELETE						7-103639-2
						7-103639-1
OBSELETE						7-103639-0
						6-103639-9
OBSELETE						6-103639-8
OBSELETE						6-103639-7
						6-103639-6
						6-103639-5
						6-103639-4
						6-103639-3
						6-103639-2
						6-103639-1
						6-103639-0
						5-103639-9
						5-103639-8
						5-103639-7
						5-103639-6
						5-103639-5
						5-103639-4
						5-103639-3
						5-103639-2
						5-103639-1

11 SUPERSEDED BY 7-103639-1
 11 SUPERSEDED BY 6-103639-0

						3-103639-3
						3-103639-2
						3-103639-1
						3-103639-0
						2-103639-9
						2-103639-8
						2-103639-7
						2-103639-6
						2-103639-5
						2-103639-4
						2-103639-3
						2-103639-2
						2-103639-1
						2-103639-0
						1-103639-9
						1-103639-8
						1-103639-7
						1-103639-6
						1-103639-5
						1-103639-4
						1-103639-3
						1-103639-2
						1-103639-1
						1-103639-0
						103639-9
						103639-8
						103639-7
						103639-6
						103639-5
						103639-4
						103639-3
						103639-2
						103639-1

THIS DRAWING IS A CONTROLLED DOCUMENT. DWN S.SHUEY 05MAR91
 CHK L.CASTAGNA 27MAR93
 APVD L.CASTAGNA 27MAR93

TE TE Connectivity

HDR ASY,VERT,SNGL ROW
 2.54[.100]C/L 0.64[.025]JSQ PST,
 WITH PLZN<CHNG,AMP MODU MTE

PRODUCT SPEC 108-25034
 APPLICATION SPEC 114-25026

MATERIAL HOUSING: SEE TABLE WEIGHT: - SIZE: A2 CAGE CODE: - DRAWING NO: 103639 RESTRICTED TO: -
 CUSTOMER DRAWING SCALE: 1:1 SHEET: 2 of 2 REV: AA

X-ON Electronics

Largest Supplier of Electrical and Electronic Components

Click to view similar products for [Headers & Wire Housings](#) category:

Click to view products by [TE Connectivity](#) manufacturer:

Other Similar products are found below :

[892-18-020-10-001101](#) [58102-G61-06LF](#) [582553-1](#) [0009485154](#) [009176003701906](#) [0050291907](#) [LY20-4P-DT1-P1E-BR](#) [02.125.8002.8](#)
[609-3404](#) [61062-3](#) [61082-181009](#) [622-3653LF](#) [63453-116](#) [636-1030](#) [636-1427](#) [636-3427](#) [636-4007](#) [641938-9](#) [641991-4](#) [644827-2](#) [65817-](#)
[010LF](#) [65817-015LF](#) [65863-015LF](#) [66207-023LF](#) [67095-007LF](#) [67601157](#) [68645-018](#) [68648-049](#) [70.362.1628.0](#) [70-4210](#) [70-4226B](#) [70-](#)
[4853B](#) [707-5020](#) [707-5028](#) [71.350.2428.0](#) [71918-208LF](#) [71961-016LF](#) [733-134](#) [733-162](#) [754199-000](#) [760-3052](#) [787-8014-00](#) [79531-3000](#)
[FCN-360C032-B](#) [FCN-367T-T012/H](#) [FCN-723D010/2](#) [80.063.4001.1](#) [800-90-001-10-001000](#) [800-90-010-10-002000](#) [801-43-002-10-013000](#)