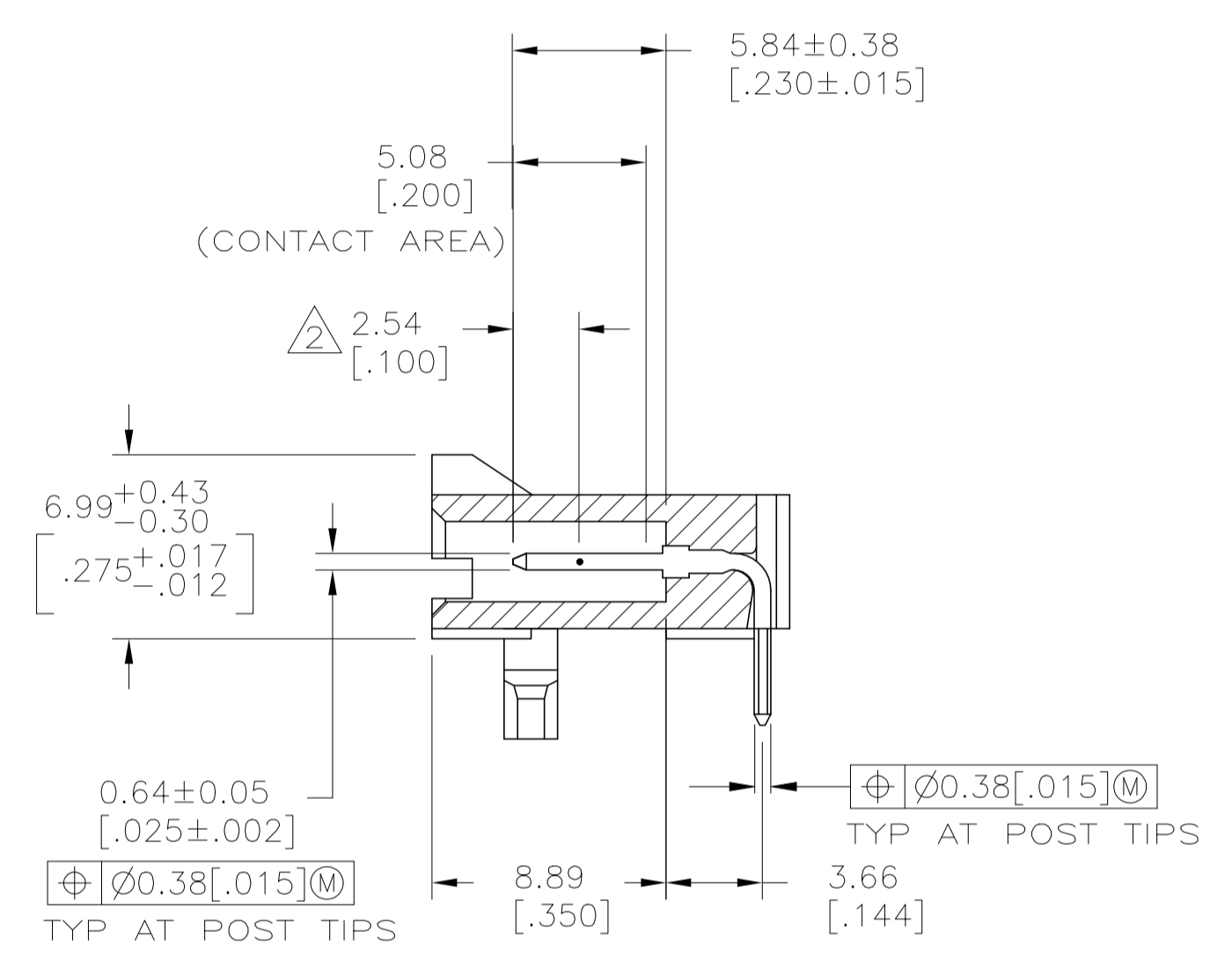
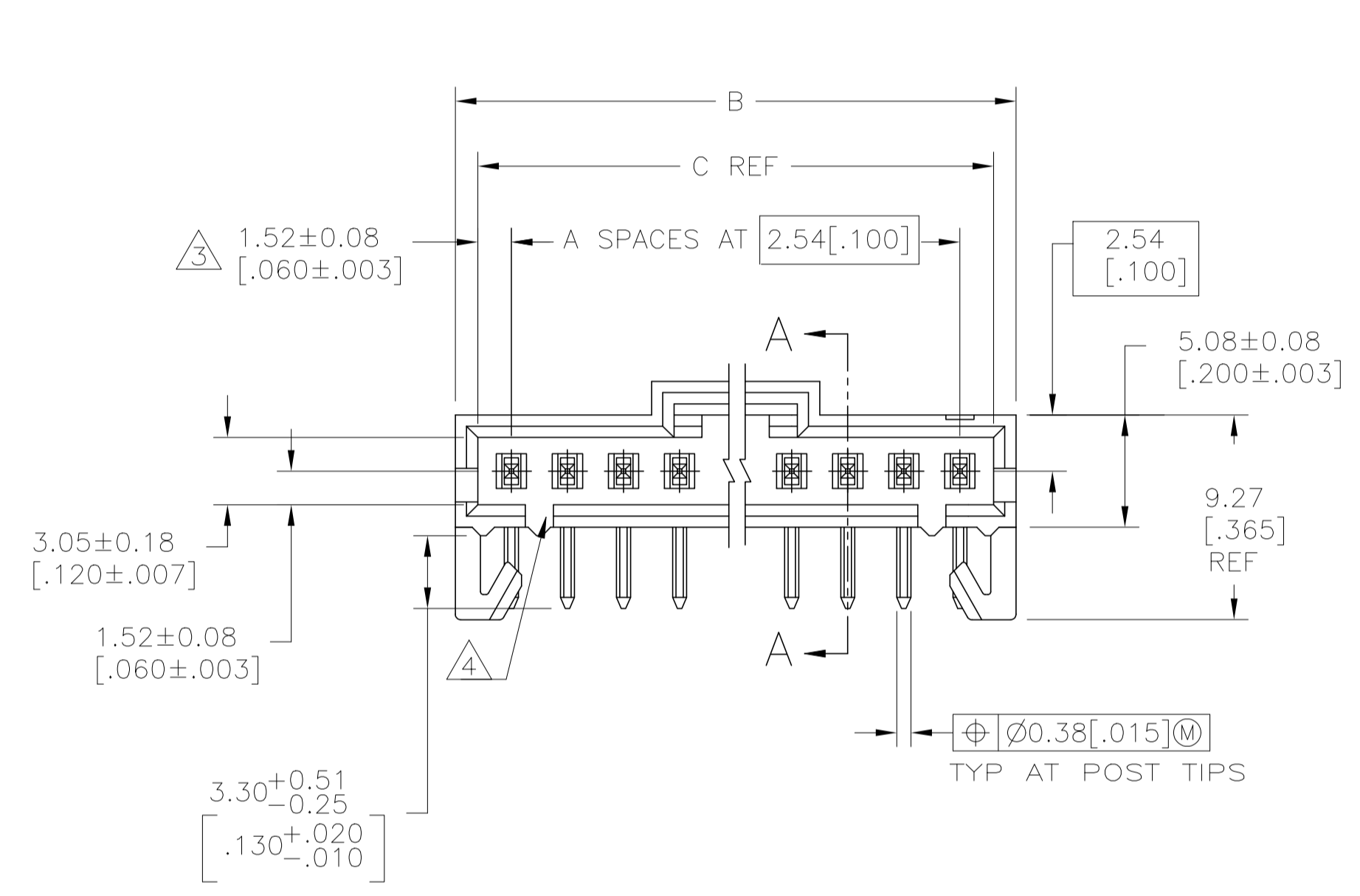
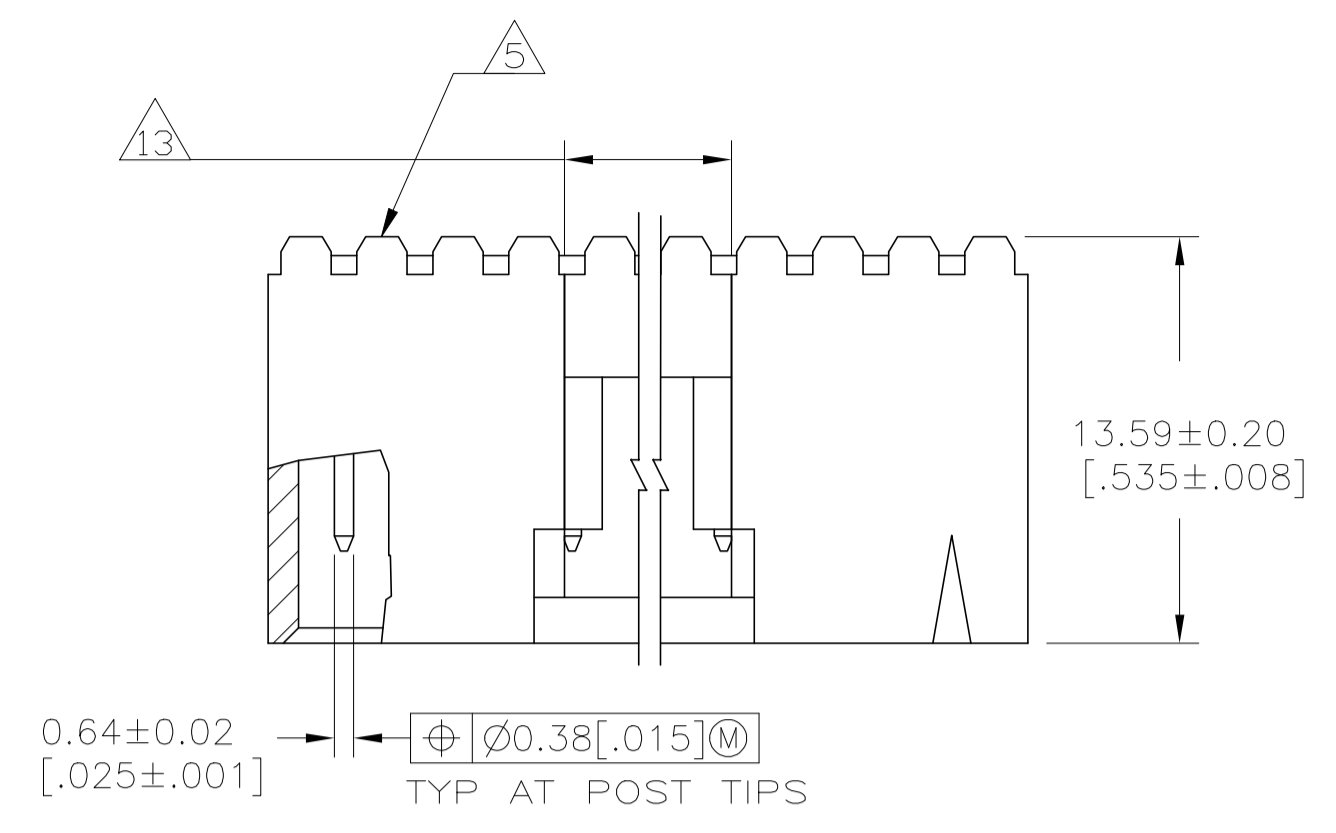
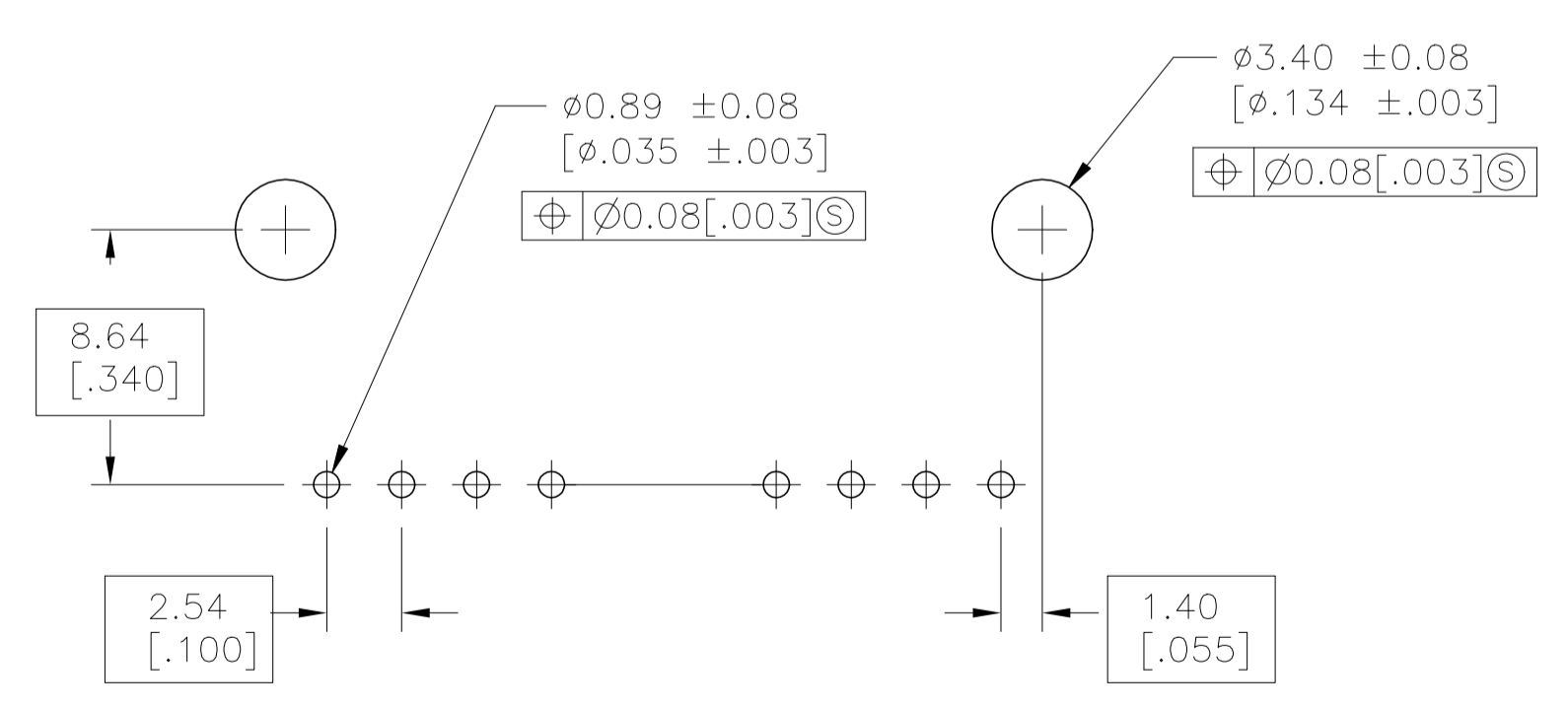


| REVISIONS |     |                           |           |            |
|-----------|-----|---------------------------|-----------|------------|
| P         | LTR | DESCRIPTION               | DATE      | DRN / APVD |
| AD        |     | REVISED PER ECO-17-002583 | 08APR2017 | RS / MM    |
| AE        |     | REVISED PER ECO-20-001323 | 17JUN2020 | SM / JO    |



SECTION A-A



RECOMMENDED HOLE LAYOUT

|  |                     |                             |                               |  |
|--|---------------------|-----------------------------|-------------------------------|--|
| THIS DRAWING IS A CONTROLLED DOCUMENT.   |                     | DRN<br>R BROWN<br>09FEB01   | 09FEB01                       | <b>STE</b> TE Connectivity   |
| DIMENSIONS:<br>mm  |                     | CHK<br>K WRIGHT<br>09FEB01  | 09FEB01                       |  |
| TOLERANCES UNLESS OTHERWISE SPECIFIED:   |                     | APVD<br>K WRIGHT<br>09FEB01 | NAME                          | HDR ASSY, RTANG, SINGLE ROW<br>2.54[.100] CL, 0.64[.025] SQ POST,<br>WITH PLZN & HOLD DOWNS, AMPMODU MTE |
| 0 PLC ± -<br>1 PLC ± -<br>2 PLC ± 0.13[.005]<br>3 PLC ± -<br>4 PLC ± -<br>ANGLES ± - |                     | PRODUCT SPEC<br>108-25034   | APPLICATION SPEC<br>114-25026 |  |
| MATERIAL   | FINISH<br>SEE TABLE | WEIGHT                      | SIZE<br>A1                    | CAGE CODE<br>00779   |
| CUSTOMER DRAWING   |                     | SCALE<br>4:1                | SHEET<br>1                    | OF<br>2  |
|  |                     | REV<br>AE                   |                               |  |

| REVISIONS |     |             |      |     |      |
|-----------|-----|-------------|------|-----|------|
| P         | LTR | DESCRIPTION | DATE | DRN | APVD |
|           |     | SEE SHEET 1 | -    | -   | -    |

- ① .000100 BRIGHT TIN-LEAD OVER .000050 NICKEL.
- ② POINT OF MEASUREMENT FOR PLATING THICKNESS.
- ③ THE NOTED DIMENSIONS APPLY AT THE INTERSECTION OF THE POST AND THE HOUSING.
- ④ ON ASSEMBLIES WITH FOUR OR MORE POSITIONS, TWO POLARIZATION SLOTS.  
ON ASSEMBLIES WITH TWO OR THREE POSITIONS, ONE POLARIZATION SLOT.
- ⑤ AMP TRADEMARK MOLDED ON THIS SURFACE.
- 6. FOR USE WITH 1.57±0.20[.062±.008] PRINTED CIRCUIT BOARD.
- ⑥ MATERIAL: HOUSING- FLAME RETARDANT LCP, COLOR-BLACK.  
POSTS- BRASS.
- ⑧ .000100 BRIGHT TIN OVER .000050 NICKEL.
- ⑨ PRELIMINARY PART - NOT RELEASED FOR PRODUCTION.
- ⑩ .000100 MATTE TIN OVER .000050 NICKEL.
- ⑪ HIGH TEMPERATURE CONFIGURATION
- ⑫ OBSOLETE PARTS: OBSOLETE CIS STREAMLINING PER D.RENAUD/D.SINISI
- ⑬ 0.25 [.010] RECESS PERMISSIBLE IN THIS AREA FOR MOLD SHUT OFF

|         |         | 64.01<br>[2.520] | 65.91<br>[2.595] | 24 | 25          | ⑫ 7-103672-4 |
|---------|---------|------------------|------------------|----|-------------|--------------|
|         |         | 61.47<br>[2.420] | 63.37<br>[2.495] | 23 | 24          | ⑫ 7-103672-3 |
|         |         | 58.93<br>[2.320] | 60.83<br>[2.395] | 22 | 23          | ⑫ 7-103672-2 |
|         |         | 56.39<br>[2.220] | 58.29<br>[2.295] | 21 | 22          | ⑫ 7-103672-1 |
|         |         | 53.85<br>[2.120] | 55.75<br>[2.195] | 20 | 21          | ⑫ 7-103672-0 |
|         |         | 51.31<br>[2.020] | 53.21<br>[2.095] | 19 | 20          | 6-103672-9   |
|         |         | 48.77<br>[1.920] | 50.67<br>[1.995] | 18 | 19          | ⑫ 6-103672-8 |
|         |         | 46.23<br>[1.820] | 48.13<br>[1.895] | 17 | 18          | ⑫ 6-103672-7 |
|         |         | 43.69<br>[1.720] | 45.59<br>[1.795] | 16 | 17          | ⑫ 6-103672-6 |
|         |         | 41.15<br>[1.620] | 43.05<br>[1.695] | 15 | 16          | 6-103672-5   |
|         |         | 38.61<br>[1.520] | 40.51<br>[1.595] | 14 | 15          | ⑫ 6-103672-4 |
|         |         | 36.07<br>[1.420] | 37.97<br>[1.495] | 13 | 14          | ⑫ 6-103672-3 |
|         |         | 33.53<br>[1.320] | 35.43<br>[1.395] | 12 | 13          | ⑫ 6-103672-2 |
|         |         | 30.99<br>[1.220] | 32.89<br>[1.295] | 11 | 12          | 6-103672-1   |
|         |         | 28.45<br>[1.120] | 30.35<br>[1.195] | 10 | 11          | ⑫ 6-103672-0 |
|         |         | 25.91<br>[1.020] | 27.81<br>[1.095] | 9  | 10          | 5-103672-9   |
|         |         | 23.37<br>[.920]  | 25.27<br>[0.995] | 8  | 9           | ⑫ 5-103672-8 |
|         |         | 20.83<br>[.820]  | 22.73<br>[.895]  | 7  | 8           | 5-103672-7   |
|         |         | 18.29<br>[.720]  | 20.19<br>[.795]  | 6  | 7           | 5-103672-6   |
|         |         | 15.75<br>[.620]  | 17.65<br>[.695]  | 5  | 6           | 5-103672-5   |
|         |         | 13.21<br>[.520]  | 15.11<br>[.595]  | 4  | 5           | 5-103672-4   |
|         |         | 10.67<br>[.420]  | 12.57<br>[.495]  | 3  | 4           | 5-103672-3   |
|         |         | 8.13<br>[.320]   | 10.03<br>[.395]  | 2  | 3           | 5-103672-2   |
|         |         | 5.59<br>[.220]   | 7.49<br>[.295]   | 1  | 2           | 5-103672-1   |
| REMARKS | PLATING | C                | B                | A  | NO. OF POSN | PART NO.     |

|         |         | 25.91<br>[1.020] | 27.81<br>[1.095] | 9  | 10          | 3-103672-0   |
|---------|---------|------------------|------------------|----|-------------|--------------|
|         |         | 15.75<br>[.620]  | 17.65<br>[.695]  | 5  | 6           | 2-103672-9   |
|         |         | 5.59<br>[.220]   | 7.493<br>[.295]  | 1  | 2           | 2-103672-8   |
|         |         | 13.21<br>[.520]  | 15.11<br>[.595]  | 4  | 5           | 2-103672-7   |
|         |         | 10.67<br>[.420]  | 12.57<br>[.495]  | 3  | 4           | 2-103672-6   |
|         |         | 8.13<br>[.320]   | 10.03<br>[.395]  | 2  | 3           | 2-103672-5   |
|         |         | 64.01<br>[2.520] | 65.91<br>[2.595] | 24 | 25          | ⑫ 2-103672-4 |
|         |         | 61.47<br>[2.420] | 63.37<br>[2.495] | 23 | 24          | ⑫ 2-103672-3 |
|         |         | 58.93<br>[2.320] | 60.83<br>[2.395] | 22 | 23          | ⑫ 2-103672-2 |
|         |         | 56.39<br>[2.220] | 58.29<br>[2.295] | 21 | 22          | ⑫ 2-103672-1 |
|         |         | 53.85<br>[2.120] | 55.75<br>[2.195] | 20 | 21          | ⑫ 2-103672-0 |
|         |         | 51.31<br>[2.020] | 53.21<br>[2.095] | 19 | 20          | ⑫ 1-103672-9 |
|         |         | 48.77<br>[1.920] | 50.67<br>[1.995] | 18 | 19          | ⑫ 1-103672-8 |
|         |         | 46.23<br>[1.820] | 48.13<br>[1.895] | 17 | 18          | ⑫ 1-103672-7 |
|         |         | 43.69<br>[1.720] | 45.59<br>[1.795] | 16 | 17          | ⑫ 1-103672-6 |
|         |         | 41.15<br>[1.620] | 43.05<br>[1.695] | 15 | 16          | 1-103672-5   |
|         |         | 38.61<br>[1.520] | 40.51<br>[1.595] | 14 | 15          | 1-103672-4   |
|         |         | 36.07<br>[1.420] | 37.97<br>[1.495] | 13 | 14          | ⑫ 1-103672-3 |
|         |         | 33.53<br>[1.320] | 35.43<br>[1.395] | 12 | 13          | ⑫ 1-103672-2 |
|         |         | 30.99<br>[1.220] | 32.89<br>[1.295] | 11 | 12          | 1-103672-1   |
|         |         | 28.45<br>[1.120] | 30.35<br>[1.195] | 10 | 11          | 1-103672-0   |
|         |         | 25.91<br>[1.020] | 27.81<br>[1.095] | 9  | 10          | 103672-9     |
|         |         | 23.37<br>[.920]  | 25.27<br>[0.995] | 8  | 9           | 103672-8     |
|         |         | 20.83<br>[.820]  | 22.73<br>[.895]  | 7  | 8           | 103672-7     |
|         |         | 18.29<br>[.720]  | 20.19<br>[.795]  | 6  | 7           | 103672-6     |
|         |         | 15.75<br>[.620]  | 17.65<br>[.695]  | 5  | 6           | 103672-5     |
|         |         | 13.21<br>[.520]  | 15.11<br>[.595]  | 4  | 5           | 103672-4     |
|         |         | 10.67<br>[.420]  | 12.57<br>[.495]  | 3  | 4           | 103672-3     |
|         |         | 8.13<br>[.320]   | 10.03<br>[.395]  | 2  | 3           | 103672-2     |
|         |         | 5.59<br>[.220]   | 7.49<br>[.295]   | 1  | 2           | 103672-1     |
| REMARKS | PLATING | C                | B                | A  | NO. OF POSN | PART NO.     |

THIS DRAWING IS A CONTROLLED DOCUMENT. DWN R BROWN 09FEB01  
 DWG K WRIGHT 09FEB01  
 APVD K WRIGHT 09FEB01

**STE** TE Connectivity

PRODUCT SPEC: 108-25034  
 APPLICATION SPEC: 114-25026

SIZE: A1 CAGE CODE: 00779 DRAWING NO: 103672  
 RESTRICTED TO: -

MATERIAL: ① FINISH: SEE TABLE WEIGHT: CUSTOMER DRAWING SCALE: 4:1 SHEET 2 OF 2 REV AE

## X-ON Electronics

Largest Supplier of Electrical and Electronic Components

*Click to view similar products for [Headers & Wire Housings](#) category:*

*Click to view products by [TE Connectivity](#) manufacturer:*

Other Similar products are found below :

[892-18-020-10-001101](#) [58102-G61-06LF](#) [582553-1](#) [0009485154](#) [009176003701906](#) [0050291907](#) [LY20-4P-DT1-P1E-BR](#) [02.125.8002.8](#)  
[609-3404](#) [61062-3](#) [61082-181009](#) [622-3653LF](#) [63453-116](#) [636-1030](#) [636-1427](#) [636-3427](#) [636-4007](#) [641938-9](#) [641991-4](#) [644827-2](#) [65817-010LF](#) [65817-015LF](#) [65863-015LF](#) [66207-023LF](#) [67095-007LF](#) [67601157](#) [68645-018](#) [68648-049](#) [70.362.1628.0](#) [70-4210](#) [70-4226B](#) [70-4853B](#) [707-5020](#) [707-5028](#) [71.350.2428.0](#) [71918-208LF](#) [71961-016LF](#) [733-134](#) [733-162](#) [754199-000](#) [760-3052](#) [787-8014-00](#) [79531-3000](#)  
[FCN-360C032-B](#) [FCN-367T-T012/H](#) [FCN-723D010/2](#) [80.063.4001.1](#) [800-90-001-10-001000](#) [800-90-010-10-002000](#) [801-43-002-10-013000](#)