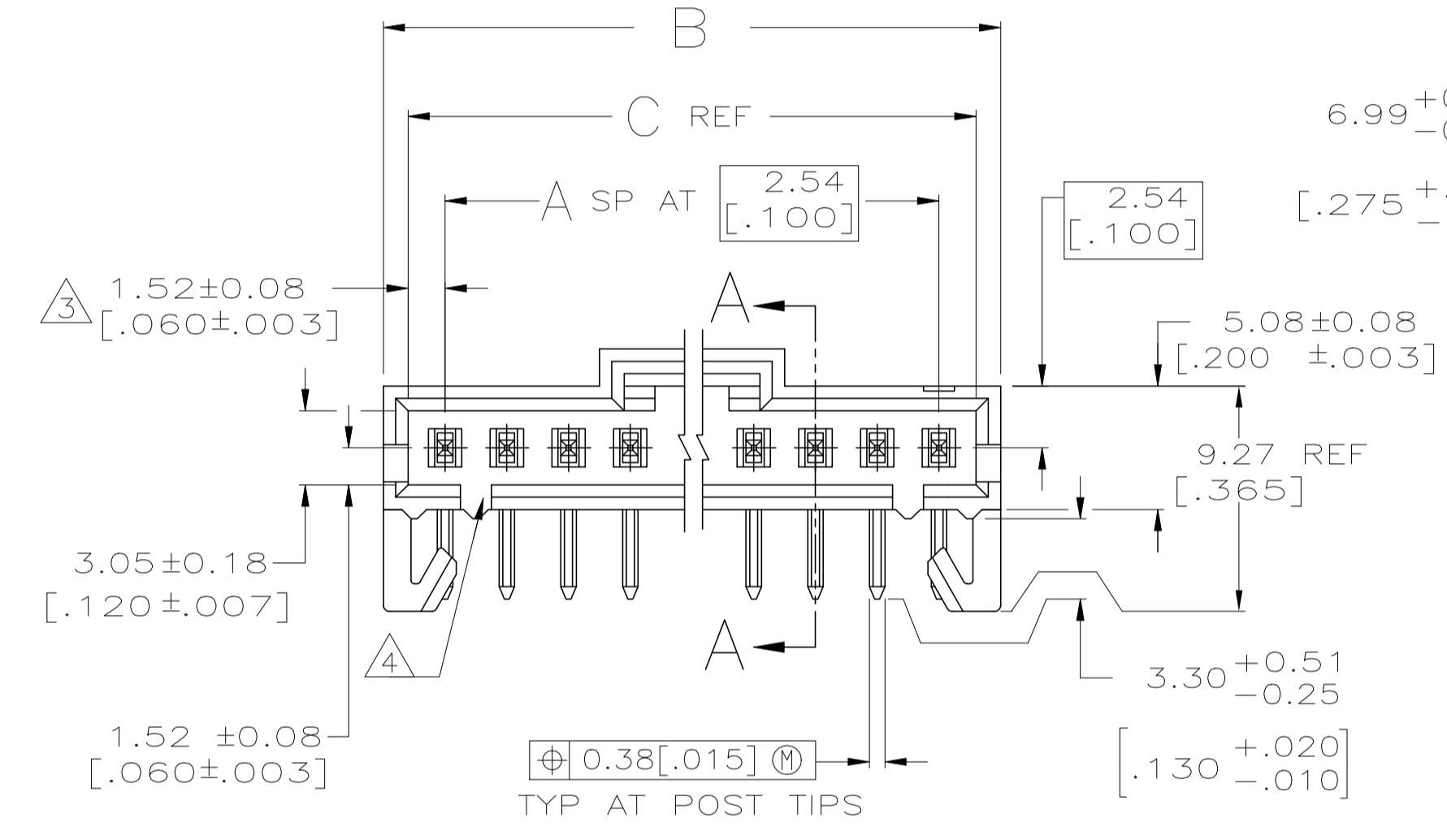
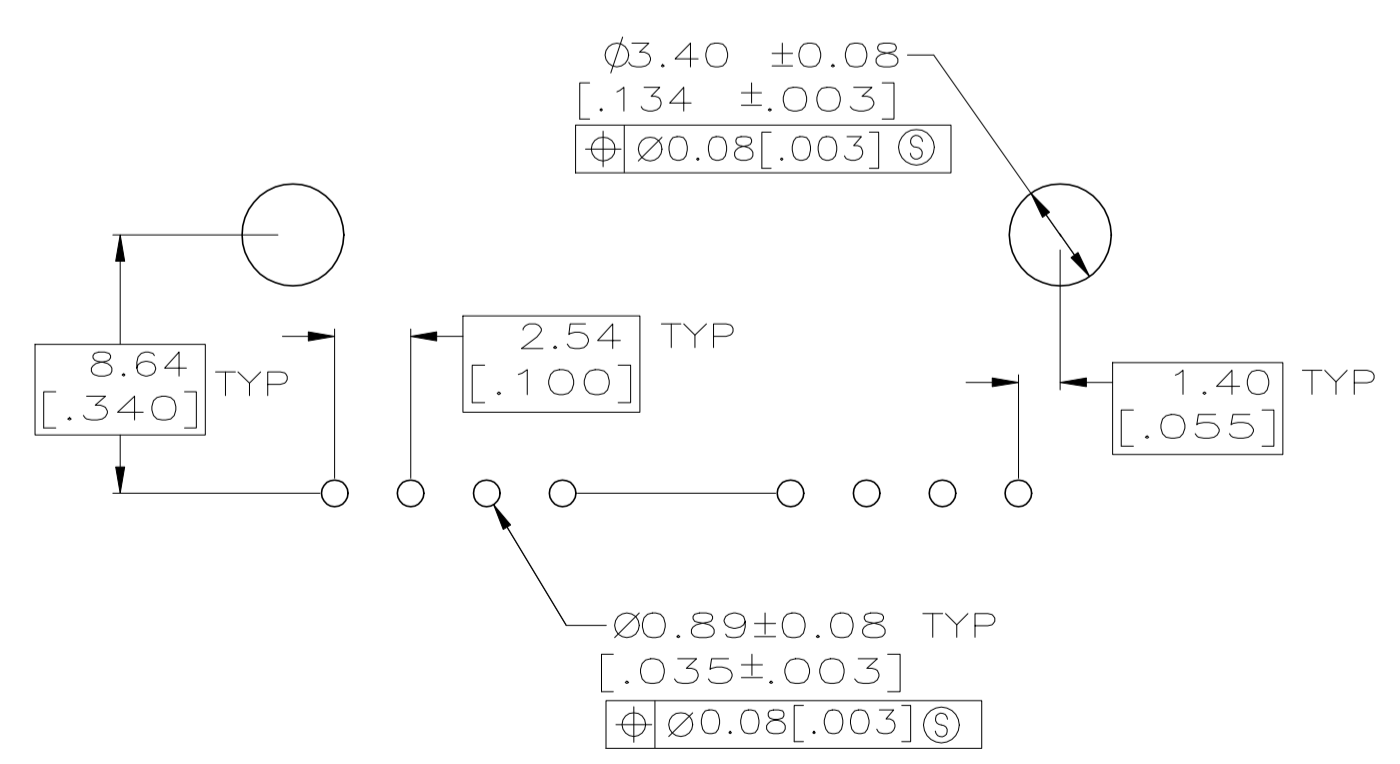


REVISIONS				
P	LTR	DESCRIPTION	DATE	DRN / APVD
U		REVISED PER ECO-17-002583	08APR2017	RS / MM
V		REVISED PER ECO-20-001323	17JUN2020	SM / JO



SECTION A-A

- ① .00038[.000015] GOLD IN THE CONTACT AREA, .00254[.000100] MATTE TIN-LEAD ON REMAINDER OF CONTACT, ALL OVER .00127[.000050] NICKEL.
- ② POINT OF MEASUREMENT FOR PLATING THICKNESS.
- ③ THE NOTED DIMENSIONS APPLY AT THE INTERSECTION OF THE POST AND THE HOUSING.
- ④ ON ASSEMBLIES WITH FOUR OR MORE POSITIONS, TWO POLARIZATION SLOTS. ON ASSEMBLIES WITH TWO OR THREE POSITIONS, ONE POLARIZATION SLOT.
- ⑤ AMP TRADEMARK MOLDED ON THIS SURFACE.
- 6. FOR USE WITH 1.57±0.20[.062±.008] PRINTED CIRCUIT BOARD.
- ⑦ .00038[.000015] GOLD IN THE CONTACT AREA, .00254[.000100] MATTE TIN ON REMAINDER OF CONTACT, ALL OVER .00127[.000050] NICKEL.
- ⑧ PRELIMINARY PART - NOT RELEASED FOR PRODUCTION.
- ⑨ HIGH TEMPERATURE CONFIGURATION.
- ⑩ OBSOLETE PARTS: OBSOLETE CIS STREAMLINING PER D.RENAUD/D.SINISI
- ⑪ 0.25 [.010] RECESS PERMISSIBLE IN THIS AREA FOR MOLD SHUT OFF



RECOMMENDED HOLE LAYOUT

SEE SHEET 2 FOR PART NUMBER TABLES

THIS DRAWING IS A CONTROLLED DOCUMENT.		DRN S. SHUEY	OSMAR91	STE TE Connectivity
DIMENSIONS: mm [INCHES]		CHK J. GESFORD	OSMAR91	
TOLERANCES UNLESS OTHERWISE SPECIFIED:		APVD J. GESFORD	OSMAR91	NAME
0 PLC ± -		PRODUCT SPEC		HDR ASSY, RTANG, SINGLE ROW
1 PLC ± -		APPLICATION SPEC		2.54[.100] C/L 0.641[.025] SQ. POST,
2 PLC ± 0.13[.005]		108-25034		WITH PLZN & HOLD DOWNS, AMPMODU MTE
3 PLC ± -		114-25026		SIZE CAGE CODE DRAWING NO
4 PLC ± -		CUSTOMER DRAWING		A1 00779 C=103673
ANGLES ± -		SCALE 4:1		SHEET 1 OF 2
MATERIAL HOUSING: FLAME RETARDANT LCP,COLOR BLACK, CONTACTS: BRASS	FINISH SEE TABLE	RESTRICTED TO		REV V

9	7	64.01 [2.520]	65.91 [2.595]	24	25	7-103673-4	OBSOLETE	10
9	7	61.47 [2.420]	63.37 [2.495]	23	24	7-103673-3		
9	7	58.93 [2.320]	60.83 [2.395]	22	23	7-103673-2	OBSOLETE	10
9	7	56.39 [2.220]	58.29 [2.295]	21	22	7-103673-1	OBSOLETE	10
9	7	53.85 [2.120]	55.75 [2.195]	20	21	7-103673-0	OBSOLETE	10
9	7	51.31 [2.020]	53.21 [2.095]	19	20	6-103673-9		
9	7	48.77 [1.920]	50.67 [1.995]	18	19	6-103673-8	OBSOLETE	10
9	7	46.23 [1.820]	48.13 [1.895]	17	18	6-103673-7	OBSOLETE	10
9	7	43.69 [1.720]	45.59 [1.795]	16	17	6-103673-6		
9	7	41.15 [1.620]	43.05 [1.695]	15	16	6-103673-5		
9	7	38.61 [1.520]	40.51 [1.595]	14	15	6-103673-4		
9	7	36.07 [1.420]	37.97 [1.495]	13	14	6-103673-3		
9	7	33.53 [1.320]	35.43 [1.395]	12	13	6-103673-2	OBSOLETE	10
9	7	30.99 [1.220]	32.89 [1.295]	11	12	6-103673-1		
9	7	28.45 [1.120]	30.35 [1.195]	10	11	6-103673-0		
9	7	25.91 [1.020]	27.81 [1.095]	9	10	5-103673-9		
9	7	23.37 [.920]	25.27 [0.995]	8	9	5-103673-8		
9	7	20.83 [.820]	22.73 [.895]	7	8	5-103673-7		
9	7	18.29 [.720]	20.19 [.795]	6	7	5-103673-6		
9	7	15.75 [.620]	17.65 [.695]	5	6	5-103673-5		
9	7	13.21 [.520]	15.11 [.595]	4	5	5-103673-4		
9	7	10.67 [.420]	12.57 [.495]	3	4	5-103673-3		
9	7	8.13 [.320]	10.03 [.395]	2	3	5-103673-2		
9	7	5.59 [.220]	7.49 [.295]	1	2	5-103673-1		
REMARKS	PLATING	C	B	A	NO. OF POSN	PART NO.		

8	7	41.15 [1.620]	43.05 [1.695]	15	16	2-103673-6		
8	7	18.29 [.720]	20.19 [.795]	6	7	2-103673-5		
1	1	64.01 [2.520]	65.91 [2.595]	24	25	2-103673-4		
1	1	61.47 [2.420]	63.37 [2.495]	23	24	2-103673-3		
1	1	58.93 [2.320]	60.83 [2.395]	22	23	2-103673-2	OBSOLETE	10
1	1	56.39 [2.220]	58.29 [2.295]	21	22	2-103673-1		
1	1	53.85 [2.120]	55.75 [2.195]	20	21	2-103673-0	OBSOLETE	10
1	1	51.31 [2.020]	53.21 [2.095]	19	20	1-103673-9		
1	1	48.77 [1.920]	50.67 [1.995]	18	19	1-103673-8	OBSOLETE	10
1	1	46.23 [1.820]	48.13 [1.895]	17	18	1-103673-7		
1	1	43.69 [1.720]	45.59 [1.795]	16	17	1-103673-6		
1	1	41.15 [1.620]	43.05 [1.695]	15	16	1-103673-5		
9	1	38.61 [1.520]	40.51 [1.595]	14	15	1-103673-4		
1	1	36.07 [1.420]	37.97 [1.495]	13	14	1-103673-3		
1	1	33.53 [1.320]	35.43 [1.395]	12	13	1-103673-2	OBSOLETE	10
1	1	30.99 [1.220]	32.89 [1.295]	11	12	1-103673-1		
1	1	28.45 [1.120]	30.35 [1.195]	10	11	1-103673-0		
1	1	25.91 [1.020]	27.81 [1.095]	9	10	103673-9		
1	1	23.37 [.920]	25.27 [0.995]	8	9	103673-8		
1	1	20.83 [.820]	22.73 [.895]	7	8	103673-7		
1	1	18.29 [.720]	20.19 [.795]	6	7	103673-6		
1	1	15.75 [.620]	17.65 [.695]	5	6	103673-5		
1	1	13.21 [.520]	15.11 [.595]	4	5	103673-4		
1	1	10.67 [.420]	12.57 [.495]	3	4	103673-3		
1	1	8.13 [.320]	10.03 [.395]	2	3	103673-2		
1	1	5.59 [.220]	7.49 [.295]	1	2	103673-1		
REMARKS	PLATING	C	B	A	NO. OF POSN	PART NO.		

THIS DRAWING IS A CONTROLLED DOCUMENT. DWN S. SHUEY 05MAR91
 DRW J. GESFORD 05MAR91
 APVD J. GESFORD 05MAR91

DIMENSIONS: mm [INCHES]
 TO DIMENSIONS UNLESS OTHERWISE SPECIFIED:
 0 PLC ± -
 1 PLC ± -
 2 PLC ± 0.13[.005]
 3 PLC ± -
 4 PLC ± -
 ANGLES ± -

MATERIAL: HOUSING: FLAME RETARDENT
 LOP: COLOR BLACK
 CONTACTS: BRASS

FINISH: SEE TABLE

STE TE Connectivity
 HDR ASSY, RTANG, SINGLE ROW
 2.54[.100] C/L 0.641[.025] SQ. POST.
 WITH PLZN & HOLD DOWNS, AMPMODU MTE

108-25034
 APPLICATION SPEC
 114-25026

SIZE: A1 CAGE CODE: 00779 DRAWING NO: 103673
 WEIGHT: CUSTOMER DRAWING

RESTRICTED TO: -
 SCALE: 4:1 SHEET 2 OF 2 REV V

X-ON Electronics

Largest Supplier of Electrical and Electronic Components

Click to view similar products for [Headers & Wire Housings](#) category:

Click to view products by [TE Connectivity](#) manufacturer:

Other Similar products are found below :

[892-18-020-10-001101](#) [58102-G61-06LF](#) [582553-1](#) [0009485154](#) [009176003701906](#) [0050291907](#) [LY20-4P-DT1-P1E-BR](#) [02.125.8002.8](#)
[609-3404](#) [61062-3](#) [61082-181009](#) [622-3653LF](#) [63453-116](#) [636-1030](#) [636-1427](#) [636-3427](#) [636-4007](#) [641938-9](#) [641991-4](#) [644827-2](#) [65817-](#)
[010LF](#) [65817-015LF](#) [65863-015LF](#) [66207-023LF](#) [67095-007LF](#) [67601157](#) [68645-018](#) [68648-049](#) [70.362.1628.0](#) [70-4210](#) [70-4226B](#) [70-](#)
[4853B](#) [707-5020](#) [707-5028](#) [71.350.2428.0](#) [71918-208LF](#) [71961-016LF](#) [733-134](#) [733-162](#) [754199-000](#) [760-3052](#) [787-8014-00](#) [79531-3000](#)
[FCN-360C032-B](#) [FCN-367T-T012/H](#) [FCN-723D010/2](#) [80.063.4001.1](#) [800-90-001-10-001000](#) [800-90-010-10-002000](#) [801-43-002-10-013000](#)