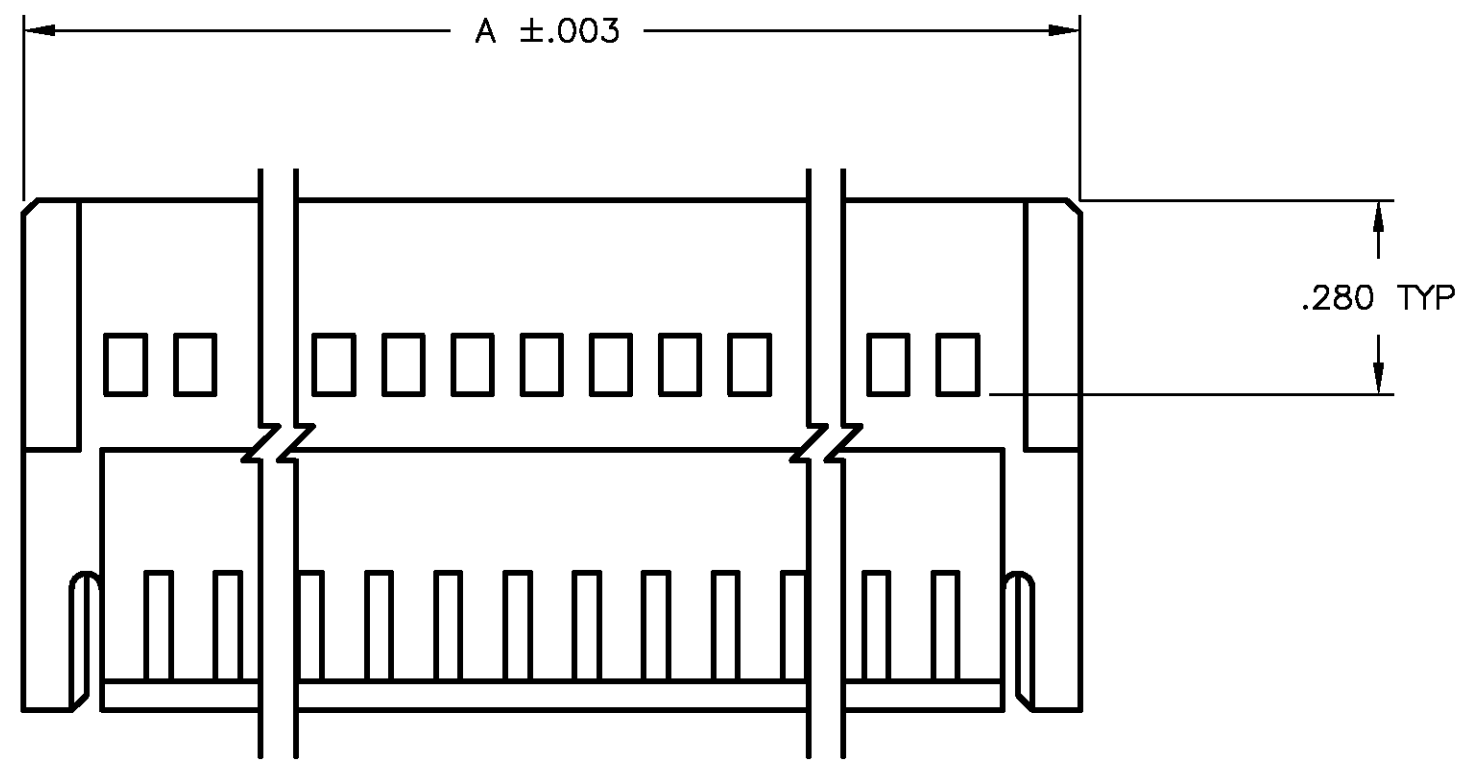
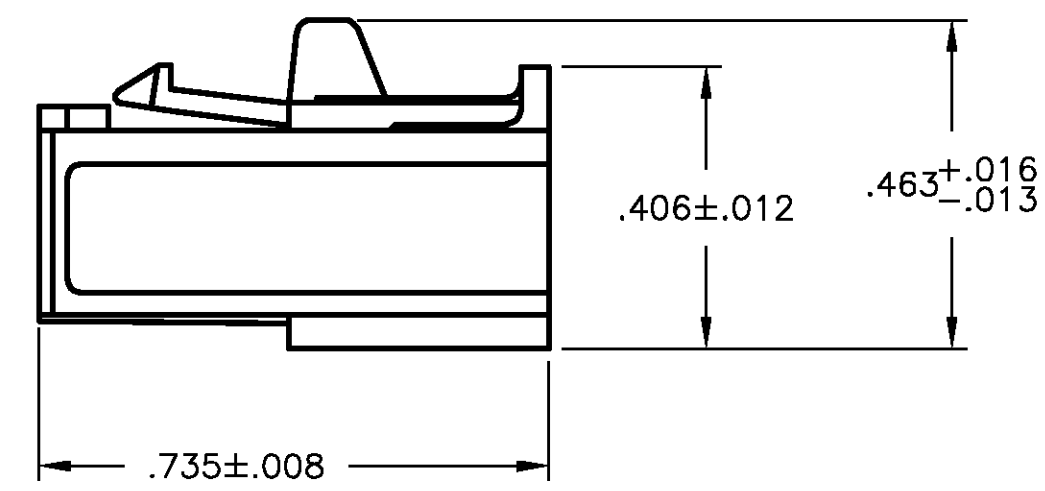
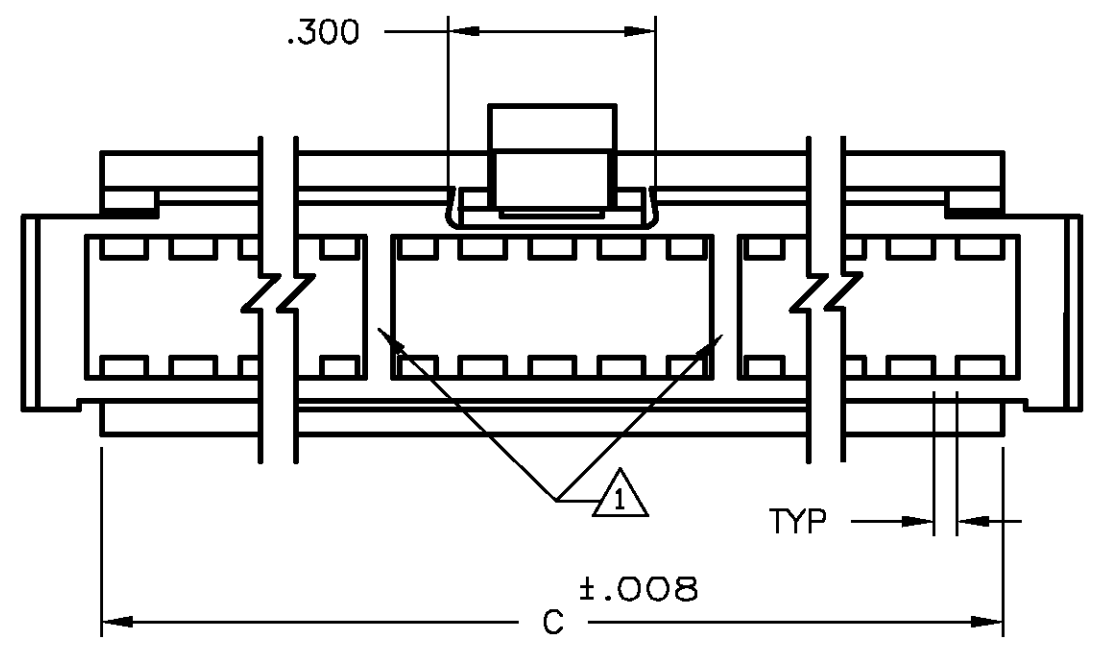
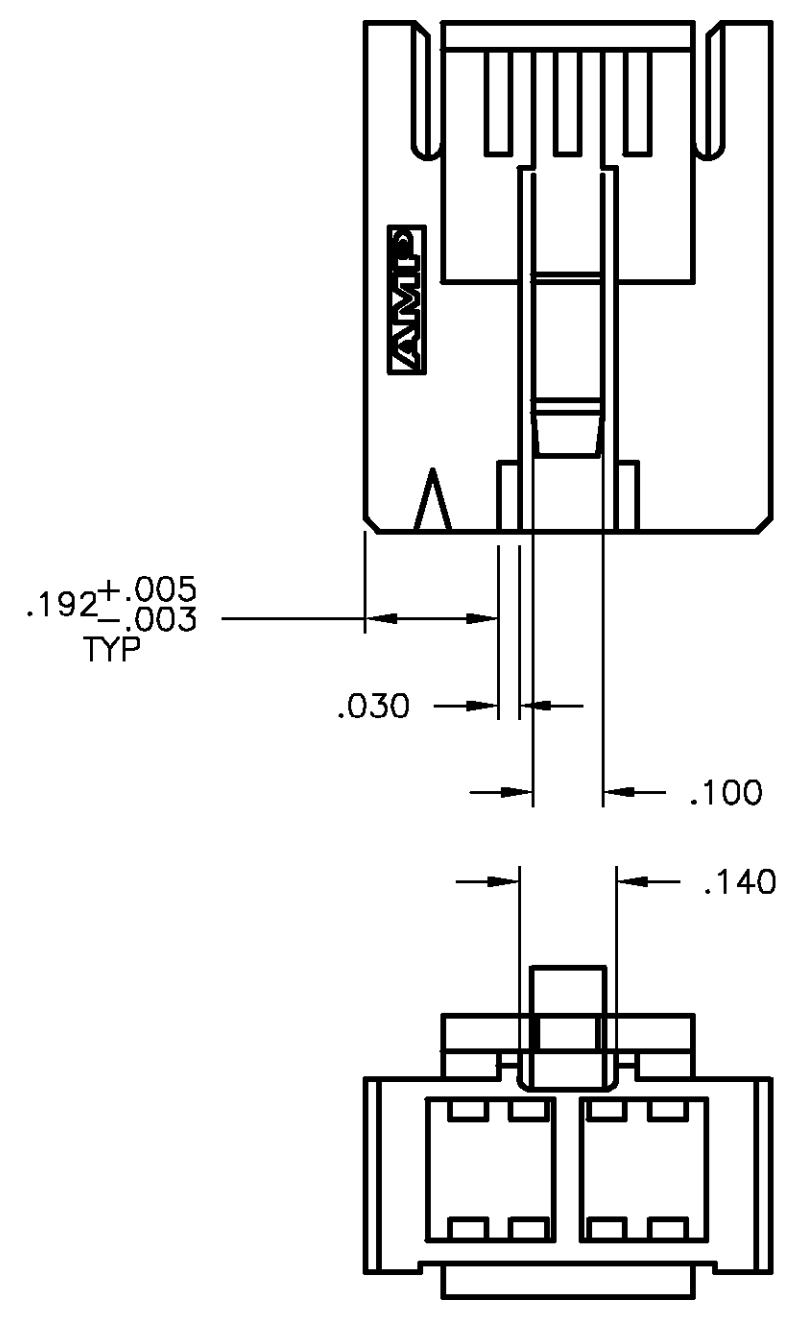
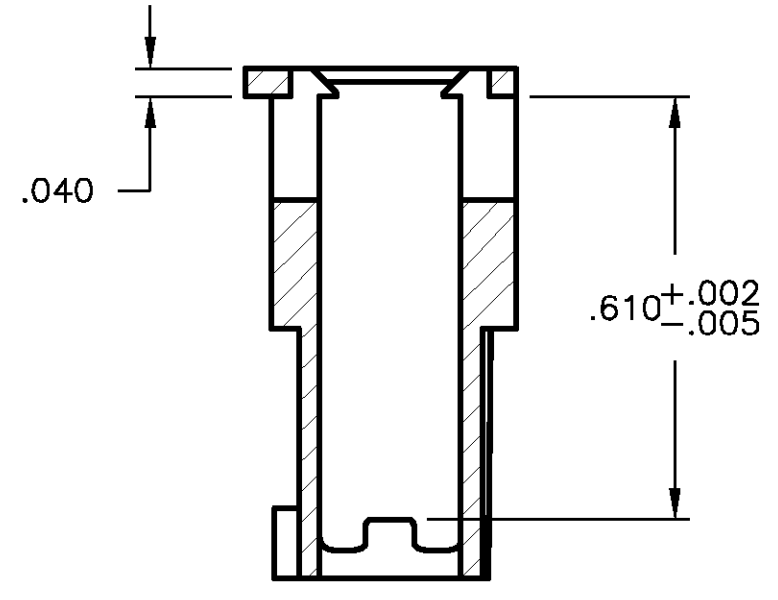
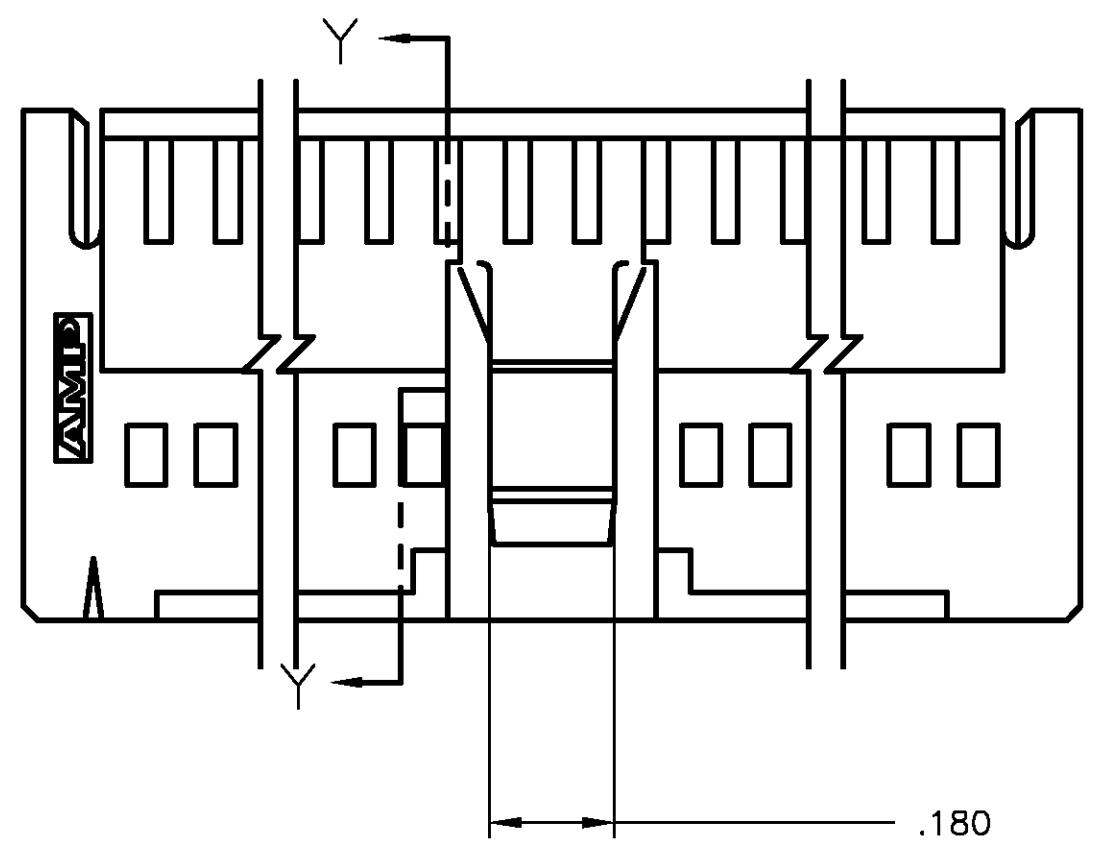


LOC		REV		REVISIONS			
AD	39	P	LR	DESCRIPTION	DATE	DM	APD
		M		REV PER OG3C-0373-02	11OCT02	RB	JG



- 1 SEE TABLE FOR RIB QTY
- 2 THIS COUPLING SHROUD IS TO BE USED WITH AMPMODU MTE® RECEPTACLE ASSEMBLIES WITH GUIDE RIBS. THE NUMBER OF POSITIONS LISTED EQUALS THE TOTAL NUMBER OF POSITIONS WHICH CAN BE CONTAINED WITHIN THE COUPLING SHROUD
- 3 FLAME RETARDANT THERMOPLASTIC, COLOR-BLACK.
- 4 PRELIMINARY PART - NOT RELEASED FOR PRODUCTION.

QTY	C	A	NO OF POSN	PART NUMBER
1			6	1-103681-7
2			50	1-103681-6
2			40	1-103681-5
2			34	1-103681-4
2			32	1-103681-3
2			30	1-103681-2
2			28	1-103681-1
2			26	1-103681-0
2			24	103681-9
2			22	103681-8
2			20	103681-7
2			18	103681-6
1			16	103681-5
1			14	103681-4
1			12	103681-3
1			10	103681-2
1			8	103681-1

THIS DRAWING IS A CONTROLLED DOCUMENT. DWN H. MOLI 10-7-87
 CHK P. de JONG 10-7-87
 AMP Tyco Electronics Corporation Harrisburg, PA 17105

DIMENSIONS: INCHES	TOLERANCES UNLESS OTHERWISE SPECIFIED:	PRODUCT SPEC: 108-25034	NAME: COUPLING SHROUD, AMPMODU MTE, .100X.100 C/L, DOUBLE ROW
0 PLG ± -	1 PLG ± -	APPLICATION SPEC: 114-25026	SIZE: A1
2 PLG ± .005	3 PLG ± -	WEIGHT: -	CAGE CODE: 00779
4 PLG ± -	ANGLES ± -	MATERIAL: 3	DRAWING NO: 103681
FINISH: -		SCALE: 4:1	

CUSTOMER DRAWING SHEET 1 OF 1 REV M

X-ON Electronics

Largest Supplier of Electrical and Electronic Components

Click to view similar products for [Headers & Wire Housings](#) category:

Click to view products by [TE Connectivity](#) manufacturer:

Other Similar products are found below :

[892-18-020-10-001101](#) [58102-G61-06LF](#) [582553-1](#) [0009485154](#) [009176003701906](#) [0050291907](#) [LY20-4P-DT1-P1E-BR](#) [02.125.8002.8](#)
[609-3404](#) [61062-3](#) [61082-181009](#) [622-3653LF](#) [63453-116](#) [636-1030](#) [636-1427](#) [636-3427](#) [636-4007](#) [641938-9](#) [641991-4](#) [644827-2](#) [65817-010LF](#) [65817-015LF](#) [65863-015LF](#) [66207-023LF](#) [67095-007LF](#) [67601157](#) [68645-018](#) [68648-049](#) [70.362.1628.0](#) [70-4210](#) [70-4226B](#) [70-4853B](#) [707-5020](#) [707-5028](#) [71.350.2428.0](#) [71918-208LF](#) [71961-016LF](#) [733-134](#) [733-162](#) [754199-000](#) [760-3052](#) [787-8014-00](#) [79531-3000](#)
[FCN-360C032-B](#) [FCN-367T-T012/H](#) [FCN-723D010/2](#) [80.063.4001.1](#) [800-90-001-10-001000](#) [800-90-010-10-002000](#) [801-43-002-10-013000](#)