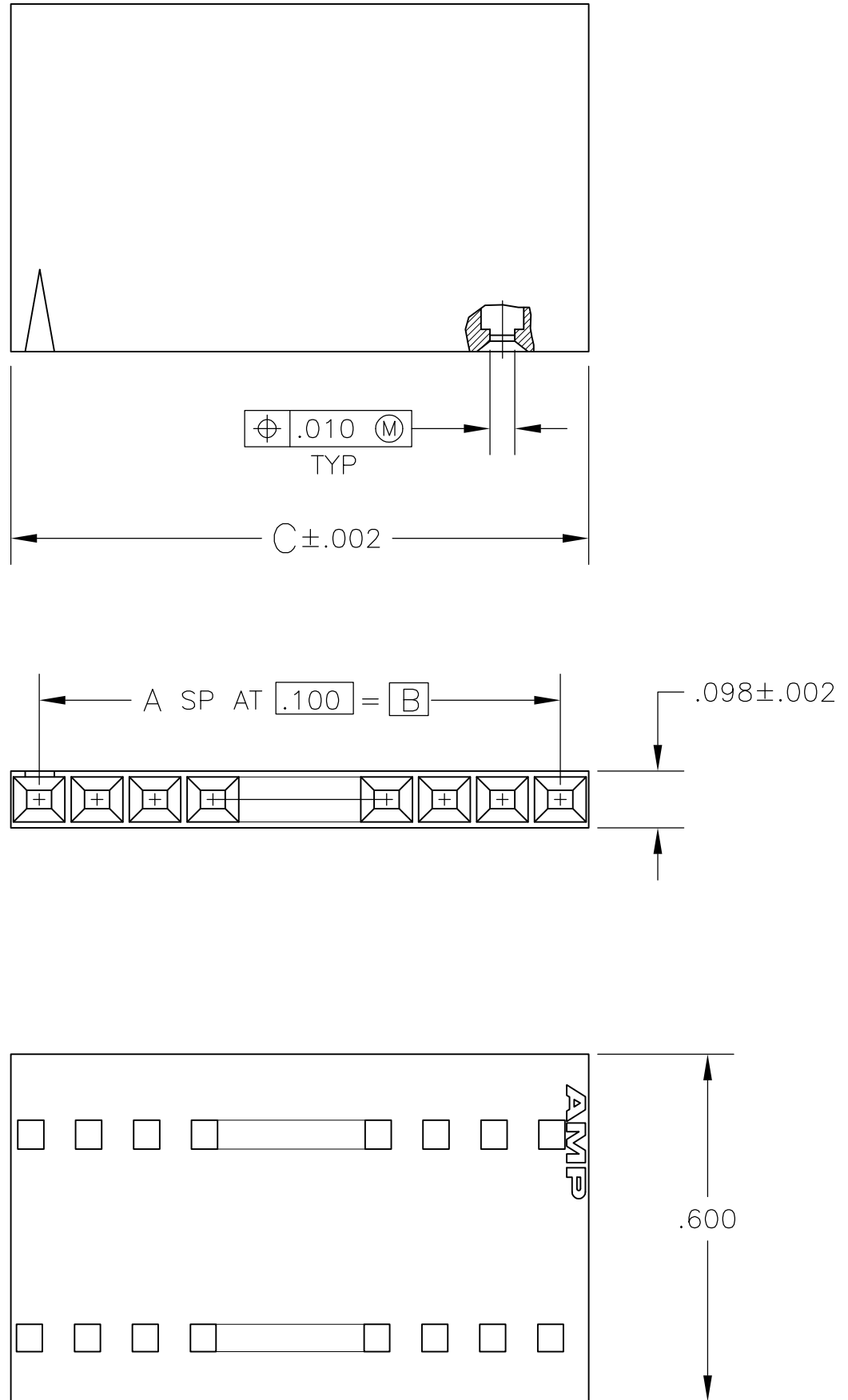


THIS DRAWING IS UNPUBLISHED. RELEASED FOR PUBLICATION
 © COPYRIGHT - By - ALL RIGHTS RESERVED.

LOC	DIST	REVISIONS					
AD	00	P	LTR	DESCRIPTION	DATE	OWN	APVD
		K1		REVISED PER ECO-11-004587	11MAR11	RK	HMR



2.498	2.400	24	25	2-103688-4
2.398	2.300	23	24	2-103688-3
2.298	2.200	22	23	2-103688-2
2.198	2.100	21	22	2-103688-1
2.098	2.000	20	21	2-103688-0
1.998	1.900	19	20	1-103688-9
1.898	1.800	18	19	1-103688-8
1.798	1.700	17	18	1-103688-7
1.698	1.600	16	17	1-103688-6
1.598	1.500	15	16	1-103688-5
1.498	1.400	14	15	1-103688-4
1.398	1.300	13	14	1-103688-3
1.298	1.200	12	13	1-103688-2
1.198	1.100	11	12	1-103688-1
1.098	1.000	10	11	1-103688-0
.998	.900	9	10	103688-9
.898	.800	8	9	103688-8
.798	.700	7	8	103688-7
.698	.600	6	7	103688-6
.598	.500	5	6	103688-5
.498	.400	4	5	103688-4
.398	.300	3	4	103688-3
.298	.200	2	3	103688-2
.198	.100	1	2	103688-1
C	B	A	NO OF POSN	PART NUMBER

THIS DRAWING IS A CONTROLLED DOCUMENT.

DWN E. BRANDBERG 25FEB94	STE TE Connectivity
CHK J. GESFORD 25FEB94	
APVD J. GESFORD 25FEB94	NAME RECEPTACLE HOUSING, AMPMODU MTE, SINGLE ROW, .100C
DIMENSIONS: mm [INCHES]	PRODUCT SPEC 108-250034
TOLERANCES UNLESS OTHERWISE SPECIFIED: 0 PLC ± - 1 PLC ± - 2 PLC ± - 3 PLC ± .005 4 PLC ± ± -	APPLICATION SPEC 114-25026
MATERIAL FLAME RETARDANT THERMOPLASTIC, COLOR-BLACK	FINISH -
WEIGHT -	SIZE A2
CUSTOMER DRAWING	SCALE 4:1 SHEET 1 of 1 REV K1

X-ON Electronics

Largest Supplier of Electrical and Electronic Components

Click to view similar products for [Headers & Wire Housings](#) category:

Click to view products by [TE Connectivity](#) manufacturer:

Other Similar products are found below :

[892-18-020-10-001101](#) [58102-G61-06LF](#) [582553-1](#) [0009485154](#) [009176003701906](#) [0050291907](#) [LY20-4P-DT1-P1E-BR](#) [02.125.8002.8](#)
[609-3404](#) [61062-3](#) [61082-181009](#) [622-3653LF](#) [63453-116](#) [636-1030](#) [636-1427](#) [636-3427](#) [636-4007](#) [641938-9](#) [641991-4](#) [644827-2](#) [65817-010LF](#) [65817-015LF](#) [65863-015LF](#) [66207-023LF](#) [67095-007LF](#) [67601157](#) [68645-018](#) [68648-049](#) [70.362.1628.0](#) [70-4210](#) [70-4226B](#) [70-4853B](#) [707-5020](#) [707-5028](#) [71.350.2428.0](#) [71918-208LF](#) [71961-016LF](#) [733-134](#) [733-162](#) [754199-000](#) [760-3052](#) [787-8014-00](#) [79531-3000](#)
[FCN-360C032-B](#) [FCN-367T-T012/H](#) [FCN-723D010/2](#) [80.063.4001.1](#) [800-90-001-10-001000](#) [800-90-010-10-002000](#) [801-43-002-10-013000](#)