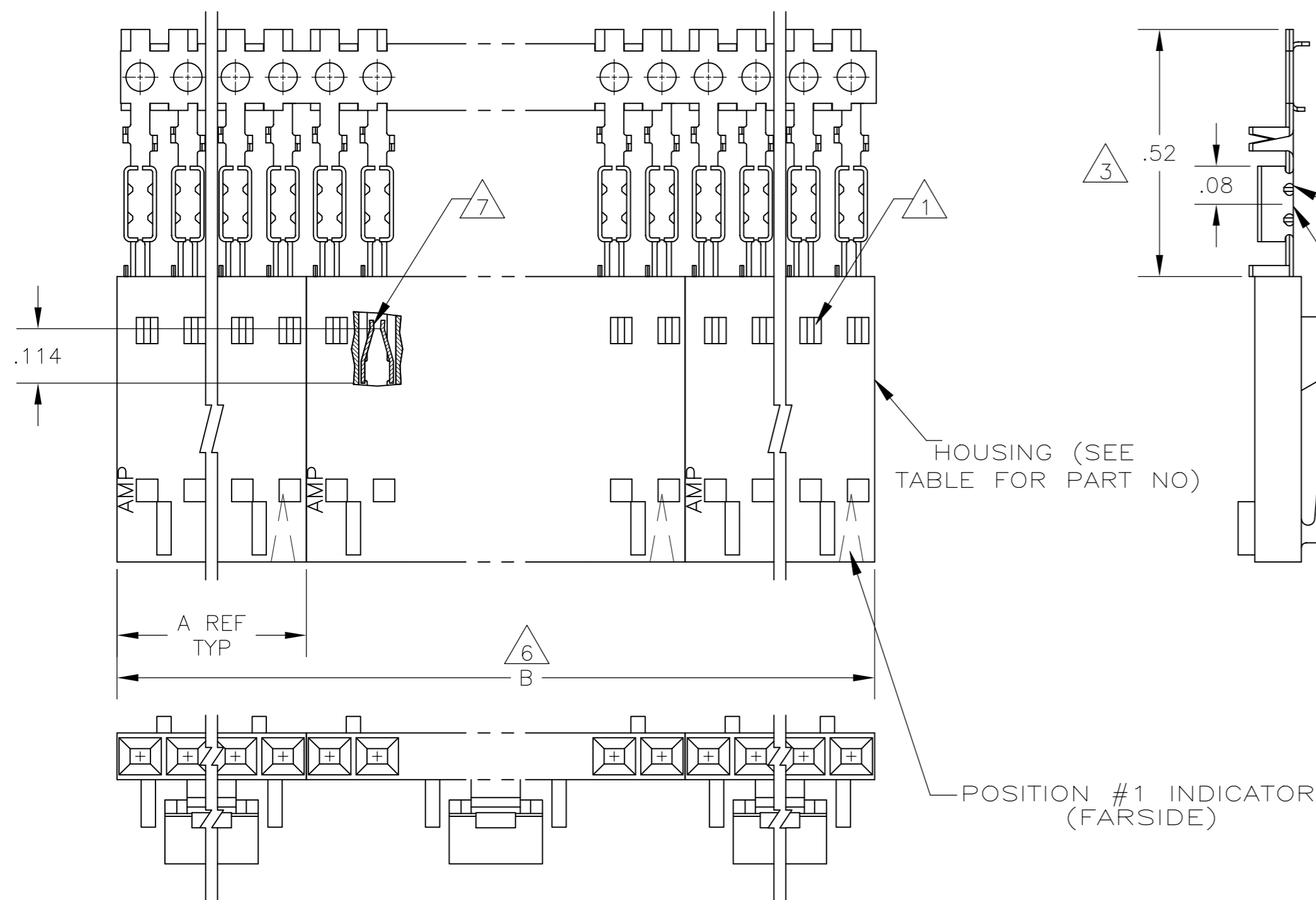
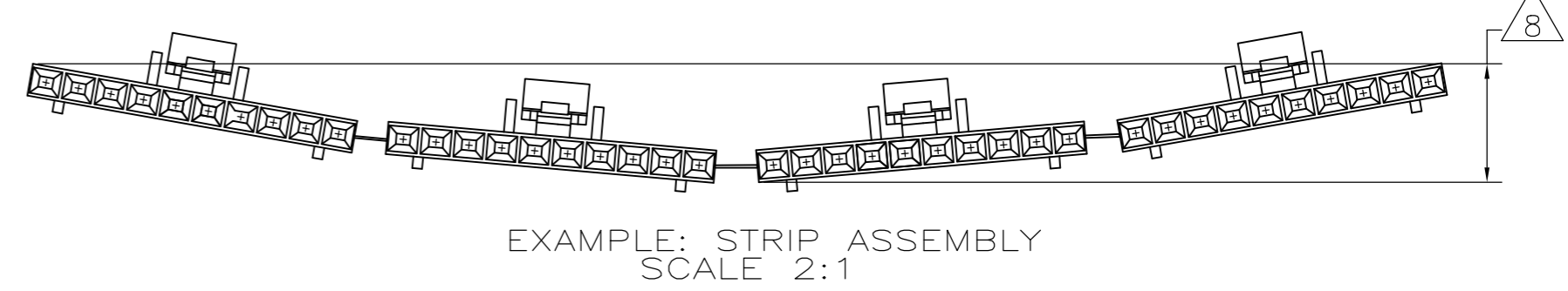


| REVISIONS | | | | | | |
|-----------|-----|---------------------------|-----------|-----|------|--|
| P | LTR | DESCRIPTION | DATE | DWN | APVD | |
| P1 | | REVISED PER ECO-11-004587 | 11MAR11 | RK | HMR | |
| P2 | | REVISED PER ECO-18-005912 | 25APR2018 | RS | MM | |



CONTACT IDENTIFICATION LETTER "B" (LOCATED IN THIS AREA)



| | | | | | | |
|---------|----|------|-------|---------------------|------------|-------------------------------|
| 12 | 2 | 2.40 | 1.198 | 1-104257-1 | 12 | 6-103956-1 |
| 12 | 2 | 2.20 | 1.098 | 1-104257-0 | 11 | 6-103956-0 |
| 12 | 2 | 2.00 | .998 | 104257-9 | 10 | 5-103956-9 |
| 12 | 2 | 1.80 | .898 | 104257-8 | 9 | 5-103956-8 |
| 12 | 2 | 1.60 | .798 | 104257-7 | 8 | 5-103956-7 |
| 12 | 2 | 1.40 | .698 | 104257-6 | 7 | 5-103956-6 |
| 12 | 4 | 2.39 | .598 | 104257-5 | 6 | 5-103956-5 |
| 12 | 4 | 1.99 | .498 | 104257-4 | 5 | 5-103956-4 |
| 12 | 5 | 1.99 | .398 | 104257-3 | 4 | 5-103956-3 |
| 12 | 8 | 2.40 | .298 | 104257-2 | 3 | 5-103956-2 |
| 12 | 10 | 2.00 | .198 | 104257-1 | 2 | 5-103956-1 |
| 11 | 10 | 2 | 1.40 | 104257-6 | 7 | 1-103956-8 |
| 11 | 10 | 2 | 1.60 | 104257-7 | 8 | 1-103956-7 |
| 11 | 10 | 4 | 2.39 | 104257-5 | 6 | 1-103956-6 |
| 11 | 10 | 4 | 1.99 | 104257-4 | 5 | 1-103956-5 |
| 11 | 10 | 5 | 1.99 | 104257-3 | 4 | 1-103956-4 |
| 11 | 10 | 8 | 2.40 | 104257-2 | 3 | 1-103956-3 |
| 11 | 10 | 10 | 2.00 | 104257-1 | 2 | 1-103956-2 |
| 9 | 2 | 2.40 | 1.198 | 1-104257-1 | 12 | 1-103956-1 |
| 9 | 2 | 2.20 | 1.098 | 1-104257-0 | 11 | 1-103956-0 |
| 9 | 2 | 2.00 | .998 | 104257-9 | 10 | 103956-9 |
| 9 | 2 | 1.80 | .898 | 104257-8 | 9 | 103956-8 |
| 9 | 2 | 1.60 | .798 | 104257-7 | 8 | 103956-7 |
| 9 | 2 | 1.40 | .698 | 104257-6 | 7 | 103956-6 |
| 9 | 4 | 2.39 | .598 | 104257-5 | 6 | 103956-5 |
| 9 | 4 | 1.99 | .498 | 104257-4 | 5 | 103956-4 |
| 9 | 5 | 1.99 | .398 | 104257-3 | 4 | 103956-3 |
| 9 | 8 | 2.40 | .298 | 104257-2 | 3 | 103956-2 |
| 9 | 10 | 2.00 | .198 | 104257-1 | 2 | 103956-1 |
| PLATING | 6 | B | A | HOUSING PART NUMBER | NO OF POSN | ASSEMBLY PART NUMBER ON STRIP |

- 1 CONTACTS ARE LATCHED INTO THE PRELOAD WINDOWS.
- 2 USE WITH #22-#26 AWG WIRE SIZE, .054/.030 INSULATION DIAMETER, .015 MAXIMUM INSULATION THICKNESS.
- 3 THE DIMENSION APPLIES WITH THE FORWARD PRELOAD STOP IN CONTACT WITH THE HOUSING SURFACE.
- 4 POINT OF MEASUREMENT FOR PLATING THICKNESS.
- 5 FOR INDIVIDUAL ASSEMBLIES SEE PART NUMBER 103645.
- 6 ASSEMBLIES ARE JOINED BY THE CARRIER STRIP. ORDER QUANTITY REFLECTS TOTAL NUMBER OF INDIVIDUAL ASSEMBLIES REQUIRED. SEE TABLE FOR NUMBER OF ASSEMBLIES PER STRIP.
- 7 POINT OF MEASUREMENT FOR PLATING THICKNESS (INSIDE BEAMS)
- 8 MAXIMUM ALLOWABLE BOW OF ASSEMBLY NOT TO EXCEED .055.
- 9 .000100-.000200 BRIGHT TIN-LEAD OVER .000050 NICKEL.
- 10 .000100-.000200 BRIGHT TIN OVER .000050 NICKEL.
- 11 PRELIMINARY PART - NOT RELEASED FOR PRODUCTION.
- 12 .000100-.000200 MATTE TIN OVER .000050 NICKEL.

THIS DRAWING IS A CONTROLLED DOCUMENT.

| | | | |
|-----------------------|--|---|--|
| DIMENSIONS: INCHES | TOLERANCES UNLESS OTHERWISE SPECIFIED: 0 PLC ± - 1 PLC ± - 2 PLC ± .02 3 PLC ± .005 4 PLC ± - ANGLES ± - | DWN 11-4-86 L A MAYER CHK 11-12-86 P de Jong APVD 11-12-86 P de Jong | NAME RCPT ASSY, AMPMODU MTE, SINGLE ROW, .100 C/L, LATCHED & POLARIZED, FOR #22-#26 AWG WIRE SIZE, STRIP FORM |
| MATERIAL HOUSING: | SEE TABLE | 108-25034 APPLICATION SPEC 114-25026 | SIZE CAGE CODE DRAWING NO A2 00779 C=103956 |
| CUSTOMER DRAWING | | SCALE 4:1 | SHEET 1 OF 1 REV P2 |

STE TE Connectivity Ltd.

X-ON Electronics

Largest Supplier of Electrical and Electronic Components

Click to view similar products for [Headers & Wire Housings](#) category:

Click to view products by [TE Connectivity](#) manufacturer:

Other Similar products are found below :

[892-18-020-10-001101](#) [58102-G61-06LF](#) [582553-1](#) [0009485154](#) [009176003701906](#) [0050291907](#) [LY20-4P-DT1-P1E-BR](#) [02.125.8002.8](#)
[609-3404](#) [61062-3](#) [61082-181009](#) [622-3653LF](#) [63453-116](#) [636-1030](#) [636-1427](#) [636-3427](#) [636-4007](#) [641938-9](#) [641991-4](#) [644827-2](#) [65817-](#)
[010LF](#) [65817-015LF](#) [65863-015LF](#) [66207-023LF](#) [67095-007LF](#) [67601157](#) [68645-018](#) [68648-049](#) [70.362.1628.0](#) [70-4210](#) [70-4226B](#) [70-](#)
[4853B](#) [707-5020](#) [707-5028](#) [71.350.2428.0](#) [71918-208LF](#) [71961-016LF](#) [733-134](#) [733-162](#) [754199-000](#) [760-3052](#) [787-8014-00](#) [79531-3000](#)
[FCN-360C032-B](#) [FCN-367T-T012/H](#) [FCN-723D010/2](#) [80.063.4001.1](#) [800-90-001-10-001000](#) [800-90-010-10-002000](#) [801-43-002-10-013000](#)