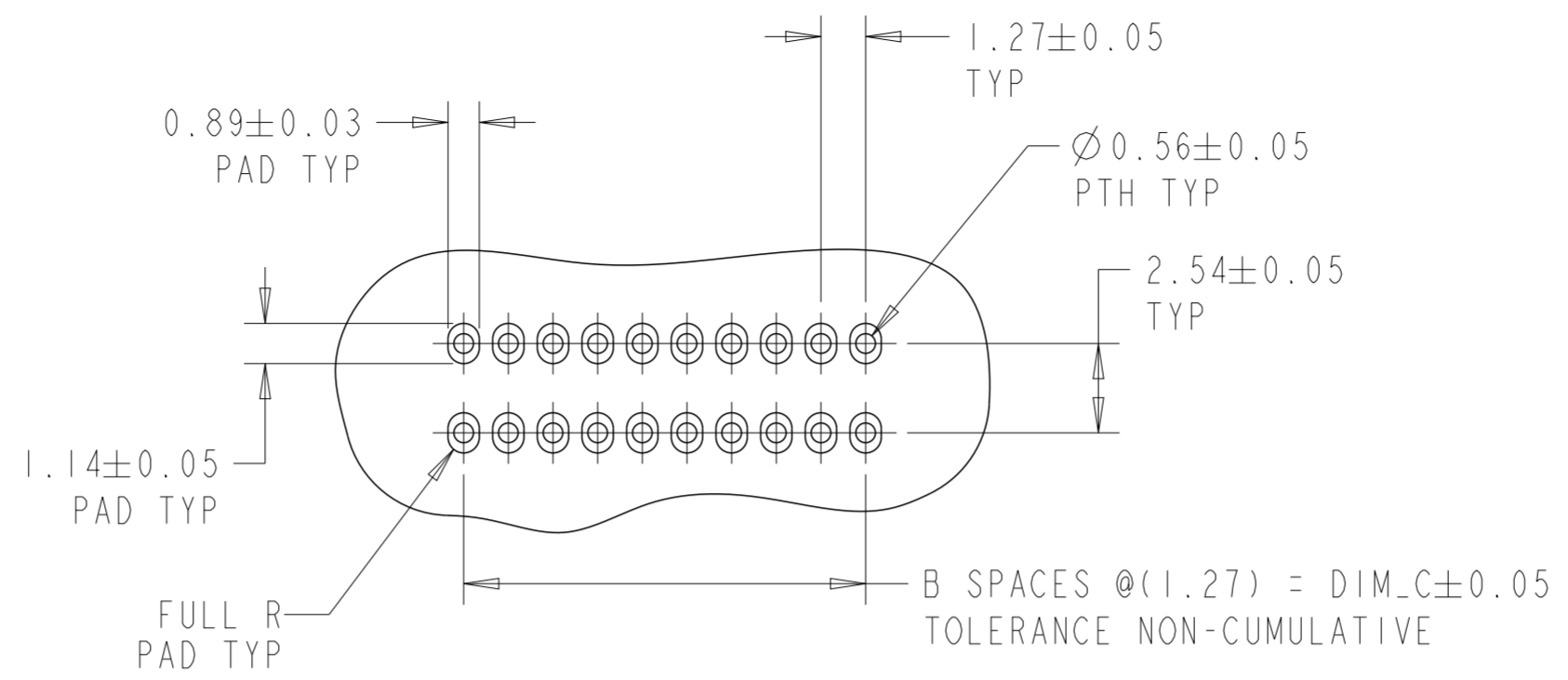


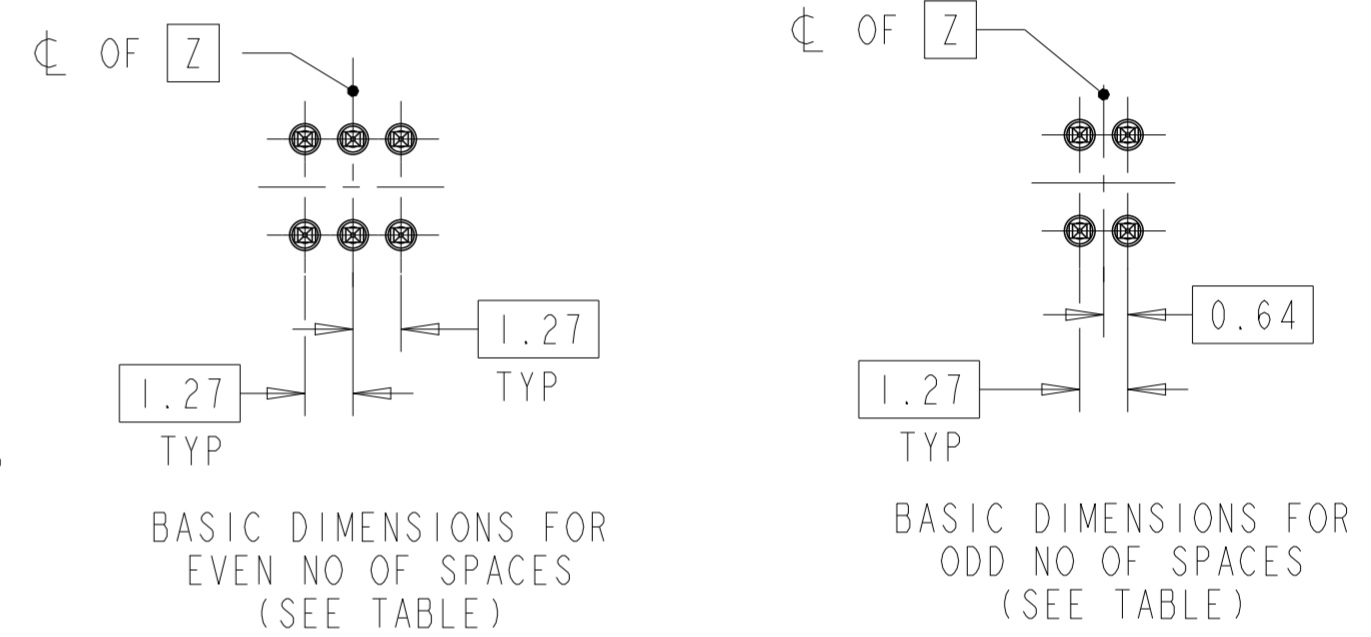
THIS DRAWING IS UNPUBLISHED. RELEASED FOR PUBLICATION  
 © COPYRIGHT copyright dbTe- ALL RIGHTS RESERVED.

| REVISIONS |     |                                   |           |     |      |
|-----------|-----|-----------------------------------|-----------|-----|------|
| P         | LTR | DESCRIPTION                       | DATE      | DWN | APVD |
| R         |     | REDRAWN/REVISED PER ECO 17-001755 | 18MAY2017 | RS  | JO   |
| RI        |     | REVISED PER ECO-18-006412         | 04MAY2018 | RS  | JO   |

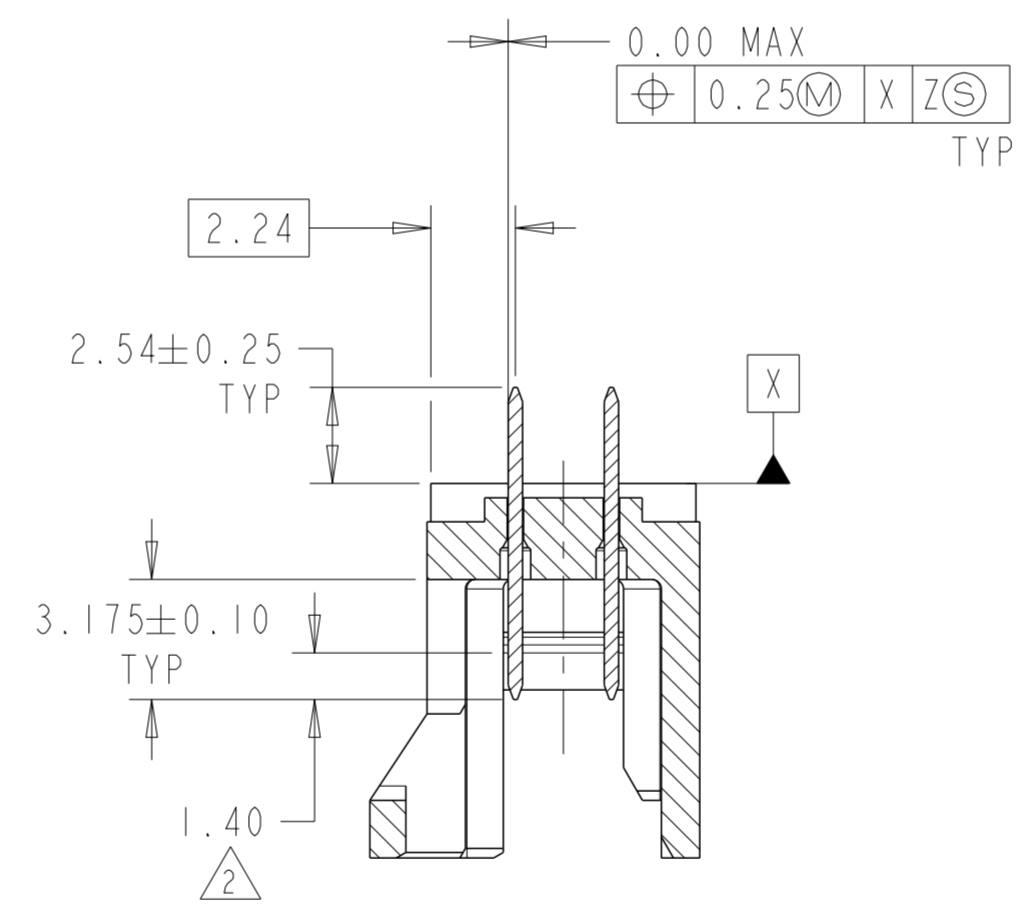
- 1 CONTACT AREA PLATED WITH 0.76µm MIN GOLD; SOLDER TAILS PLATED WITH 3.81µm MIN TIN-LEAD, ALL OVER 1.27µm MIN NICKEL.
- 2 POINT OF MEASUREMENT FOR PLATING THICKNESS.
- 3 CIRCUIT IDENTIFICATION FEATURE OMITTED ON 8,10,12 AND 14 POSN HEADER ASSEMBLIES.
- 4 DIMENSION APPLIES AT BASE OF SHROUD.
- 5 NOTE DELETED.
- 6 NOTE DELETED.
- 7 CONTACT AREA PLATED WITH 0.76µm MIN. GOLD; SOLDER TAILS PLATED WITH 3.81µm MIN TIN; ALL OVER 1.27µm MIN NICKEL.
- 8 FINISH: 0.025µm MIN GOLD ON GOLD PLATED AREA. 3.81-6.35µm MATTE TIN-LEAD ON TIN PLATED AREA. UNDER PLATING TO BE 1.27-2.54µm NICKEL ON ENTIRE CONTACT.
- 9 FINISH: 0.025µm MIN GOLD ON GOLD PLATED AREA. 3.81-6.35µm MATTE TIN ON TIN PLATED AREA. UNDER PLATING TO BE 1.27-2.54µm NICKEL ON ENTIRE CONTACT.
- 10 NOTE DELETED.
- 11 NOTE DELETED.
- 12 MATERIAL : HOUSING : LCP  
 COLOR : BLACK  
 POST : COPPER ALLOY.



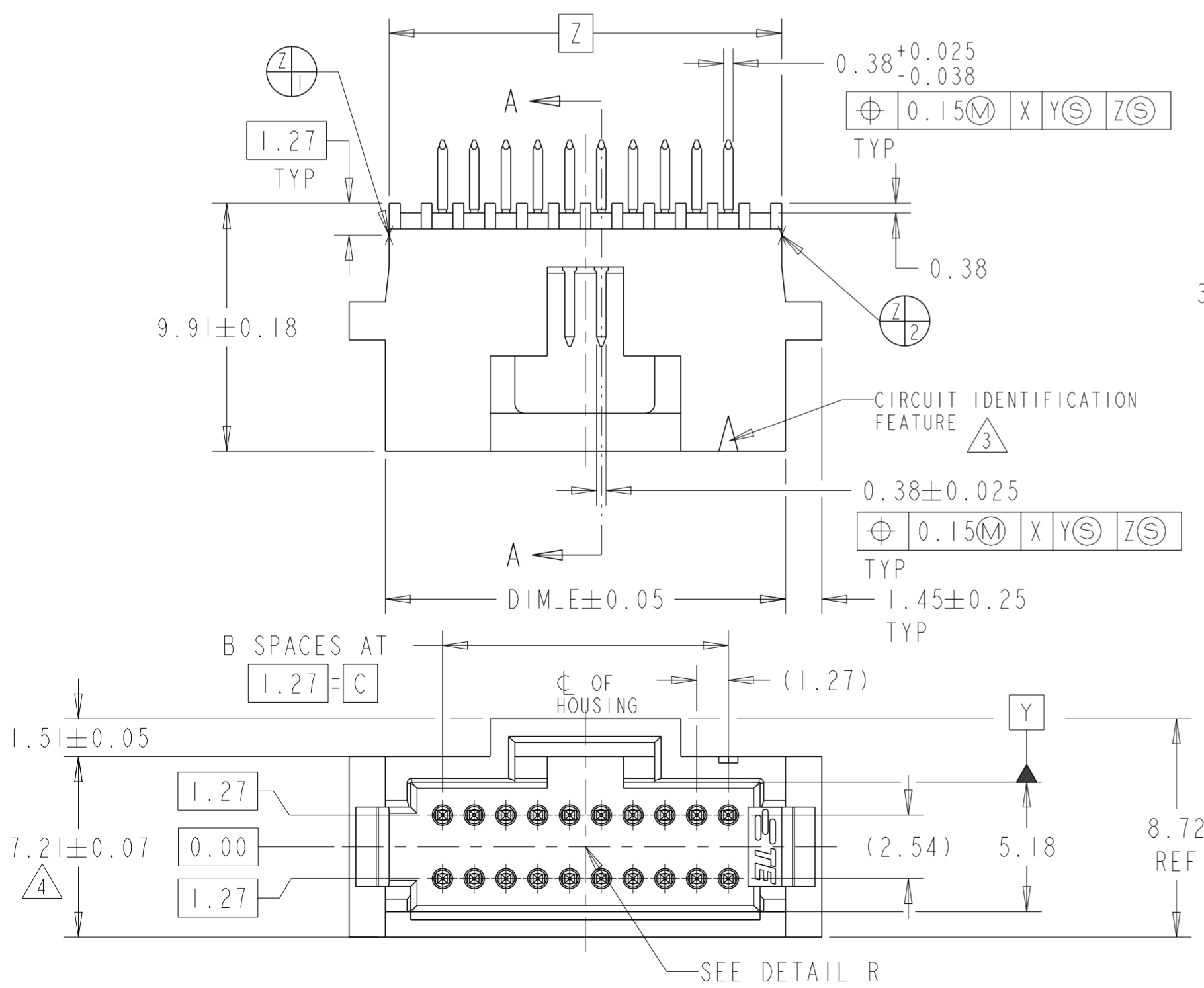
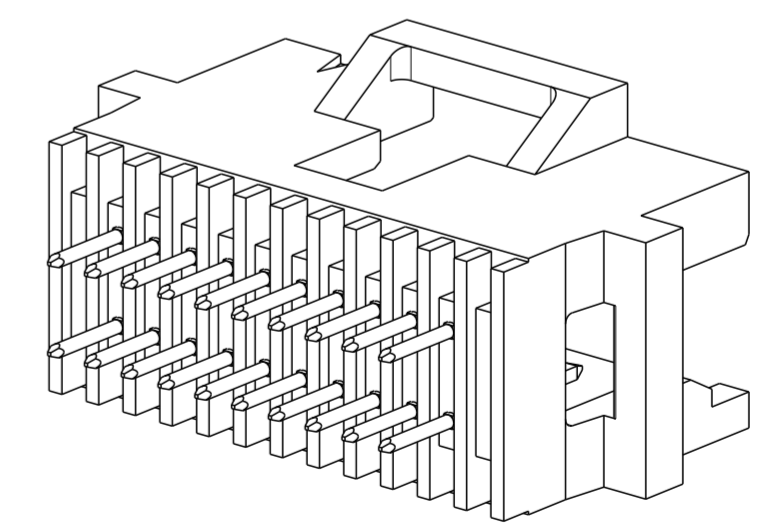
RECOMMENDED PC BOARD LAYOUT



DETAIL R



SECTION A-A



|  |  |                            |   |  |
|--|--|----------------------------|---|--|
| THIS DRAWING IS A CONTROLLED DOCUMENT. |  | DWN RAVI.S 18MAY2017       | TE Connectivity   |  |
| DIMENSIONS: mm                         |  | CHK J. OLSON 18MAY2017     |   |  |
| TOLERANCES UNLESS OTHERWISE SPECIFIED: |  | APVD J. OLSON 18MAY2017    | NAME HEADER ASSEMBLY, VERTICAL, DOUBLE ROW, W/SIDE & END LATCHES, AMPMODU System 50 |  |
| 0 PLC ±                                |  | PRODUCT SPEC 108-1093      | SIZE CAGE CODE DRAWING NO RESTRICTED TO   |  |
| 1 PLC ±0.3                             |  | APPLICATION SPEC 114-25031 | A2 - C-104068   |  |
| 2 PLC ±0.13                            |  | WEIGHT -                   | SCALE 5:1 SHEET 1 OF 2 REV R1   |  |
| 3 PLC ±                                |  | CUSTOMER DRAWING           |   |  |
| 4 PLC ±                                |  |                            |   |  |
| ANGLES ±1°                             |  |                            |   |  |
| FINISH SEE TABLE                       |  |                            |   |  |

THIS DRAWING IS UNPUBLISHED. RELEASED FOR PUBLICATION  
 © COPYRIGHT copyright.dBTe ALL RIGHTS RESERVED.

| REVISIONS |     |             |      |      |
|-----------|-----|-------------|------|------|
| P         | LTR | DESCRIPTION | DATE | APVD |
| -         |     | SEE SHEET 1 | -    | -    |
|           |     |             |      |      |
|           |     |             |      |      |

| FINISH | DIM_C | B SPACES | DIM_E | NO OF POSN | PART NUMBER | FINISH | DIM_C | B SPACES | DIM_E | NO OF POSN | PART NUMBER |
|--------|-------|----------|-------|------------|-------------|--------|-------|----------|-------|------------|-------------|
| 9      | 41.91 | 33       | 46.48 | 68         | 8-104068-8  | 8      | 41.91 | 33       | 46.48 | 68         | 3-104068-8  |
|        | 62.23 | 49       | 66.80 | 100        | 8-104068-7  |        | 62.23 | 49       | 66.80 | 100        | 3-104068-7  |
|        | 49.53 | 39       | 54.10 | 80         | 8-104068-6  |        | 49.53 | 39       | 54.10 | 80         | 3-104068-6  |
|        | 44.45 | 35       | 49.02 | 72         | 8-104068-5  |        | 44.45 | 35       | 49.02 | 72         | 3-104068-5  |
|        | 26.67 | 21       | 31.24 | 44         | 8-104068-4  |        | 26.67 | 21       | 31.24 | 44         | 3-104068-4  |
|        | 20.32 | 16       | 24.89 | 34         | 8-104068-3  |        | 20.32 | 16       | 24.89 | 34         | 3-104068-3  |
|        | 15.24 | 12       | 19.81 | 26         | 8-104068-2  |        | 15.24 | 12       | 19.81 | 26         | 3-104068-2  |
|        | 13.97 | 11       | 18.54 | 24         | 8-104068-1  |        | 13.97 | 11       | 18.54 | 24         | 3-104068-1  |
|        | 8.89  | 7        | 13.46 | 16         | 8-104068-0  |        | 8.89  | 7        | 13.46 | 16         | 3-104068-0  |
|        | 7.62  | 6        | 12.19 | 14         | 7-104068-9  |        | 7.62  | 6        | 12.19 | 14         | 2-104068-9  |
|        | 6.35  | 5        | 10.92 | 12         | 7-104068-8  |        | 6.35  | 5        | 10.92 | 12         | 2-104068-8  |
|        | 3.81  | 3        | 8.38  | 8          | 7-104068-7  |        | 3.81  | 3        | 8.38  | 8          | 2-104068-7  |
|        | 36.83 | 29       | 41.40 | 60         | 7-104068-6  |        | 36.83 | 29       | 41.40 | 60         | 2-104068-6  |
|        | 30.48 | 24       | 35.05 | 50         | 7-104068-5  |        | 30.48 | 24       | 35.05 | 50         | 2-104068-5  |
|        | 24.13 | 19       | 28.70 | 40         | 7-104068-4  |        | 24.13 | 19       | 28.70 | 40         | 2-104068-4  |
|        | 17.78 | 14       | 22.35 | 30         | 7-104068-3  |        | 17.78 | 14       | 22.35 | 30         | 2-104068-3  |
|        | 5.08  | 4        | 9.65  | 10         | 7-104068-2  |        | 5.08  | 4        | 9.65  | 10         | 2-104068-2  |
|        | 11.43 | 9        | 16.00 | 20         | 7-104068-1  |        | 11.43 | 9        | 16.00 | 20         | 2-104068-1  |
|        | 41.91 | 33       | 46.48 | 68         | 6-104068-8  |        | 41.91 | 33       | 46.48 | 68         | 1-104068-8  |
|        | 62.23 | 49       | 66.80 | 100        | 6-104068-7  |        | 62.23 | 49       | 66.80 | 100        | 1-104068-7  |
|        | 49.53 | 39       | 54.10 | 80         | 6-104068-6  |        | 49.53 | 39       | 54.10 | 80         | 1-104068-6  |
|        | 44.45 | 35       | 49.02 | 72         | 6-104068-5  |        | 44.45 | 35       | 49.02 | 72         | 1-104068-5  |
|        | 26.67 | 21       | 31.24 | 44         | 6-104068-4  |        | 26.67 | 21       | 31.24 | 44         | 1-104068-4  |
|        | 20.32 | 16       | 24.89 | 34         | 6-104068-3  |        | 20.32 | 16       | 24.89 | 34         | 1-104068-3  |
|        | 15.24 | 12       | 19.81 | 26         | 6-104068-2  |        | 15.24 | 12       | 19.81 | 26         | 1-104068-2  |
|        | 13.97 | 11       | 18.54 | 24         | 6-104068-1  |        | 13.97 | 11       | 18.54 | 24         | 1-104068-1  |
|        | 8.89  | 7        | 13.46 | 16         | 6-104068-0  |        | 8.89  | 7        | 13.46 | 16         | 1-104068-0  |
|        | 7.62  | 6        | 12.19 | 14         | 5-104068-9  |        | 7.62  | 6        | 12.19 | 14         | 104068-9    |
|        | 6.35  | 5        | 10.92 | 12         | 5-104068-8  |        | 6.35  | 5        | 10.92 | 12         | 104068-8    |
|        | 3.81  | 3        | 8.38  | 8          | 5-104068-7  |        | 3.81  | 3        | 8.38  | 8          | 104068-7    |
|        | 36.83 | 29       | 41.40 | 60         | 5-104068-6  |        | 36.83 | 29       | 41.40 | 60         | 104068-6    |
|        | 30.48 | 24       | 35.05 | 50         | 5-104068-5  |        | 30.48 | 24       | 35.05 | 50         | 104068-5    |
|        | 24.13 | 19       | 28.70 | 40         | 5-104068-4  |        | 24.13 | 19       | 28.70 | 40         | 104068-4    |
|        | 17.78 | 14       | 22.35 | 30         | 5-104068-3  |        | 17.78 | 14       | 22.35 | 30         | 104068-3    |
|        | 5.08  | 4        | 9.65  | 10         | 5-104068-2  |        | 5.08  | 4        | 9.65  | 10         | 104068-2    |
|        | 11.43 | 9        | 16.00 | 20         | 5-104068-1  |        | 11.43 | 9        | 16.00 | 20         | 104068-1    |

THIS DRAWING IS A CONTROLLED DOCUMENT.

DWN RAVI.S 18MAY2017  
 CHK J.OLSON 18MAY2017  
 APVD J.OLSON 18MAY2017

**STE** TE Connectivity

NAME: HEADER ASSEMBLY, VERTICAL, DOUBLE ROW, W/SIDE & END LATCHES, AMPMODU System 50

PRODUCT SPEC: 108-1093  
 APPLICATION SPEC: 114-25031

SIZE: A2 CAGE CODE: - DRAWING NO: C-104068 RESTRICTED TO: -

MATERIAL: FINISH SEE TABLE WEIGHT: -

CUSTOMER DRAWING SCALE: 4:1 SHEET: 2 OF 2 REV: RI

## X-ON Electronics

Largest Supplier of Electrical and Electronic Components

*Click to view similar products for [Board to Board & Mezzanine Connectors](#) category:*

*Click to view products by [TE Connectivity](#) manufacturer:*

Other Similar products are found below :

[589158040000018](#) [FCN-230C068-11](#) [FCN-268F012-G/BD](#) [FCN-268F036-G/BD](#) [FCN-268M012-G/0D](#) [FCN-268M024-G/1D](#) [FCN-723J004/1](#) [MIS-048-01-F-D-DP-K](#) [832-10-034-10-001000](#) [FX4C-80S-1.27DSA](#) [FCN-214Q030-G/0](#) [FCN-234P048-G/0](#) [FCN-235D050-G/C](#) [210-93-314-41-105000](#) [2-22603-0](#) [MDF7-40DP-2.54DSA\(55\)](#) [AXG720047](#) [5031084030](#) [MIT-114-03-F-D-K](#) [55323-1519](#) [DF33-2P-3.3DSA\(24\)](#) [YFT-20-05-H-03-SB-K](#) [503308-3040](#) [026-6203-PDB](#) [027-6203-PDB](#) [069159702701000](#) [10123981-102LF](#) [101A10019X](#) [55650-0588-C](#) [68684-306](#) [75140-7012](#) [589159005003045](#) [194261-1](#) [FCN-268F024-G0D](#) [10124054-515LF](#) [68685-603](#) [8-1616154-3](#) [MIS-019-01-F-D](#) [589159005002045](#) [541371078](#) [IL-WX-10PB-HF-B-E1000E](#) [FCN-268M024-G/3D](#) [20021832-06016C1LF](#) [KX15-20KLDL-E1000E](#) [MDF7-16DP-2.54DSA\(55\)](#) [AXE810124](#) [FCN-214J100-G/0](#) [FCN-230C068-E/S](#) [AXE812124](#) [AXE816124](#)