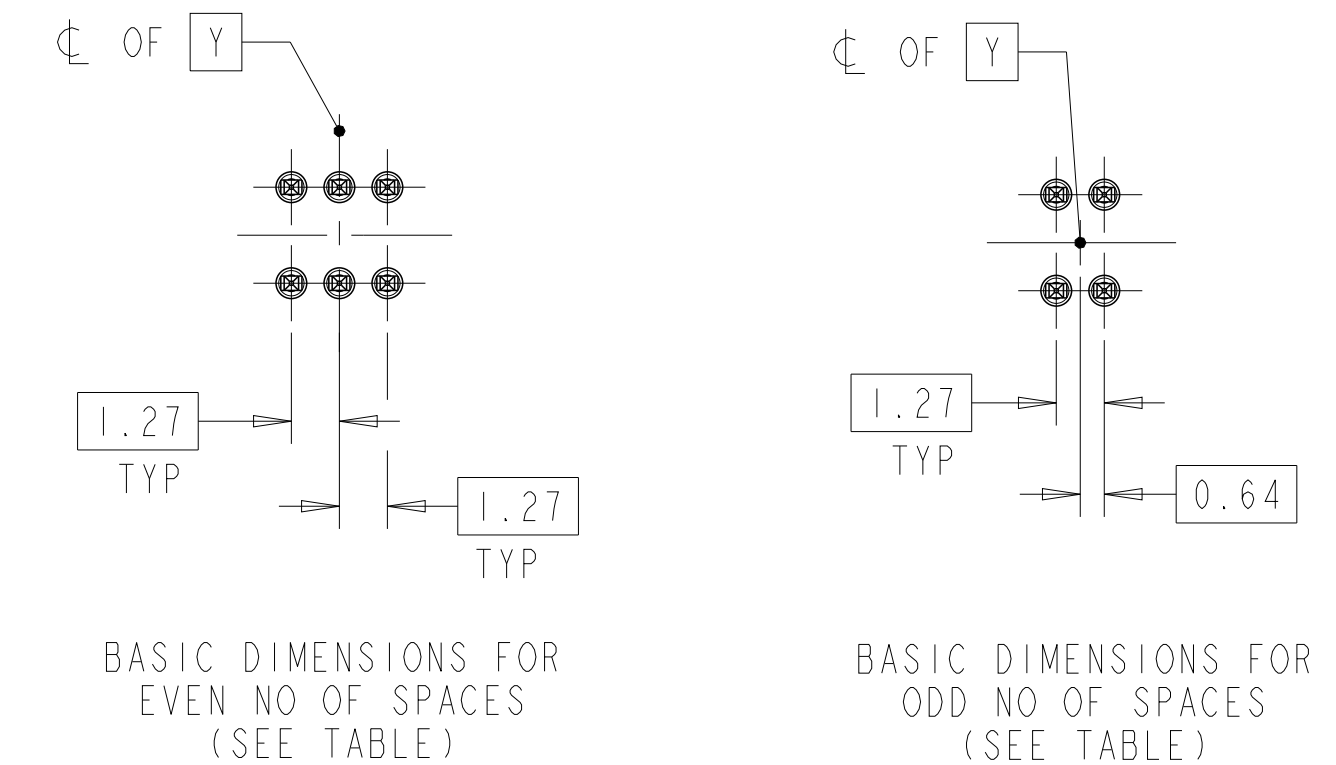
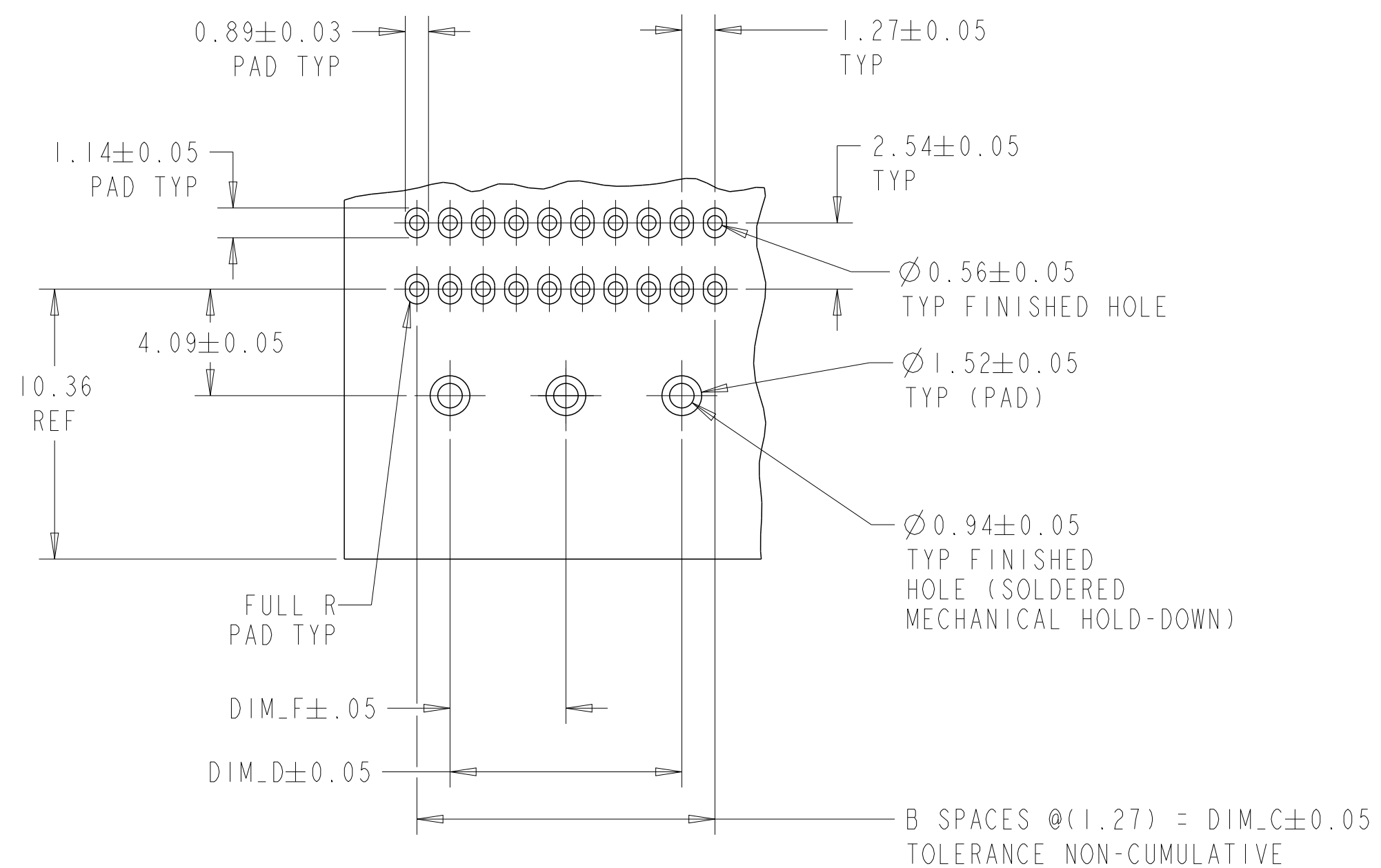
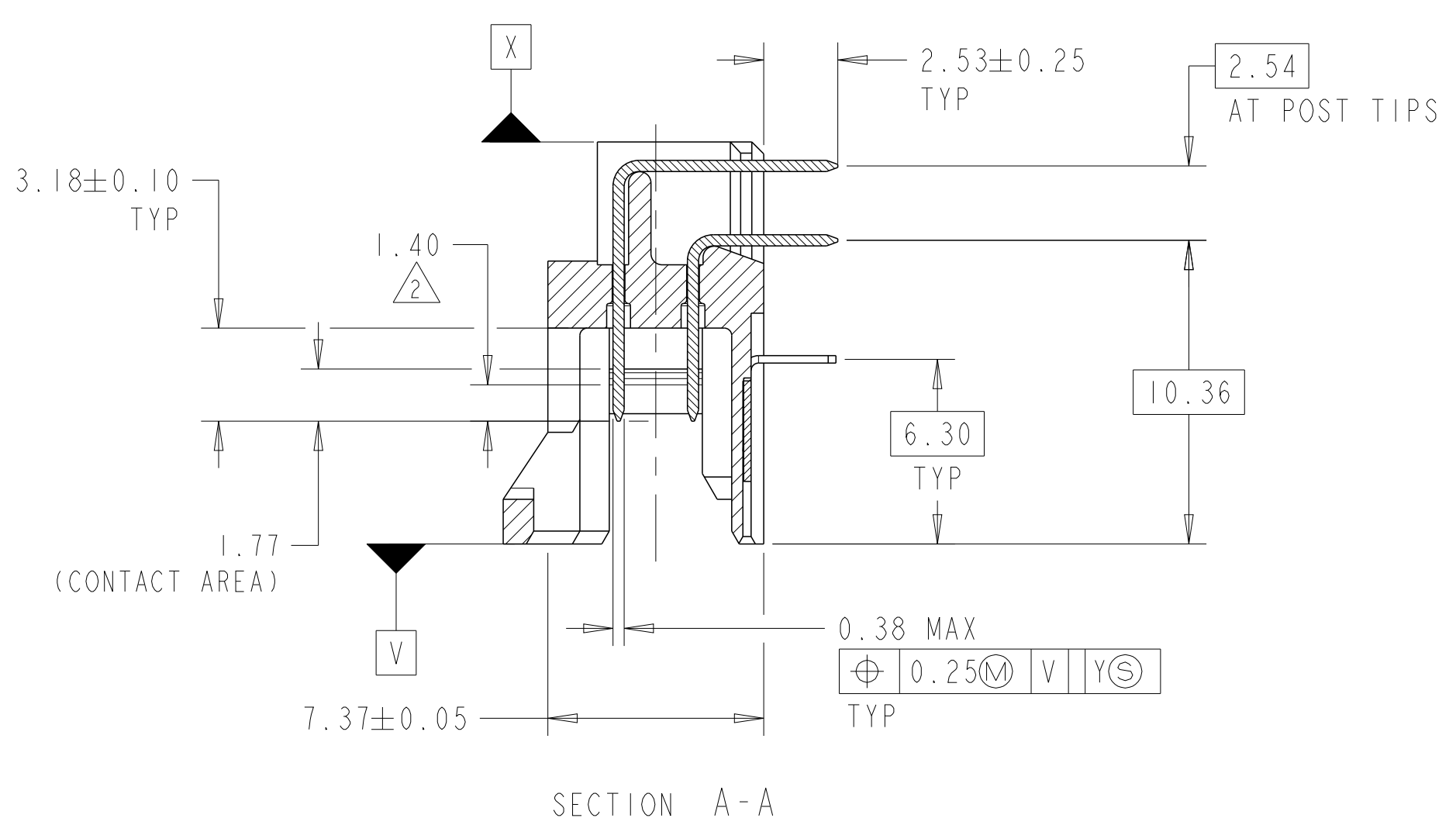
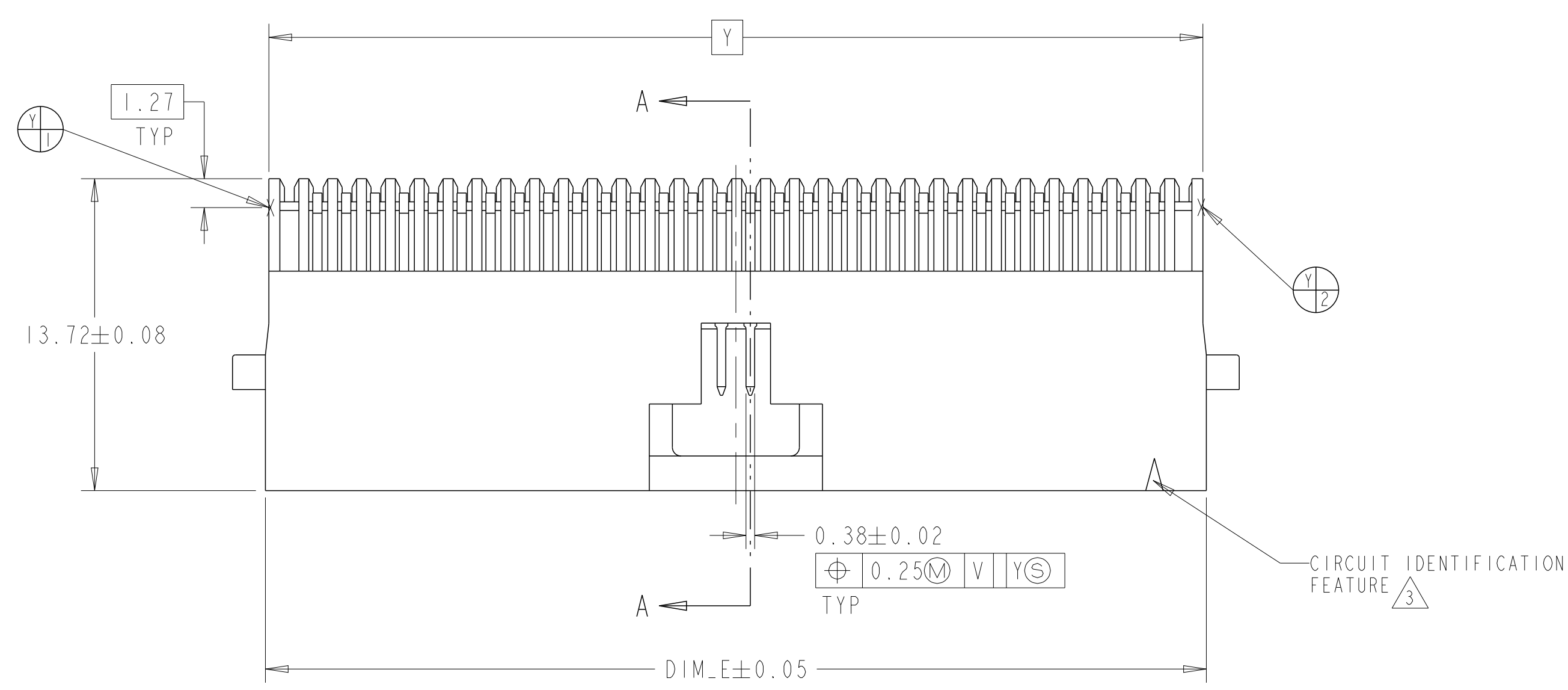


| REVISIONS | | | | |
|-----------|-----|-----------------------------------|-----------|-------|
| P | LTN | DESCRIPTION | DATE | APVD |
| AB | | REDRAWN/REVISED PER ECO-17-001755 | 18MAY2017 | RS JO |
| ABI | | REVISED PER ECO-19-011475 | 30JUL2019 | RS JO |

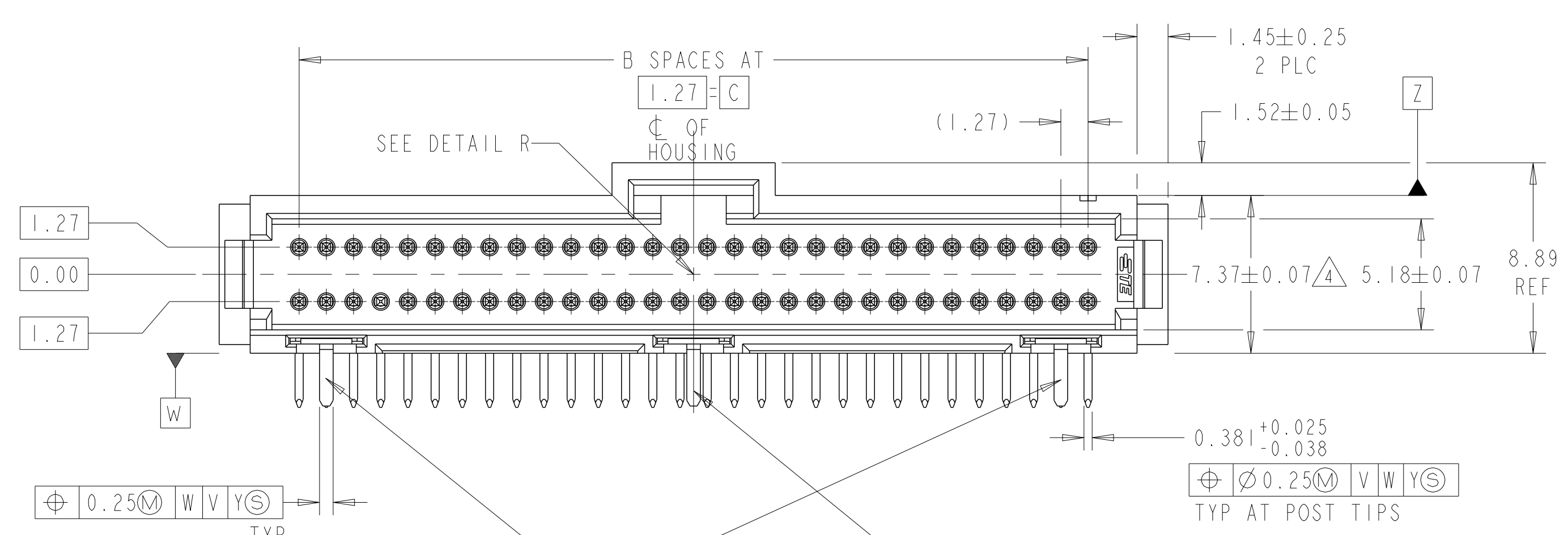
- 1 CONTACT AREA PLATED WITH 0.76µm MIN GOLD, SOLDER LEADS PLATED WITH 3.81µm TIN LEAD, ALL OVER 1.27µm NICKEL.
- 2 POINT OF MEASUREMENT FOR GOLD THICKNESS.
- 3 CIRCUIT IDENTIFICATION FEATURE OMITTED ON 8,10,12,& 14 POSITION HEADER ASSEMBLIES.
- 4 DIMENSION APPLIES AT BASE OF SHROUD.
- 5 NOTE DELETED.
- 6 CONTACT AREA PLATED WITH 0.76µm MIN GOLD, SOLDER LEADS PLATED WITH 3.81µm TIN, ALL OVER 1.27µm NICKEL.
- 7 FINISH: 0.0254µm MIN GOLD ON GOLD PLATED AREA. 3.81-6.35µm MATTE TIN-LEAD ON TIN PLATED AREA. UNDER PLATING TO BE 1.27-2.54µm NICKEL ON ENTIRE CONTACT.
- 8 FINISH: 0.0254µm MIN GOLD ON GOLD PLATED AREA. 3.81-6.35µm MATTE TIN ON TIN PLATED AREA. UNDER PLATING TO BE 1.27-2.54µm NICKEL ON ENTIRE CONTACT.
- 9 NOTE DELETED.
- 10 NOTE DELETED.
- 11 NOTE DELETED.
- 12 MATERIAL : HOUSING : LCP
COLOR : BLACK
CONTACT : COPPER ALLOY.



RECOMMENDED HOLE PATTERN

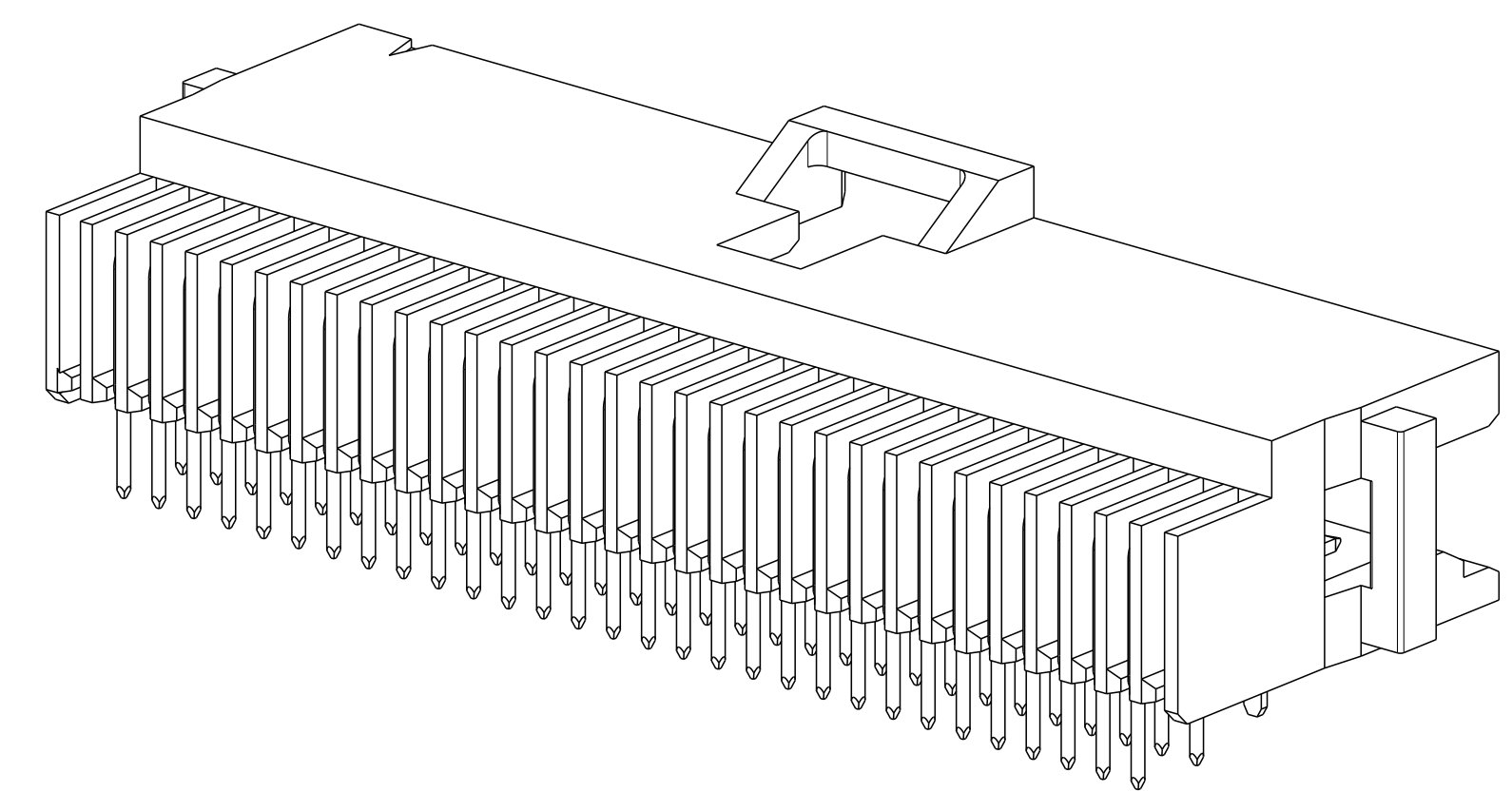


SECTION A-A



HOLD DOWN FEATURES LOCATED AS SHOWN FOR 16 THRU 100 POSN ASSEMBLIES (SEE TABLE)

HOLD DOWN FEATURES LOCATED AS SHOWN FOR 8 THRU 14&60 THRU 100 POSN ASSEMBLIES (SEE TABLE)



| | | | |
|--|-------------------|--------------------------|---|
| THIS DRAWING IS A CONTROLLED DOCUMENT. | | OWN: RAVI.S 18MAY2017 | TE Connectivity |
| DIMENSIONS: mm | | CHK: J. OLSON 18MAY2017 | |
| TOLERANCES UNLESS OTHERWISE SPECIFIED: | | APVD: J. OLSON 18MAY2017 | NAME: HEADER ASSEMBLY, RIGHT ANGLE, DOUBLE ROW, W/SIDE & END LATCHES, AMPMODU System 50 |
| 0 PLC ±0.3 | 1 PLC ±0.13 | PRODUCT SPEC 108-1093 | SIZE: A1 |
| 2 PLC ±0.13 | 3 PLC ±0.13 | APPLICATION SPEC | CAGE CODE: - |
| 4 PLC ±0.13 | ANGLES ±0.13 | 114-25031 | DRAWING NO: C=104069 |
| MATERIAL: SEE TABLE | FINISH: SEE TABLE | WEIGHT: - | RESTRICTED TO: - |
| CUSTOMER DRAWING | | SCALE: 5:1 | SHEET: 1 OF 2 |

THIS DRAWING IS UNPUBLISHED. RELEASED FOR PUBLICATION. COPYRIGHT copyright_d81e- ALL RIGHTS RESERVED.

| REVISIONS | | | | |
|-----------|-----|-------------|------|------|
| P | LTN | DESCRIPTION | DATE | APVD |
| - | - | SEE SHEET 1 | - | - |
| | | | | |
| | | | | |

| | | | | | | | | | | | | | | | |
|--------|-------|-------|-------|----------|-------|------------|-------------|--------|-------|-------|-------|----------|------------|------------|-------------|
| 8 | 19.69 | 39.37 | 41.91 | 33 | 46.48 | 68 | 8-104069-8 | 7 | 19.69 | 39.37 | 41.91 | 33 | 46.48 | 68 | 3-104069-8 |
| | 29.85 | 59.69 | 62.23 | 49 | 66.80 | 100 | 8-104069-7 | | 29.85 | 59.69 | 62.23 | 49 | 66.80 | 100 | 3-104069-7 |
| | 20.96 | 41.91 | 44.45 | 35 | 49.02 | 72 | 8-104069-6 | | 20.96 | 41.91 | 44.45 | 35 | 49.02 | 72 | 3-104069-6 |
| | - | 24.13 | 26.67 | 21 | 31.24 | 44 | 8-104069-5 | | - | 24.13 | 26.67 | 21 | 31.24 | 44 | 3-104069-5 |
| | - | 17.78 | 20.32 | 16 | 24.89 | 34 | 8-104069-4 | | - | 17.78 | 20.32 | 16 | 24.89 | 34 | 3-104069-4 |
| | - | 12.7 | 15.24 | 12 | 19.81 | 26 | 8-104069-3 | | - | 12.7 | 15.24 | 12 | 19.81 | 26 | 3-104069-3 |
| | - | 11.43 | 13.97 | 11 | 18.54 | 24 | 8-104069-2 | | - | 11.43 | 13.97 | 11 | 18.54 | 24 | 3-104069-2 |
| | - | 6.35 | 8.89 | 7 | 13.46 | 16 | 8-104069-1 | | - | 6.35 | 8.89 | 7 | 13.46 | 16 | 3-104069-1 |
| | - | - | 7.62 | 6 | 12.19 | 14 | 8-104069-0 | | - | - | 7.62 | 6 | 12.19 | 14 | 3-104069-0 |
| | - | - | 6.35 | 5 | 10.92 | 12 | 7-104069-9 | | - | - | 6.35 | 5 | 10.92 | 12 | 2-104069-9 |
| | - | - | 3.81 | 3 | 8.38 | 8 | 7-104069-8 | | - | - | 3.81 | 3 | 8.38 | 8 | 2-104069-8 |
| | 17.15 | 34.29 | 36.83 | 29 | 41.40 | 60 | 7-104069-7 | | 17.15 | 34.29 | 36.83 | 29 | 41.40 | 60 | 2-104069-7 |
| | - | 21.59 | 24.13 | 19 | 28.70 | 40 | 7-104069-6 | | - | 21.59 | 24.13 | 19 | 28.70 | 40 | 2-104069-6 |
| | - | 15.24 | 17.78 | 14 | 22.35 | 30 | 7-104069-5 | | - | 15.24 | 17.78 | 14 | 22.35 | 30 | 2-104069-5 |
| | - | - | 5.08 | 4 | 9.65 | 10 | 7-104069-4 | | - | - | 5.08 | 4 | 9.65 | 10 | 2-104069-4 |
| 23.50 | 46.99 | 49.53 | 39 | 54.10 | 80 | 7-104069-3 | 23.50 | 46.99 | 49.53 | 39 | 54.10 | 80 | 2-104069-3 | | |
| - | 27.94 | 30.48 | 24 | 35.05 | 50 | 7-104069-2 | - | 27.94 | 30.48 | 24 | 35.05 | 50 | 2-104069-2 | | |
| - | 8.89 | 11.43 | 9 | 16.00 | 20 | 7-104069-1 | - | 8.89 | 11.43 | 9 | 16.00 | 20 | 2-104069-1 | | |
| 6 | 19.69 | 39.37 | 41.91 | 33 | 46.48 | 68 | 6-104069-8 | 4 | 19.69 | 39.37 | 41.91 | 33 | 46.48 | 68 | 1-104069-8 |
| | 29.85 | 59.69 | 62.23 | 49 | 66.80 | 100 | 6-104069-7 | | 29.85 | 59.69 | 62.23 | 49 | 66.80 | 100 | 1-104069-7 |
| | 20.96 | 41.91 | 44.45 | 35 | 49.02 | 72 | 6-104069-6 | | 20.96 | 41.91 | 44.45 | 35 | 49.02 | 72 | 1-104069-6 |
| | - | 24.13 | 26.67 | 21 | 31.24 | 44 | 6-104069-5 | | - | 24.13 | 26.67 | 21 | 31.24 | 44 | 1-104069-5 |
| | - | 17.78 | 20.32 | 16 | 24.89 | 34 | 6-104069-4 | | - | 17.78 | 20.32 | 16 | 24.89 | 34 | 1-104069-4 |
| | - | 12.7 | 15.24 | 12 | 19.81 | 26 | 6-104069-3 | | - | 12.7 | 15.24 | 12 | 19.81 | 26 | 1-104069-3 |
| | - | 11.43 | 13.97 | 11 | 18.54 | 24 | 6-104069-2 | | - | 11.43 | 13.97 | 11 | 18.54 | 24 | 1-104069-2 |
| | - | 6.35 | 8.89 | 7 | 13.46 | 16 | 6-104069-1 | | - | 6.35 | 8.89 | 7 | 13.46 | 16 | 1-104069-1 |
| | - | - | 7.62 | 6 | 12.19 | 14 | 6-104069-0 | | - | - | 7.62 | 6 | 12.19 | 14 | 1-104069-0 |
| | - | - | 6.35 | 5 | 10.92 | 12 | 5-104069-9 | | - | - | 6.35 | 5 | 10.92 | 12 | 104069-9 |
| | - | - | 3.81 | 3 | 8.38 | 8 | 5-104069-8 | | - | - | 3.81 | 3 | 8.38 | 8 | 104069-8 |
| | 17.15 | 34.29 | 36.83 | 29 | 41.40 | 60 | 5-104069-7 | | 17.15 | 34.29 | 36.83 | 29 | 41.40 | 60 | 104069-7 |
| | - | 21.59 | 24.13 | 19 | 28.70 | 40 | 5-104069-6 | | - | 21.59 | 24.13 | 19 | 28.70 | 40 | 104069-6 |
| | - | 15.24 | 17.78 | 14 | 22.35 | 30 | 5-104069-5 | | - | 15.24 | 17.78 | 14 | 22.35 | 30 | 104069-5 |
| | - | - | 5.08 | 4 | 9.65 | 10 | 5-104069-4 | | - | - | 5.08 | 4 | 9.65 | 10 | 104069-4 |
| 23.50 | 46.99 | 49.53 | 39 | 54.10 | 80 | 5-104069-3 | 23.50 | 46.99 | 49.53 | 39 | 54.10 | 80 | 104069-3 | | |
| - | 27.94 | 30.48 | 24 | 35.05 | 50 | 5-104069-2 | - | 27.94 | 30.48 | 24 | 35.05 | 50 | 104069-2 | | |
| - | 8.89 | 11.43 | 9 | 16.00 | 20 | 5-104069-1 | - | 8.89 | 11.43 | 9 | 16.00 | 20 | 104069-1 | | |
| FINISH | DIM_F | DIM_D | DIM_C | B SPACES | DIM_E | NO OF POSN | PART NUMBER | FINISH | DIM_F | DIM_D | DIM_C | B SPACES | DIM_E | NO OF POSN | PART NUMBER |

THIS DRAWING IS A CONTROLLED DOCUMENT.

DIMENSIONS: mm
 TOLERANCES UNLESS OTHERWISE SPECIFIED:
 0 PLC ±0.3
 1 PLC ±0.13
 2 PLC ±0.13
 3 PLC ±0.13
 4 PLC ±0.13
 ANGLES ±0.1°
 FINISH #1*

DWN: RAVI.S 18MAY2017
 CHK: J. OLSON 18MAY2017
 APVD: J. OLSON 18MAY2017

NAME: HEADER ASSEMBLY, RIGHT ANGLE, DOUBLE ROW, W/SIDE & END LATCHES, AMPMODU System 50
 PRODUCT SPEC: 108-1093
 APPLICATION SPEC: 114-25031

MATERIAL: -
 WEIGHT: -
 CUSTOMER DRAWING

SIZE: A1
 CAGE CODE: -
 DRAWING NO: 104069
 RESTRICTED TO: -
 SCALE: 1:1
 SHEET: 2 OF 2
 REV: AB1

STE TE Connectivity

X-ON Electronics

Largest Supplier of Electrical and Electronic Components

Click to view similar products for [Board to Board & Mezzanine Connectors](#) category:

Click to view products by [TE Connectivity](#) manufacturer:

Other Similar products are found below :

[589158040000018](#) [MDF7C-18P-2.54DSA\(55\)](#) [FCN-230C068-11](#) [FCN-268F012-G/BD](#) [FCN-268F036-G/BD](#) [FCN-268M012-G/0D](#) [FCN-268M024-G/1D](#) [FCN-723J004/1](#) [MIS-048-01-F-D-DP-K](#) [832-10-034-10-001000](#) [FX4C-80S-1.27DSA](#) [FCN-214Q030-G/0](#) [FCN-234P048-G/0](#) [FCN-235D050-G/C](#) [210-93-314-41-105000](#) [2-22603-0](#) [MDF7-40DP-2.54DSA\(55\)](#) [AXG720047](#) [5031084030](#) [MIT-114-03-F-D-K](#) [55323-1519](#) [DF33-2P-3.3DSA\(24\)](#) [YFT-20-05-H-03-SB-K](#) [503308-3040](#) [026-6203-PDB](#) [027-6203-PDB](#) [069159702701000](#) [10123981-102LF](#) [101A10019X](#) [55650-0588-C](#) [68682-310LF](#) [68684-306](#) [75140-7012](#) [87471-650](#) [194261-1](#) [FCN-268F024-G0D](#) [10124054-515LF](#) [68685-603](#) [8-1616154-3](#) [MIS-019-01-F-D](#) [FCN-268M024-G/3D](#) [20021832-06016C1LF](#) [KX15-20KLDL-E1000E](#) [MDF7-16DP-2.54DSA\(55\)](#) [AXE810124](#) [FCN-214J100-G/0](#) [FCN-230C068-E/S](#) [AXE812124](#) [AXE816124](#) [AXE720127](#)