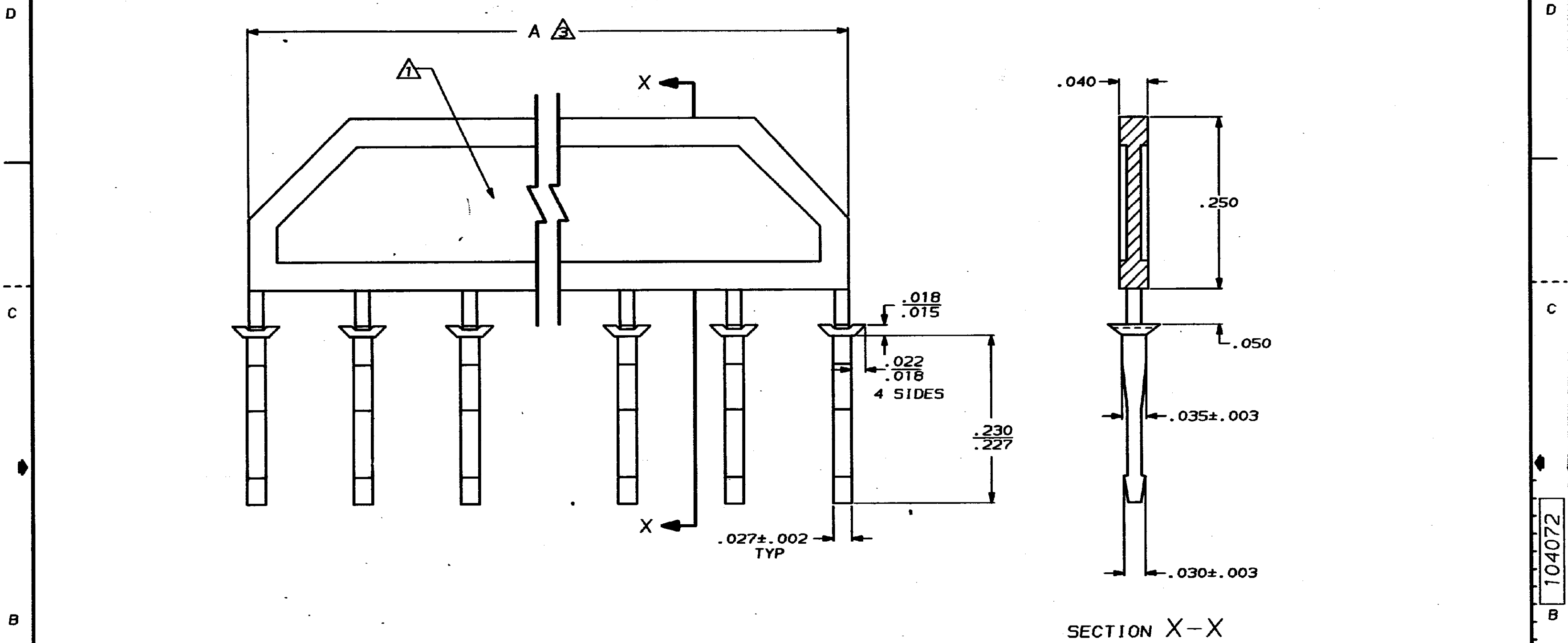


DRAWING MADE IN THIRD ANGLE PROJECTION  
 THIS DRAWING IS UNPUBLISHED. RELEASED FOR PUBLICATION, 19  
 © COPYRIGHT 19 BY AMP INCORPORATED, HARRISBURG, PA. ALL INTERNATIONAL RIGHTS  
 104072 AMP PRODUCTS MAY BE COVERED BY U.S. AND FOREIGN PATENTS AND/OR PATENTS PENDING.

LOC	DIST	P	F	ZONE	LTR	DESCRIPTION	DATE	APPROVED
AD	39					REL WAS 5990-608		
					A	REV LOC & DIST AD-4171	3-90	BF
					B	REVISED PER ECO-20-013343	25SEP20	JO



- ① "AMP" TRADEMARK ON SURFACE INDICATED
- ② MINIMUM OF EIGHT KEYING PLUGS ARE TO BE ATTACHED TO THE CARRIER
- ③ THIS DIMENSION APPLIES OVER THE CARRIER AREA, IT DOES NOT CONTROL THE KEYING PLUGS

1.372	10/2	104072-1
A	NO OF PLUGS	PART NUMBER

UNLESS OTHERWISE SPECIFIED DIMENSIONS ARE IN INCHES TOLERANCES ON:		DR 4-16-87 H HOLL		AMP INCORPORATED Harrisburg, Pa. 17105	
2 PL DEC ±-		CHK 4-16-87 L. MAYER		NAME <b>KEYING PLUGS, MTE</b>	
3 PL DEC ±.005		APPD 4-16-87 P. DeJONG			
ANGLES ±-		APPD 4-16-87 J. SCHIEFER		DRAWING NO 104072	
MATERIAL: FLAME RETARDANT THERMOPLASTIC COLOR-CLEAR		PRODUCT SPEC		FSCN NO 00779	
FINISH:		APPLICATION SPEC		SCALE 10:1	
		WEIGHT		SHEET 1 OF 1	
				REV B	

AMP 1471-7 REV 10-84

2 FEB 1980 14.51.34 52103 40020-107-CR000-00140274.364.5004.001

CUSTOMER DRAWING

104072

## X-ON Electronics

Largest Supplier of Electrical and Electronic Components

*Click to view similar products for [Headers & Wire Housings](#) category:*

*Click to view products by [TE Connectivity](#) manufacturer:*

Other Similar products are found below :

[892-18-020-10-001101](#) [58102-G61-06LF](#) [582553-1](#) [0009485154](#) [009176003701906](#) [0050291907](#) [LY20-4P-DT1-P1E-BR](#) [02.125.8002.8](#)  
[609-3404](#) [61062-3](#) [61082-181009](#) [622-3653LF](#) [63453-116](#) [636-1030](#) [636-1427](#) [636-3427](#) [636-4007](#) [641938-9](#) [641991-4](#) [644827-2](#) [65817-](#)  
[010LF](#) [65817-015LF](#) [65863-015LF](#) [66207-023LF](#) [67095-007LF](#) [67601157](#) [68645-018](#) [68648-049](#) [70.362.1628.0](#) [70-4210](#) [70-4226B](#) [70-](#)  
[4853B](#) [707-5020](#) [707-5028](#) [71.350.2428.0](#) [71918-208LF](#) [71961-016LF](#) [733-134](#) [733-162](#) [754199-000](#) [760-3052](#) [787-8014-00](#) [79531-3000](#)  
[FCN-360C032-B](#) [FCN-367T-T012/H](#) [FCN-723D010/2](#) [80.063.4001.1](#) [800-90-001-10-001000](#) [800-90-010-10-002000](#) [801-43-002-10-013000](#)