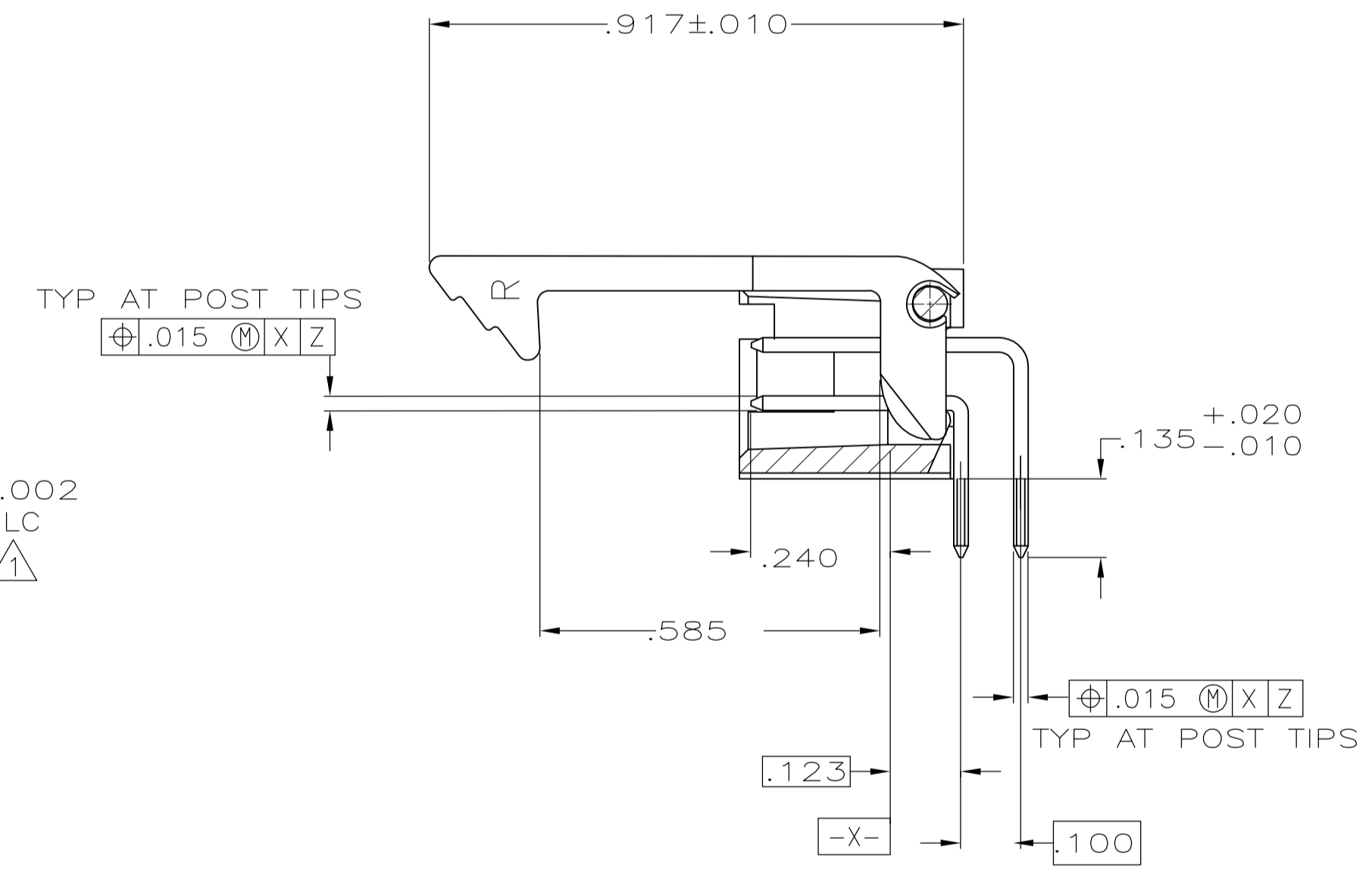
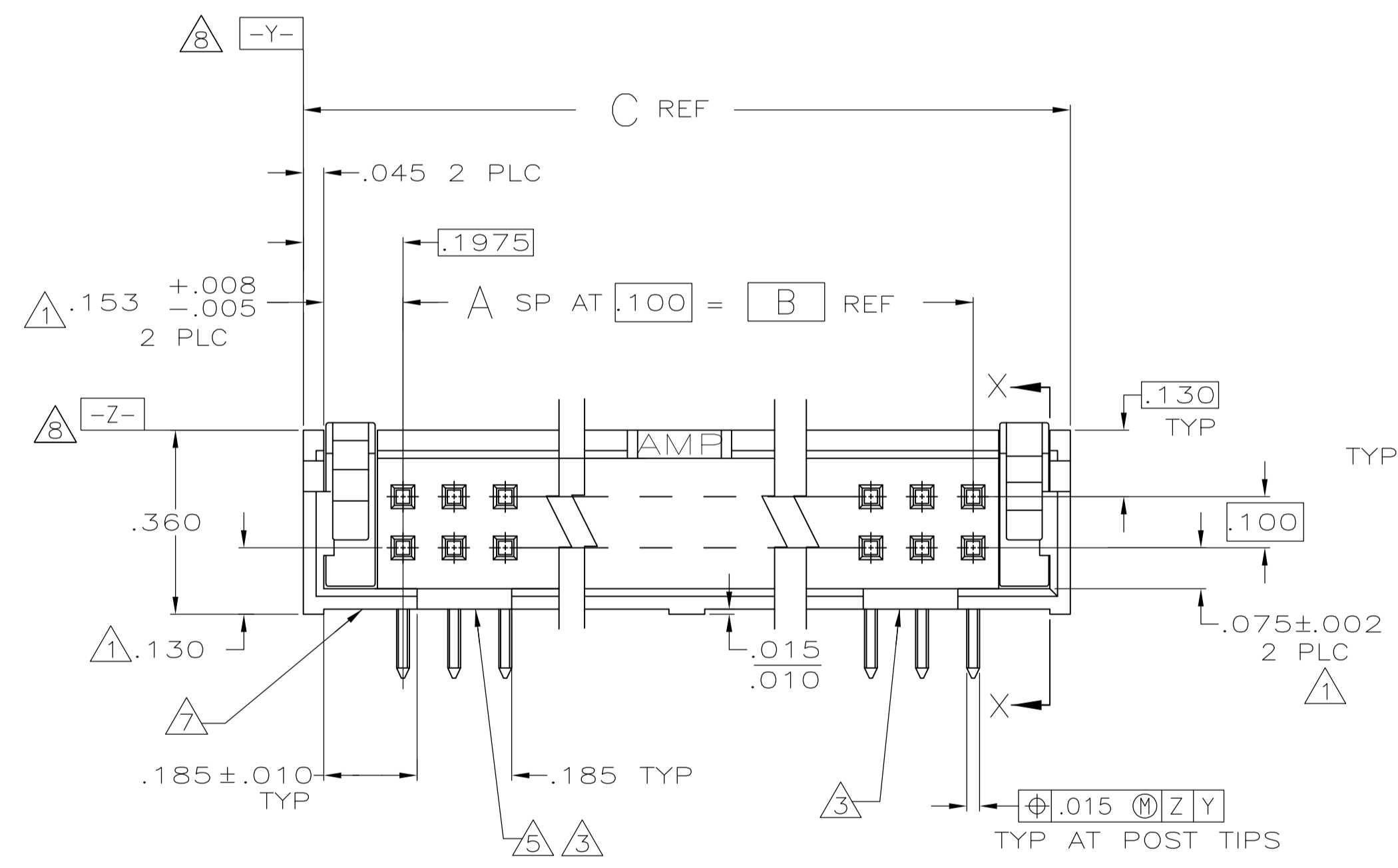
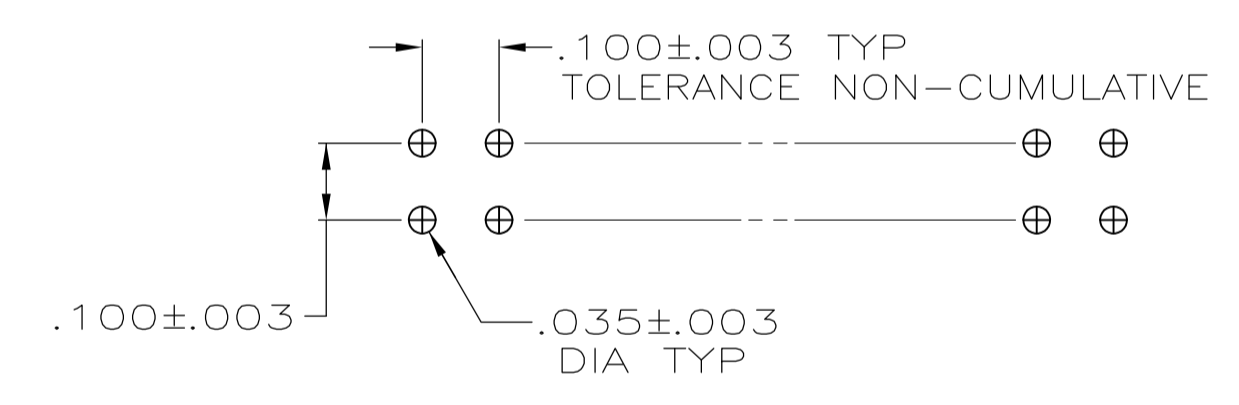


- ① THE NOTED DIMENSIONS APPLY AT THE INTERSECTION OF THE POST AND HOUSING
- ② POSTS: GOLD FLASH OVER PALLADIUM-NICKEL PLATE, .000030 MIN TOTAL ON THE MATING SURFACES, .000100 MIN TIN-LEAD PLATE ON THE SOLDER-TAILS, .000050 MIN NICKEL UNDERPLATE ON THE ENTIRE POST.  
-OR-  
.000030 MIN GOLD PLATE ON THE MATING SURFACES, .000100 MIN TIN-LEAD PLATE ON THE SOLDER-TAILS, .000050 MIN NICKEL UNDERPLATE ON THE ENTIRE POST.
- ③ DOUBLE BAR POLARIZATION
- ④ CENTER POLARIZATION SLOT
- ⑤ FOR 10 POSN ASSEMBLY, SLOT OMITTED WHERE INDICATED
- ⑥ NUMBER 1 POSITION INDICATOR.
- ⑦ OPTIONAL AMP IDENTIFICATION NUMBER (DATE CODE). LOCATION APPROXIMATELY WHERE SHOWN.



SECTION X-X



RECOMMENDED HOLE LAYOUT FOR MANUAL INSERTION

OBSOLETE	3.300	2.900	29	60	1-104130-0
OBSOLETE	2.800	2.400	24	50	104130-9
OBSOLETE	2.500	2.100	21	44	104130-8
OBSOLETE	2.300	1.900	19	40	104130-7
OBSOLETE	2.000	1.600	16	34	104130-6
	1.600	1.200	12	26	104130-5
	1.300	.900	9	20	104130-4
	1.100	.700	7	16	104130-3
	1.000	.600	6	14	104130-2
	.800	.400	4	10	104130-1
	C	B	A	NO OF POSN	ASSEMBLY PART NUMBER

THIS DRAWING IS A CONTROLLED DOCUMENT.

DIMENSIONS: INCHES	TOLERANCES UNLESS OTHERWISE SPECIFIED:	DIN H MOLL 2-26-87	CHK T CLARK 3-10-87	APVD R FLICKER 3-10-87	NAME	
0 PLC ± -	1 PLC ± -	2 PLC ± -	3 PLC ± .005	4 PLC ± -	ANGLES ± -	
MATERIAL: HOUSING: GLASS FILLED NYLON, FLAME RETARDANT, BLACK; POSTS: BRASS	FINISH	WEIGHT	SIZE	CAGE CODE	DRAWING NO	RESTRICTED TO
			A1	00779	104130	

CUSTOMER DRAWING SCALE 4:1 SHEET 1 OF 1 REV K1

STE TE Connectivity  
HEADER ASSY, LOW PROFILE, AMP-LATCH

## X-ON Electronics

Largest Supplier of Electrical and Electronic Components

*Click to view similar products for [Headers & Wire Housings](#) category:*

*Click to view products by [TE Connectivity](#) manufacturer:*

Other Similar products are found below :

[892-18-020-10-001101](#) [58102-G61-06LF](#) [582553-1](#) [0009485154](#) [009176003701906](#) [0050291907](#) [LY20-4P-DT1-P1E-BR](#) [02.125.8002.8](#)  
[609-3404](#) [61062-3](#) [61082-181009](#) [622-3653LF](#) [63453-116](#) [636-1030](#) [636-1427](#) [636-3427](#) [636-4007](#) [641938-9](#) [641991-4](#) [644827-2](#) [65817-010LF](#) [65817-015LF](#) [65863-015LF](#) [66207-023LF](#) [67095-007LF](#) [67601157](#) [68645-018](#) [68648-049](#) [70.362.1628.0](#) [70-4210](#) [70-4226B](#) [70-4853B](#) [707-5020](#) [707-5028](#) [71.350.2428.0](#) [71918-208LF](#) [71961-016LF](#) [733-134](#) [733-162](#) [754199-000](#) [760-3052](#) [787-8014-00](#) [79531-3000](#)  
[FCN-360C032-B](#) [FCN-367T-T012/H](#) [FCN-723D010/2](#) [80.063.4001.1](#) [800-90-001-10-001000](#) [800-90-010-10-002000](#) [801-43-002-10-013000](#)