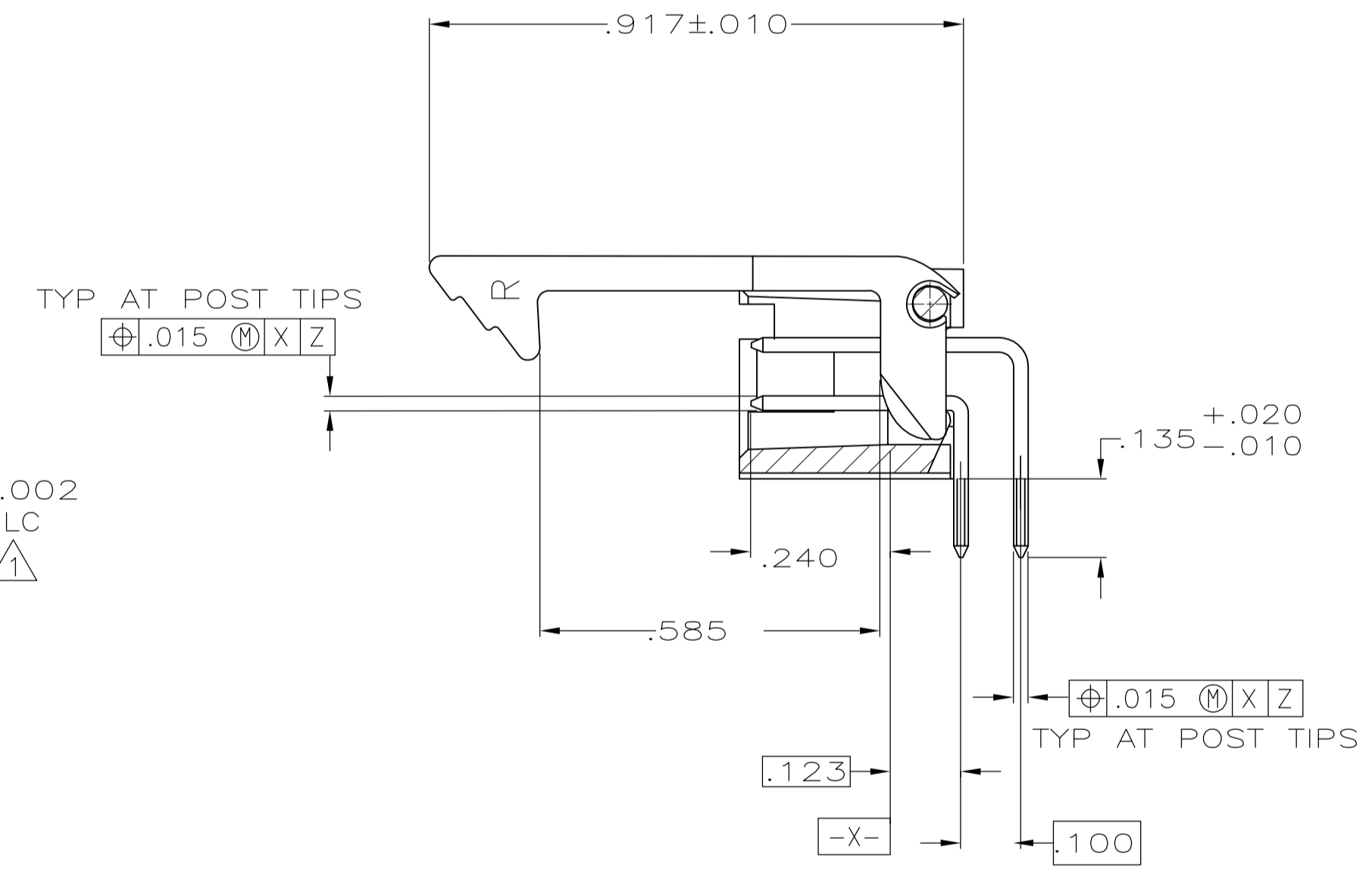
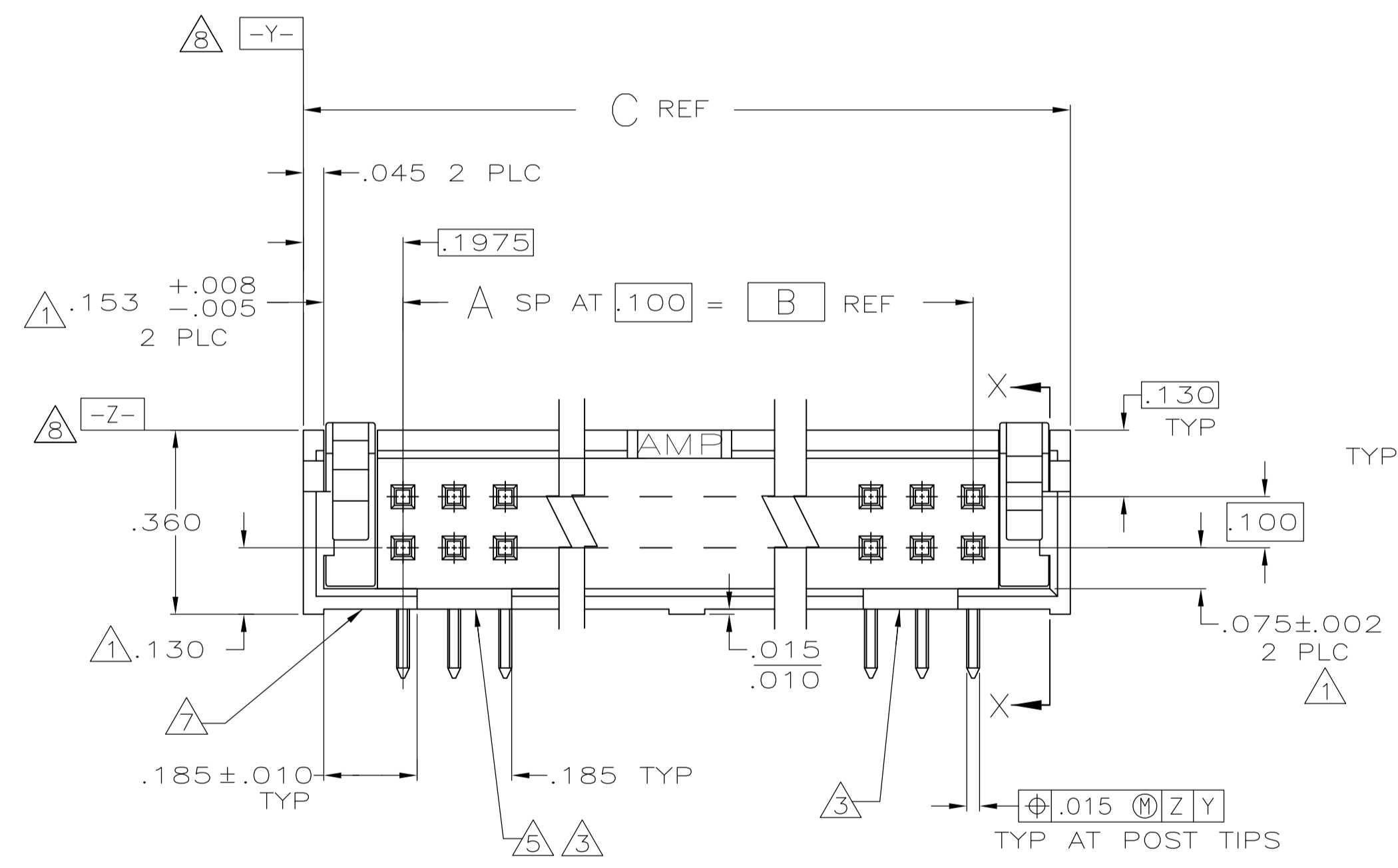
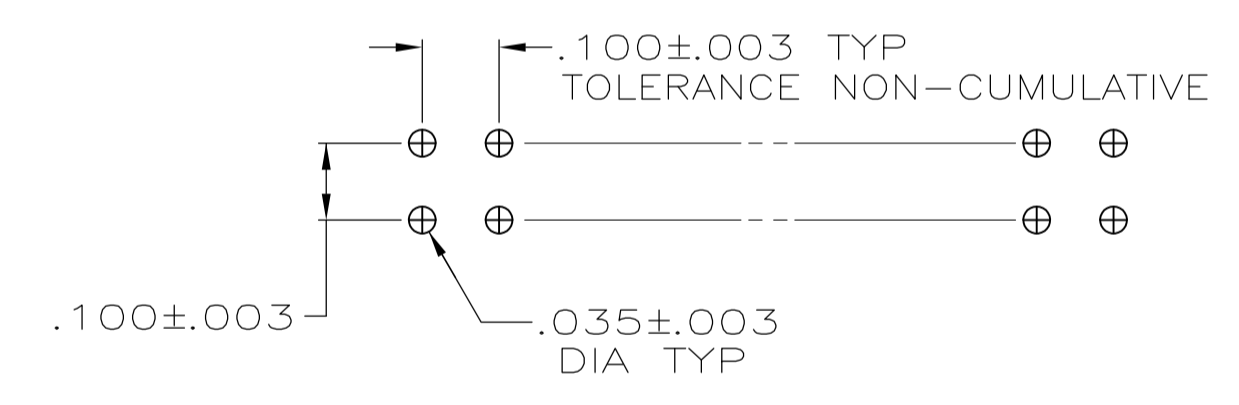


- ① THE NOTED DIMENSIONS APPLY AT THE INTERSECTION OF THE POST AND HOUSING
- ② POSTS: GOLD FLASH OVER PALLADIUM-NICKEL PLATE, .000030 MIN TOTAL ON THE MATING SURFACES, .000100 MIN TIN-LEAD PLATE ON THE SOLDER-TAILS, .000050 MIN NICKEL UNDERPLATE ON THE ENTIRE POST.  
-OR-  
.000030 MIN GOLD PLATE ON THE MATING SURFACES, .000100 MIN TIN-LEAD PLATE ON THE SOLDER-TAILS, .000050 MIN NICKEL UNDERPLATE ON THE ENTIRE POST.
- ③ DOUBLE BAR POLARIZATION
- ④ CENTER POLARIZATION SLOT
- ⑤ FOR 10 POSN ASSEMBLY, SLOT OMITTED WHERE INDICATED
- ⑥ NUMBER 1 POSITION INDICATOR.
- ⑦ OPTIONAL AMP IDENTIFICATION NUMBER (DATE CODE). LOCATION APPROXIMATELY WHERE SHOWN.



SECTION X-X



RECOMMENDED HOLE LAYOUT FOR MANUAL INSERTION

|          |       |       |    |            |                      |
|----------|-------|-------|----|------------|----------------------|
| OBSOLETE | 3.300 | 2.900 | 29 | 60         | 1-104130-0           |
| OBSOLETE | 2.800 | 2.400 | 24 | 50         | 104130-9             |
| OBSOLETE | 2.500 | 2.100 | 21 | 44         | 104130-8             |
| OBSOLETE | 2.300 | 1.900 | 19 | 40         | 104130-7             |
| OBSOLETE | 2.000 | 1.600 | 16 | 34         | 104130-6             |
|          | 1.600 | 1.200 | 12 | 26         | 104130-5             |
|          | 1.300 | .900  | 9  | 20         | 104130-4             |
|          | 1.100 | .700  | 7  | 16         | 104130-3             |
|          | 1.000 | .600  | 6  | 14         | 104130-2             |
|          | .800  | .400  | 4  | 10         | 104130-1             |
|          | C     | B     | A  | NO OF POSN | ASSEMBLY PART NUMBER |

THIS DRAWING IS A CONTROLLED DOCUMENT.

|   |  |                    |                     |                        |            |               |
|---|--|--------------------|---------------------|------------------------|------------|---------------|
| DIMENSIONS: INCHES  | TOLERANCES UNLESS OTHERWISE SPECIFIED: | DIN H MOLL 2-26-87 | CHK T CLARK 3-10-87 | APVD R FLICKER 3-10-87 | NAME       |               |
| 0 PLC ± -   | 1 PLC ± -                              | 2 PLC ± -          | 3 PLC ± .005        | 4 PLC ± -              | ANGLES ± - |               |
| MATERIAL: HOUSING: GLASS FILLED NYLON, FLAME RETARDANT, BLACK; POSTS: BRASS | FINISH                                 | WEIGHT             | SIZE                | CAGE CODE              | DRAWING NO | RESTRICTED TO |
|   |  |                    | A1                  | 00779                  | 104130     |               |
| CUSTOMER DRAWING  |  |                    | SCALE               | 4:1                    | SHEET      | 1 OF 1        |

STE TE Connectivity  
HEADER ASSY, LOW PROFILE, AMP-LATCH

## X-ON Electronics

Largest Supplier of Electrical and Electronic Components

*Click to view similar products for [Headers & Wire Housings](#) category:*

*Click to view products by [TE Connectivity](#) manufacturer:*

Other Similar products are found below :

[892-18-020-10-001101](#) [58102-G61-06LF](#) [582553-1](#) [0009485154](#) [009176003701906](#) [0050291907](#) [LY20-4P-DT1-P1E-BR](#) [02.125.8002.8](#)  
[609-3404](#) [61062-3](#) [61082-181009](#) [622-3653LF](#) [63453-116](#) [636-1030](#) [636-1427](#) [636-3427](#) [636-4007](#) [641938-9](#) [641991-4](#) [644827-2](#) [65817-010LF](#) [65817-015LF](#) [65863-015LF](#) [66207-023LF](#) [67095-007LF](#) [67601157](#) [68645-018](#) [68648-049](#) [70.362.1628.0](#) [70-4210](#) [70-4226B](#) [70-4853B](#) [707-5020](#) [707-5028](#) [71.350.2428.0](#) [71918-208LF](#) [71961-016LF](#) [733-134](#) [733-162](#) [754199-000](#) [760-3052](#) [787-8014-00](#) [79531-3000](#)  
[FCN-360C032-B](#) [FCN-367T-T012/H](#) [FCN-723D010/2](#) [80.063.4001.1](#) [800-90-001-10-001000](#) [800-90-010-10-002000](#) [801-43-002-10-013000](#)