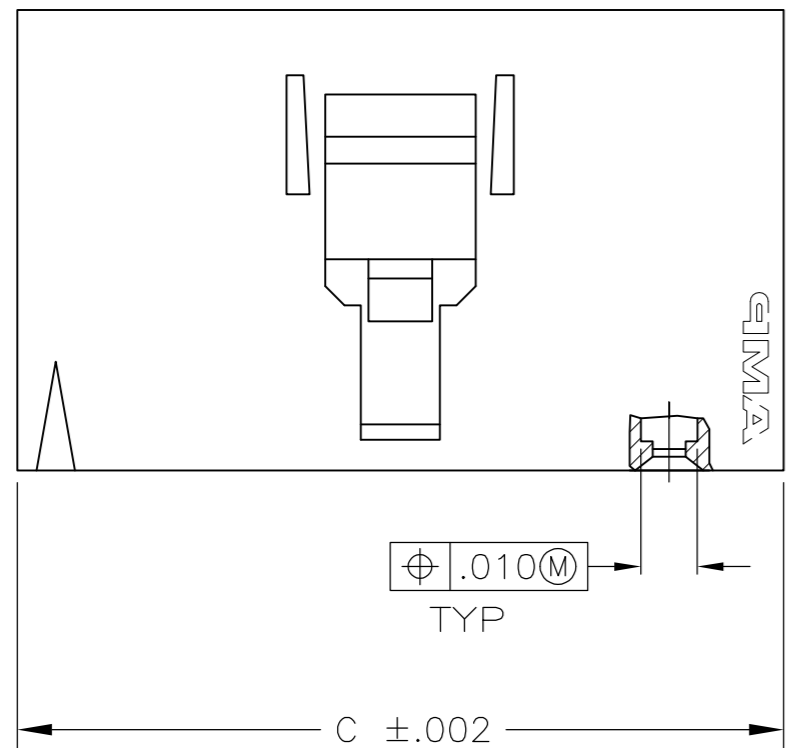
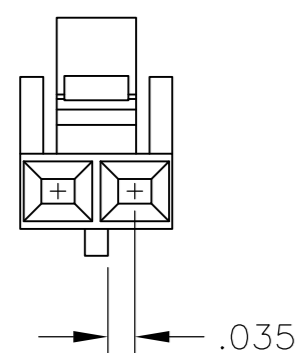
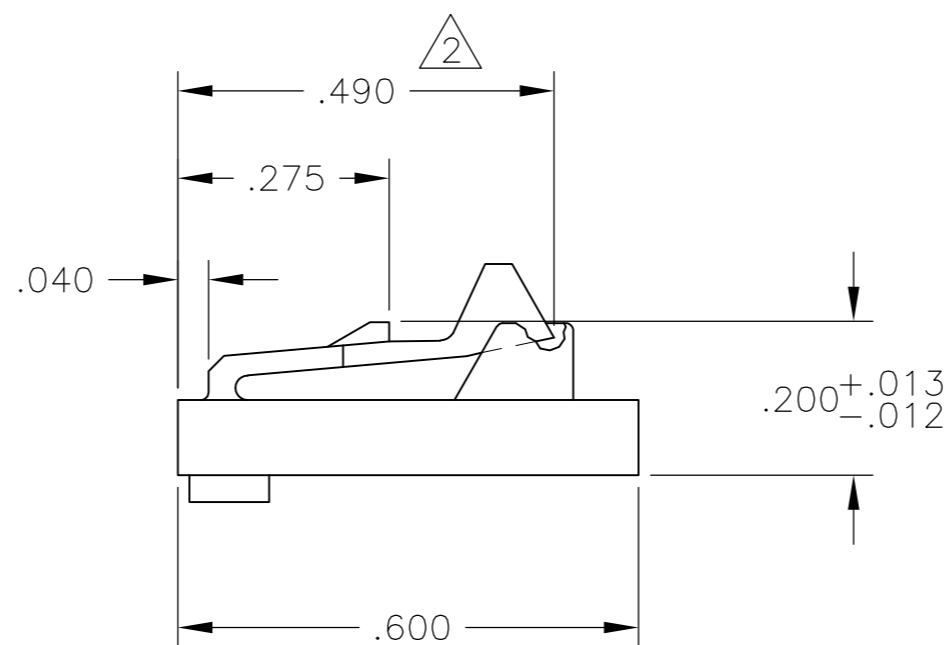
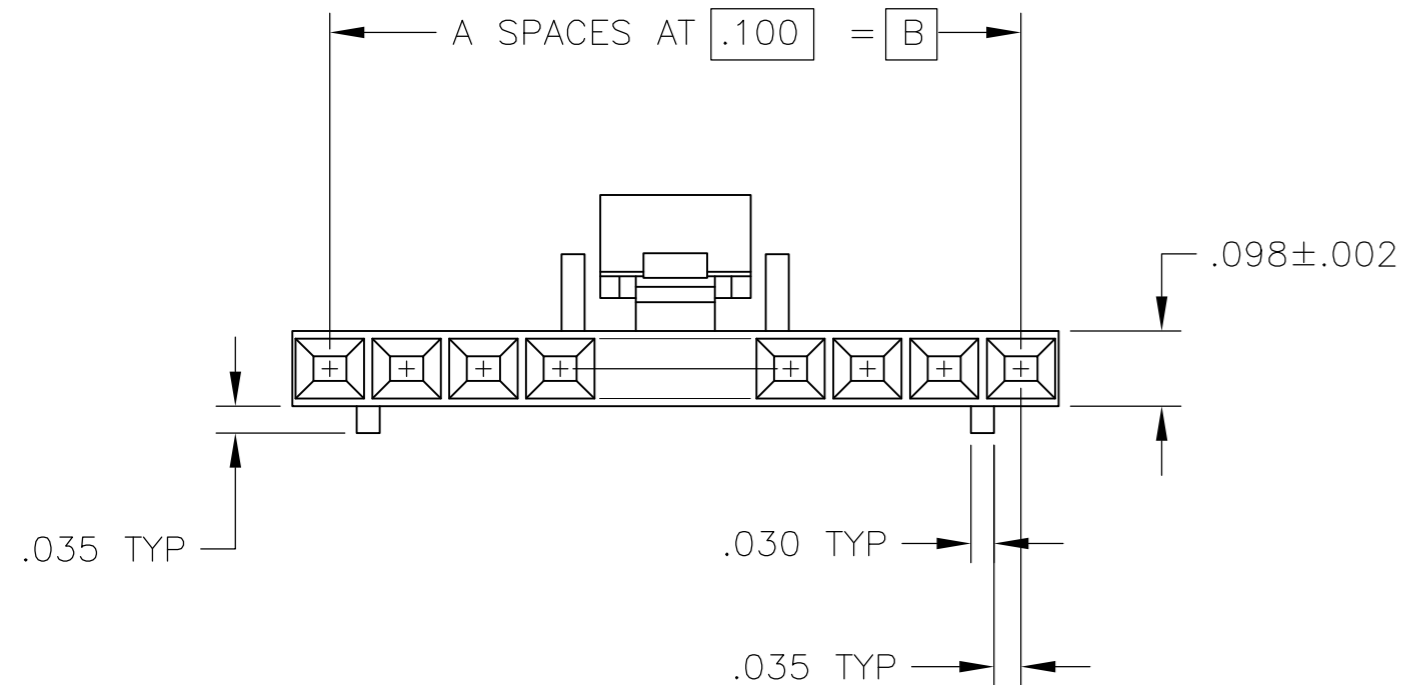


THIS DRAWING IS UNPUBLISHED. RELEASED FOR PUBLICATION
 © COPYRIGHT - By - ALL RIGHTS RESERVED.

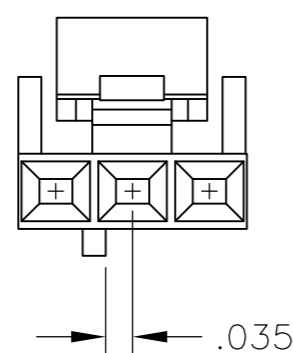
| LOC | | DIST | | REVISIONS | | | |
|-----|-----|-------------|--|---------------------------|---------|------|-----|
| P | LTR | DESCRIPTION | | DATE | DWN | APVD | |
| AD | 00 | F3 | | REVISED PER ECO-11-010839 | 25MAY11 | RK | HMR |



1 MATERIAL: FLAME RETARDANT THERMOPLASTIC, COLOR- BLACK.
 2 THIS DIMENSION .480 FOR 2 POSN ONLY



DETAIL FOR -1 ONLY
(2 POSITION)



DETAIL FOR -2 ONLY
(3 POSITION)

| | | | | |
|-------|-------|----|----|------------|
| 2.498 | 2.400 | 24 | 25 | 2-104257-4 |
| 2.398 | 2.300 | 23 | 24 | 2-104257-3 |
| 2.298 | 2.200 | 22 | 23 | 2-104257-2 |
| 2.198 | 2.100 | 21 | 22 | 2-104257-1 |
| 2.098 | 2.000 | 20 | 21 | 2-104257-0 |
| 1.998 | 1.900 | 19 | 20 | 1-104257-9 |
| 1.898 | 1.800 | 18 | 19 | 1-104257-8 |
| 1.798 | 1.700 | 17 | 18 | 1-104257-7 |
| 1.698 | 1.600 | 16 | 17 | 1-104257-6 |
| 1.598 | 1.500 | 15 | 16 | 1-104257-5 |
| 1.498 | 1.400 | 14 | 15 | 1-104257-4 |
| 1.398 | 1.300 | 13 | 14 | 1-104257-3 |
| 1.298 | 1.200 | 12 | 13 | 1-104257-2 |
| 1.198 | 1.100 | 11 | 12 | 1-104257-1 |
| 1.098 | 1.000 | 10 | 11 | 1-104257-0 |
| .998 | .900 | 9 | 10 | 104257-9 |
| .898 | .800 | 8 | 9 | 104257-8 |
| .798 | .700 | 7 | 8 | 104257-7 |
| .698 | .600 | 6 | 7 | 104257-6 |
| .598 | .500 | 5 | 6 | 104257-5 |
| .498 | .400 | 4 | 5 | 104257-4 |
| .398 | .300 | 3 | 4 | 104257-3 |
| .298 | .200 | 2 | 3 | 104257-2 |
| .198 | .100 | 1 | 2 | 104257-1 |

| C | B | A | NO OF POSN | PART NUMBER |
|---|---|---|------------|-------------|
|---|---|---|------------|-------------|

| | | | | |
|--|--------|-----------------------------|-----------|--------------|
| THIS DRAWING IS A CONTROLLED DOCUMENT. | | DWN | R BROWN | 02FEB2006 |
| DIMENSIONS: INCHES | | CHK | J GESFORD | 02FEB2006 |
| TOLERANCES UNLESS OTHERWISE SPECIFIED: | | APVD | J GESFORD | 02FEB2006 |
| 0 PLC | ± - | NAME | | |
| 1 PLC | ± - | RECEPTACLE HOUSING, AMPMODU | | |
| 2 PLC | ± - | MTE, SINGLE ROW, .100CL | | |
| 3 PLC | ± .005 | POLARIZED WITH LATCH | | |
| 4 PLC | ± - | PRODUCT SPEC | 108-25034 | |
| ANGLES | ± - | APPLICATION SPEC | 114-25026 | |
| FINISH | - | WEIGHT | - | |
| MATERIAL | | CUSTOMER DRAWING | | |
| 1 | | SCALE | 4:1 | SHEET 1 of 1 |
| | | REV | F3 | |

X-ON Electronics

Largest Supplier of Electrical and Electronic Components

Click to view similar products for [Headers & Wire Housings](#) category:

Click to view products by [TE Connectivity](#) manufacturer:

Other Similar products are found below :

[892-18-020-10-001101](#) [58102-G61-06LF](#) [582553-1](#) [0009485154](#) [009176003701906](#) [0050291907](#) [LY20-4P-DT1-P1E-BR](#) [02.125.8002.8](#)
[609-3404](#) [61062-3](#) [61082-181009](#) [622-3653LF](#) [63453-116](#) [636-1030](#) [636-1427](#) [636-3427](#) [636-4007](#) [641938-9](#) [641991-4](#) [644827-2](#) [65817-](#)
[010LF](#) [65817-015LF](#) [65863-015LF](#) [66207-023LF](#) [67095-007LF](#) [67601157](#) [68645-018](#) [68648-049](#) [70.362.1628.0](#) [70-4210](#) [70-4226B](#) [70-](#)
[4853B](#) [707-5020](#) [707-5028](#) [71.350.2428.0](#) [71918-208LF](#) [71961-016LF](#) [733-134](#) [733-162](#) [754199-000](#) [760-3052](#) [79531-3000](#) [FCN-](#)
[360C032-B](#) [FCN-367T-T012/H](#) [FCN-723D010/2](#) [80.063.4001.1](#) [800-90-010-10-002000](#) [801-43-002-10-013000](#) [801-43-006-10-002000](#)
[801-93-011-10-001000](#)