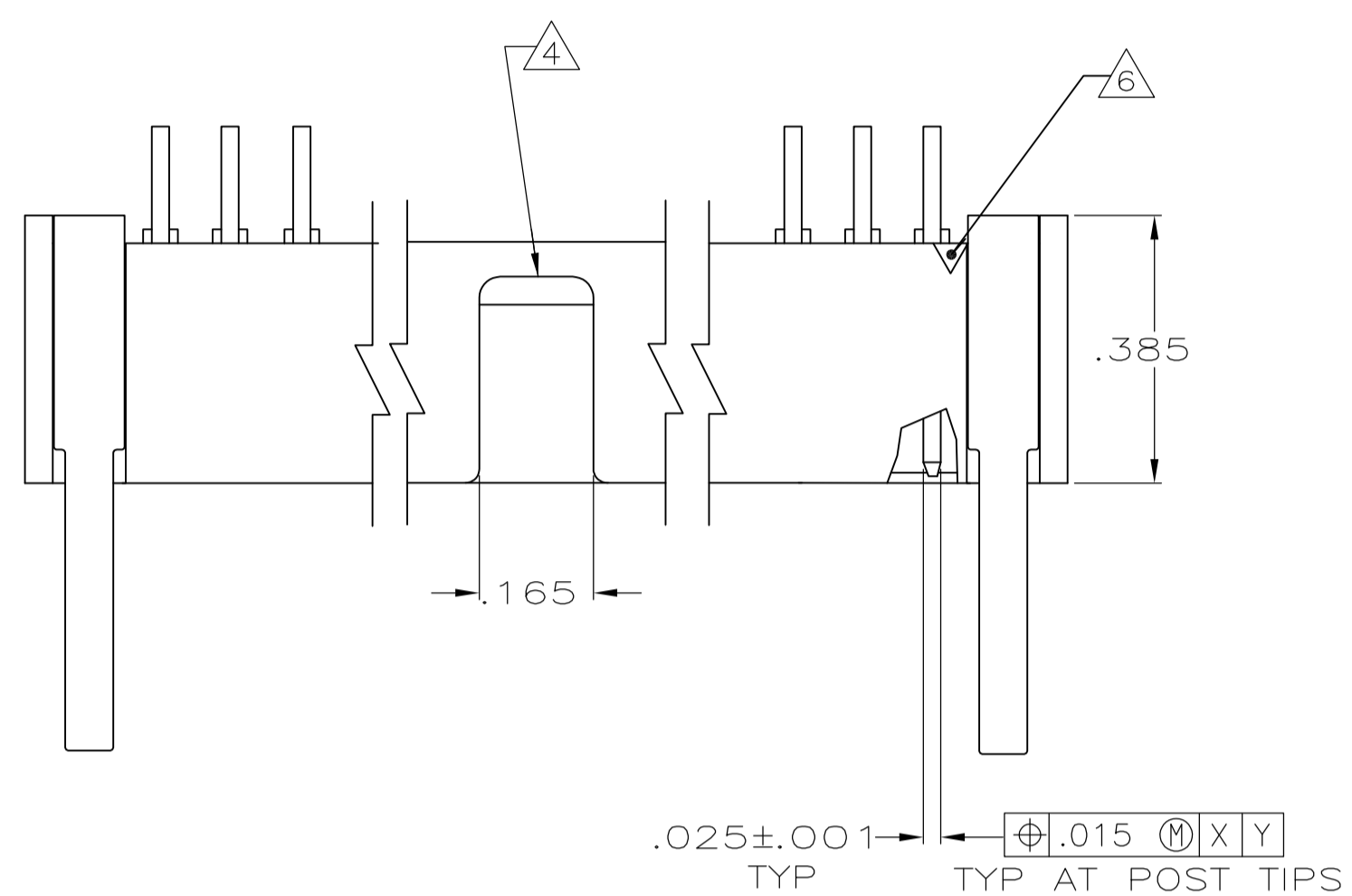
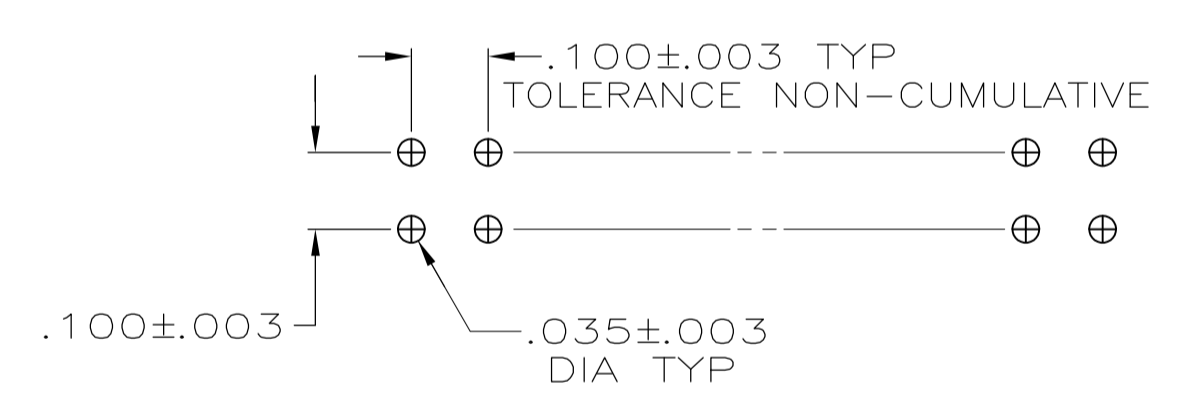
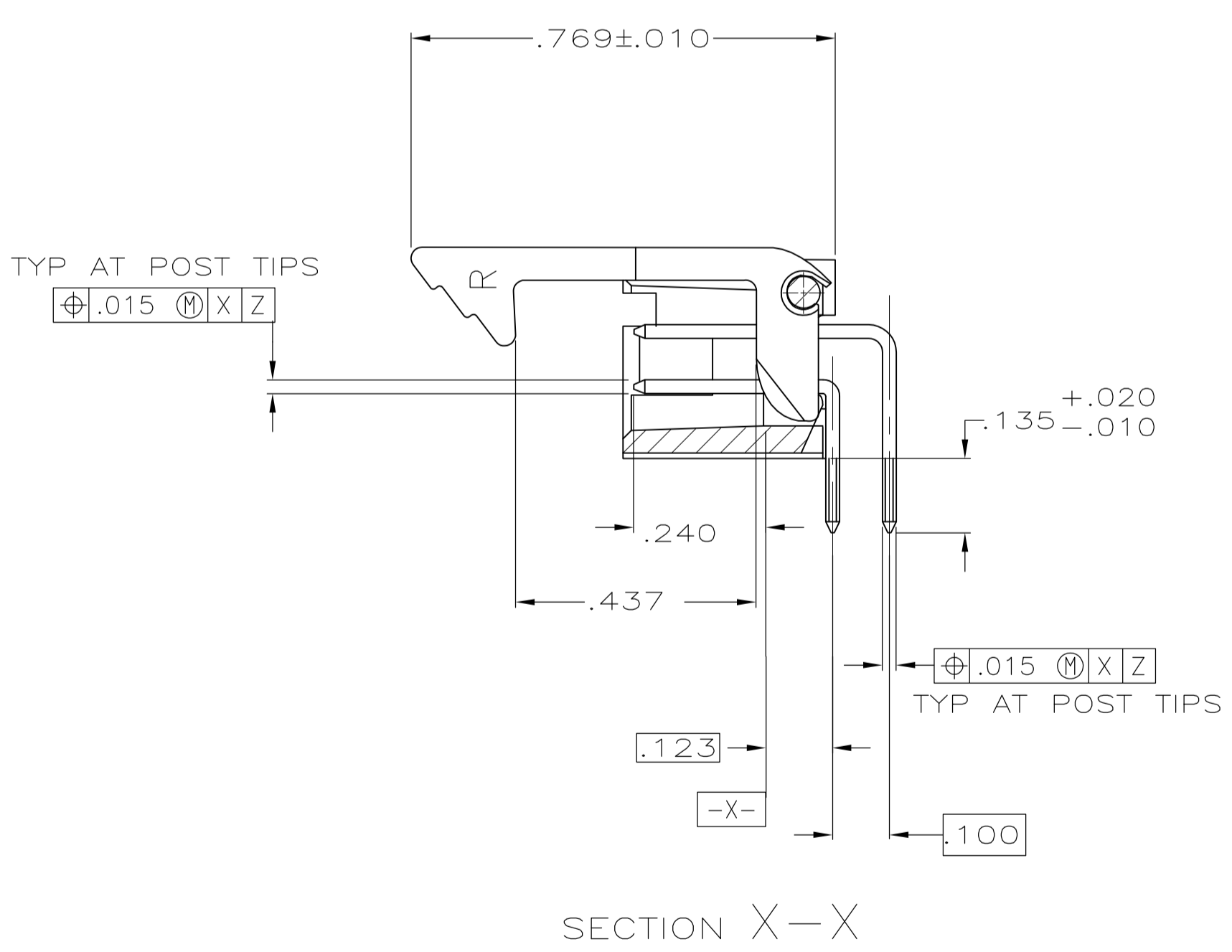
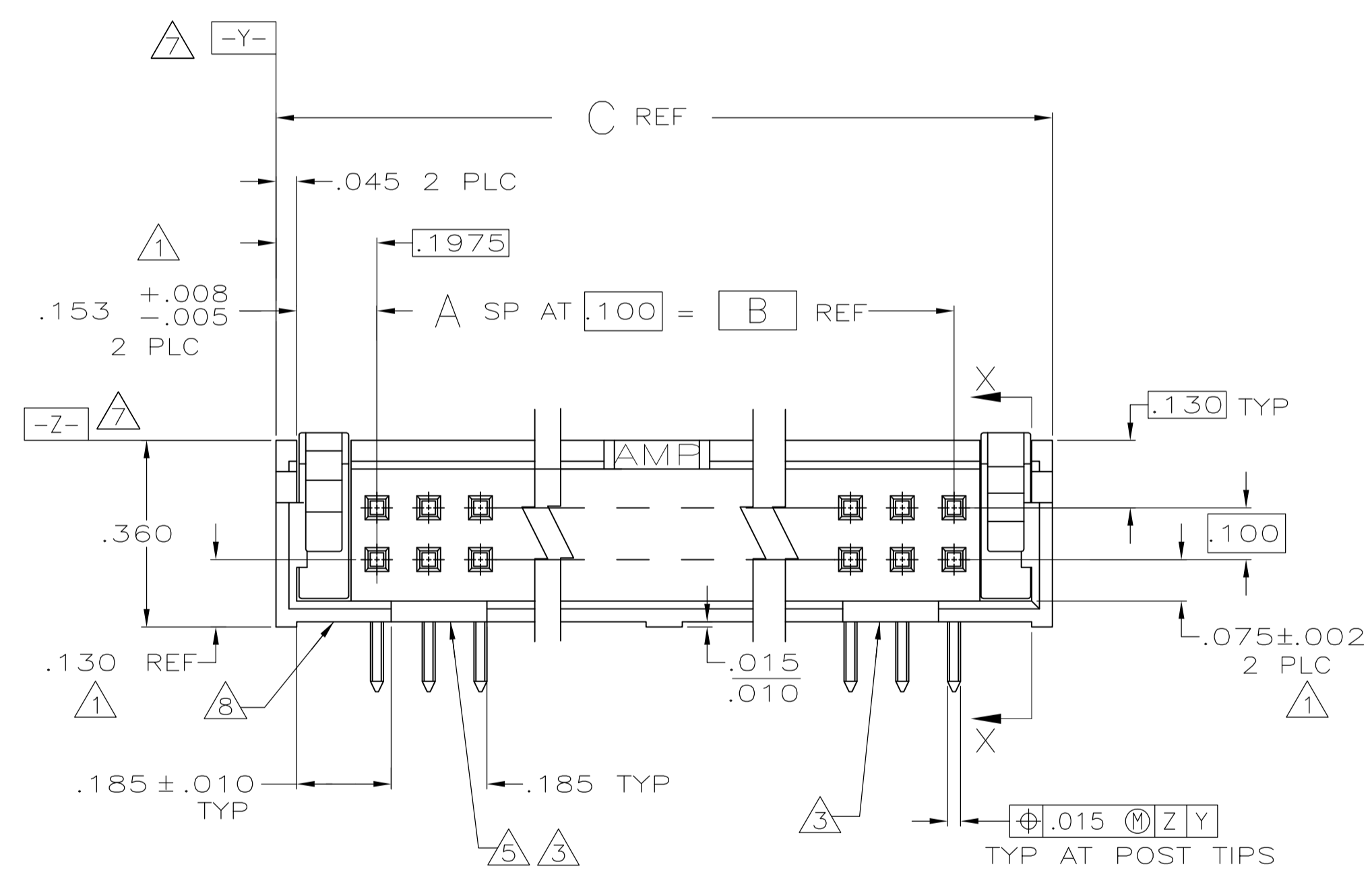


LOC		DIST		REVISIONS			
GP	00	REV	DATE	BY	CHK	APPV	
M		REVISED PER ECO-08-005380	10JUN2008	ZMR	SLB		
M1		REVISED PER ECO-09-021826	09JAN10	KK	AEG		



- 1 THE NOTED DIMENSIONS APPLY AT THE INTERSECTION OF THE POST AND HOUSING
- 2 GOLD FLASH OVER  
 PALLADIUM-NICKEL PLATE, .000030 MIN TOTAL ON THE MATING SURFACES,  
 .000100 MIN TIN-LEAD PLATE ON THE SOLDER-TAIL,  
 .000050 MIN NICKEL UNDERPLATE ON THE ENTIRE POST.  
 OR  
 .000030 MIN GOLD PLATE ON THE MATING SURFACES,  
 .000100 MIN TIN-LEAD PLATE ON THE SOLDER-TAIL,  
 .000050 MIN NICKEL UNDERPLATE ON THE ENTIRE POST.
- 3 DOUBLE BAR POLARIZATION
- 4 CENTER POLARIZATION SLOT
- 5 FOR 10 POSN ASSEMBLY, SLOT OMITTED WHERE INDICATED
- 6 NUMBER 1 POSITION INDICATOR.
- 7 DATUMS [-Y-] AND [-Z-] APPLY AT THE BASE OF THE SHROUD WALL.
- 8 OPTIONAL AMP IDENTIFICATION NUMBER (DATE CODE).  
 LOCATION APPROXIMATELY WHERE SHOWN.
- 9 MATERIAL: HOUSING: GLASS FILLED NYLON, FLAME RETARDANT, BLACK.  
 POSTS: BRASS.
- 10 OBSOLETE PARTS: OBSOLETE CIS STREAMLINING PER D.RENAUD/D.SINISI



RECOMMENDED HOLE LAYOUT FOR MANUAL INSERTION

10	SUPERSEDED BY 1-1761609-6	3.300	2.900	29	60	1-104315-0
		2.800	2.400	24	50	104315-9
OBSOLETE		2.500	2.100	21	44	104315-8
		2.300	1.900	19	40	104315-7
		2.000	1.600	16	34	104315-6
		1.600	1.200	12	26	104315-5
	SUPERSEDED BY 1761609-9	1.300	.900	9	20	104315-4
	SUPERSEDED BY 1761609-7	1.100	.700	7	16	104315-3
	SUPERSEDED BY 1761609-6	1.000	.600	6	14	104315-2
	SUPERSEDED BY 1761609-5	.800	.400	4	10	104315-1

C	B	A	NO OF POSN	ASSEMBLY PART NUMBER

THIS DRAWING IS A CONTROLLED DOCUMENT.

DIMENSIONS: INCHES

TOLERANCES UNLESS OTHERWISE SPECIFIED:

0 PLC	± .005
1 PLC	± .003
2 PLC	± .002
3 PLC	± .001
4 PLC	± .0005
ANGLES	± .005

MATERIAL: FINISH:

THIS DRAWING IS A CONTROLLED DOCUMENT. DWN: G DOUTY 1-26-88. CHK: R FEJDT 1-26-88. APVD: NAME: Tyco Electronics Tyco Electronics Corporation Harrisburg, PA 17105-3608

PRODUCT SPEC: 108-40018

APPLICATION SPEC: NAME: HEADER ASSY, LOW PROFILE, AMP-LATCH

SIZE: A1 CAGE CODE: 00779 DRAWING NO: 104315 RESTRICTED TO: CUSTOMER DRAWING

SCALE: 4:1 SHEET: 1 OF 1 REV: M1

## X-ON Electronics

Largest Supplier of Electrical and Electronic Components

*Click to view similar products for [Headers & Wire Housings](#) category:*

*Click to view products by [TE Connectivity](#) manufacturer:*

Other Similar products are found below :

[95000-104TRLF](#) [10135584-644402LF](#) [DF62W-EP2022PCA](#) [95000-106TRLF](#) [DF62W-2022SCA](#) [DF62W-EP2022PC](#) [2203348](#) [DF62W-2022SC](#) [1084018](#) [1029039](#) [1084017](#) [802-10-012-10-002000](#) [1112640](#) [1112639](#) [000-34000](#) [0009482033](#) [0009507031](#) [57102-S06-03LF](#) [57202-S52-04LF](#) [PCN6-15S-2.5E](#) [0039019024](#) [58102-G61-06LF](#) [582553-1](#) [0009508121](#) [0050291907](#) [018731A](#) [LY20-4P-DT1-P1E-BR](#) [02.125.8002.8](#) [60101931](#) [60598-1 \(Cut Strip\)](#) [M1625-3R/100](#) [61062-3](#) [61082-181009](#) [636-1427](#) [638009-1](#) [641938-9](#) [641991-4](#) [644168-1](#) [647662-1](#) [65039-019ELF](#) [65817-002LF](#) [65817-015LF](#) [65863-015LF](#) [66207-023LF](#) [67016-026LF](#) [67046-001LF](#) [67095-007LF](#) [68002-116](#) [68016-236H](#) [68648-049](#)