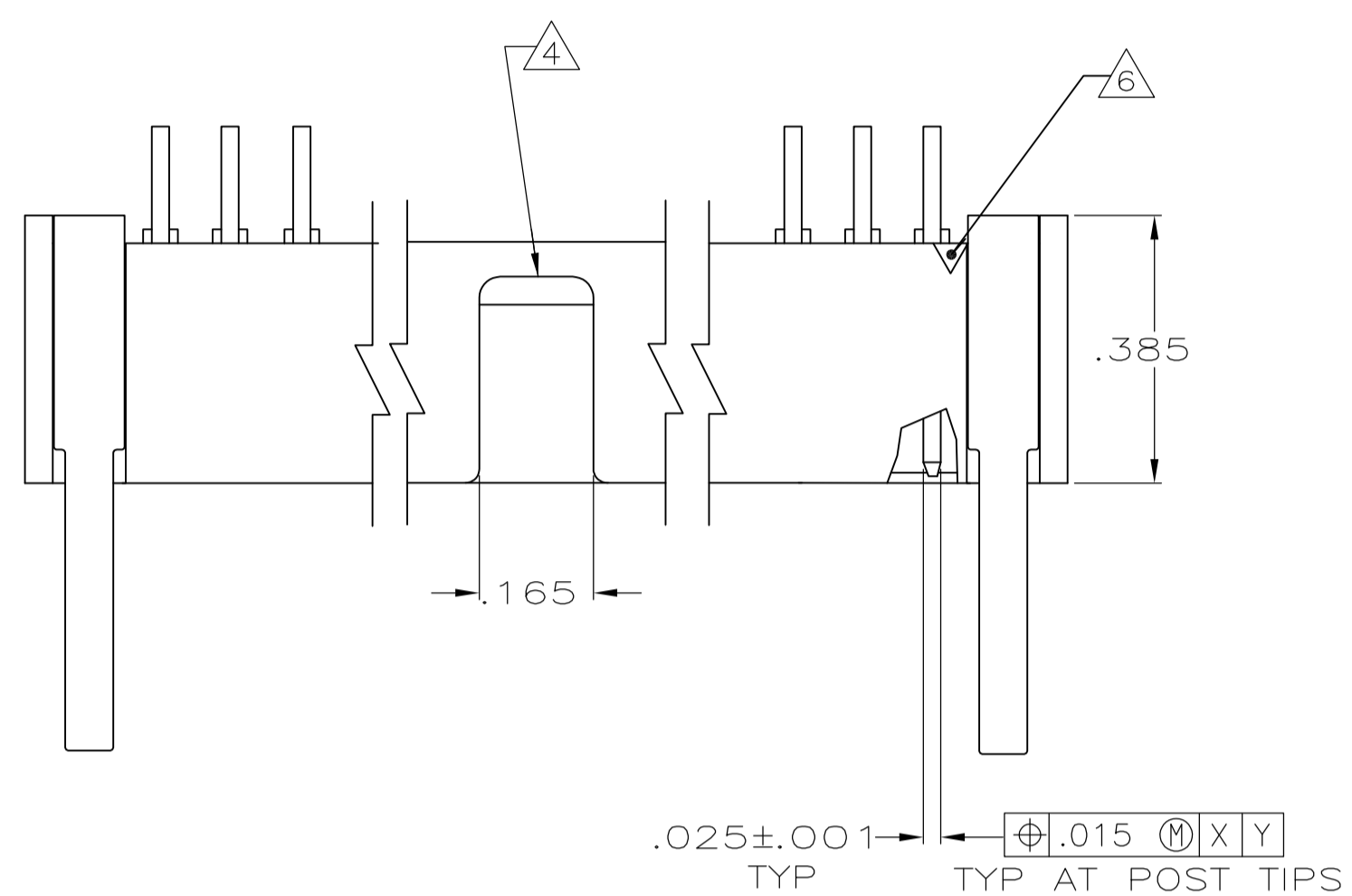
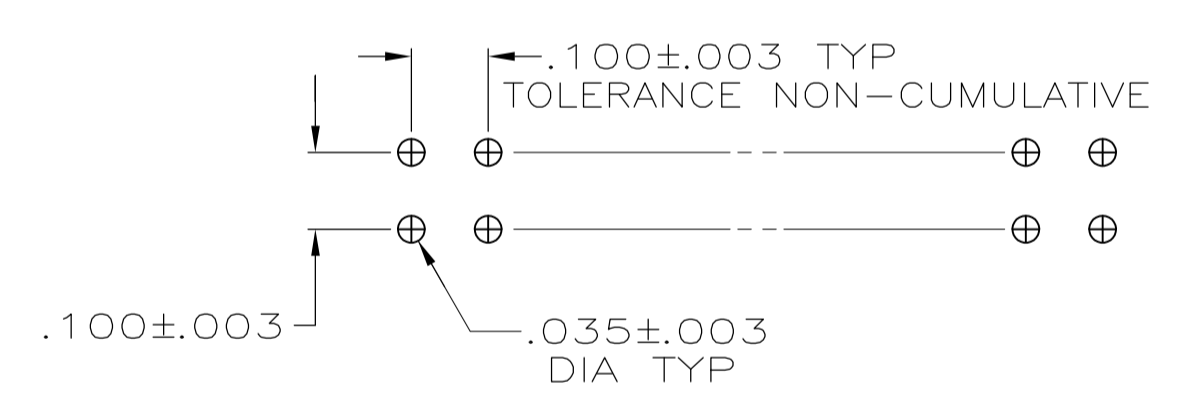
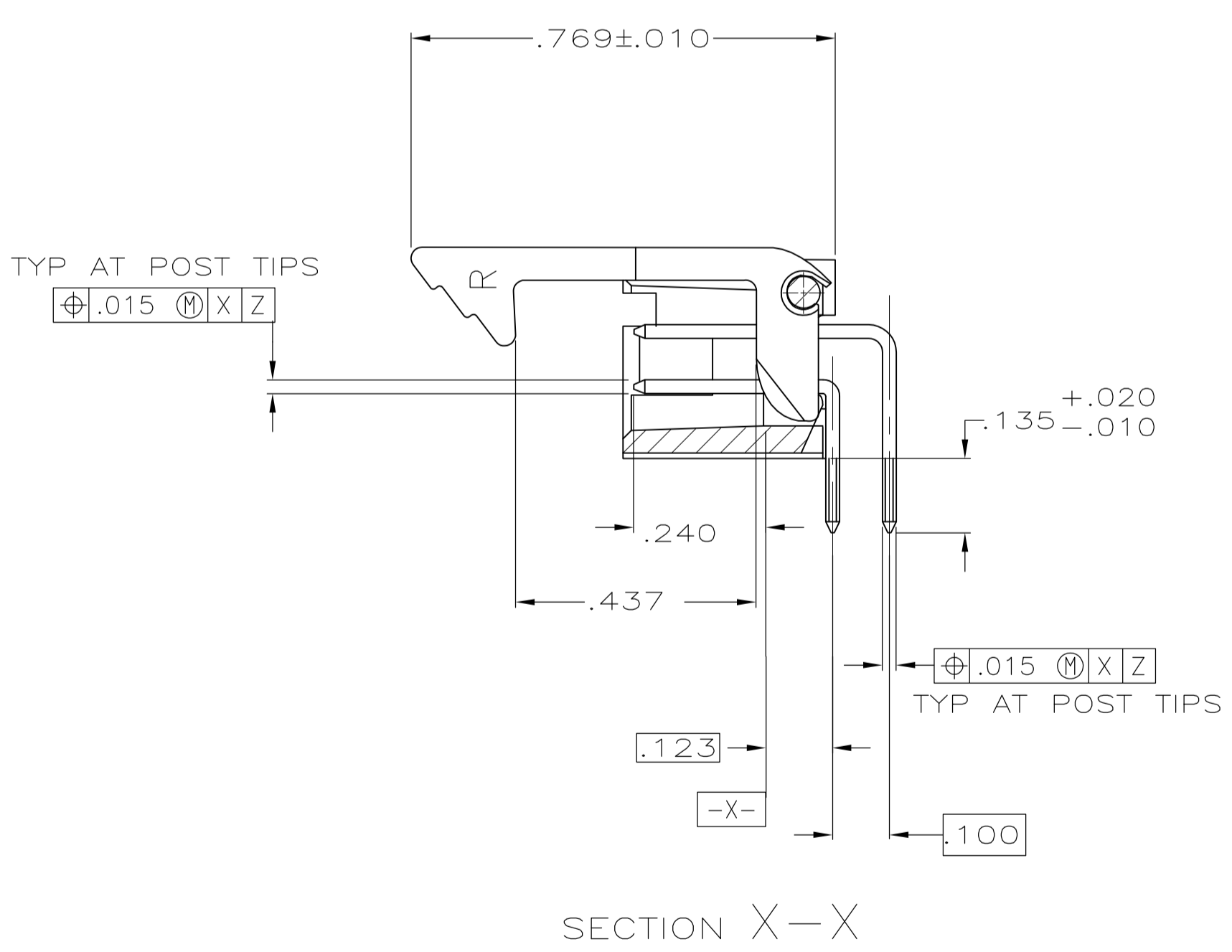
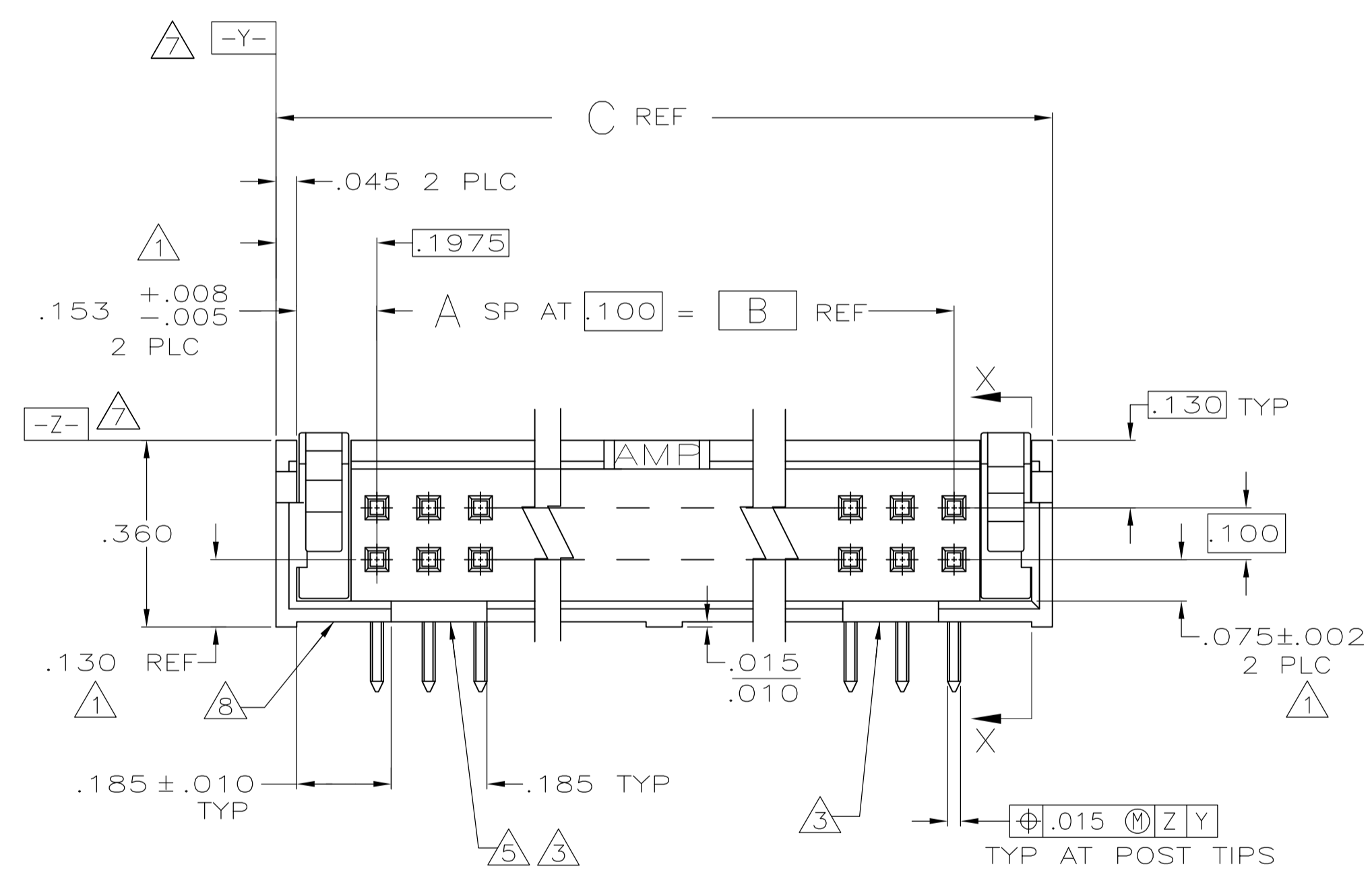


LOC		DIST		REVISIONS			
GP	00	REV	DATE	BY	CHK	APPV	
M		REVISED PER ECO-08-005380	10JUN2008	ZMR	SLB		
M1		REVISED PER ECO-09-021826	09JAN10	KK	AEG		



- 1 THE NOTED DIMENSIONS APPLY AT THE INTERSECTION OF THE POST AND HOUSING
- 2 GOLD FLASH OVER
 PALLADIUM-NICKEL PLATE, .000030 MIN TOTAL ON THE MATING SURFACES,
 .000100 MIN TIN-LEAD PLATE ON THE SOLDER-TAIL,
 .000050 MIN NICKEL UNDERPLATE ON THE ENTIRE POST.
 OR
 .000030 MIN GOLD PLATE ON THE MATING SURFACES,
 .000100 MIN TIN-LEAD PLATE ON THE SOLDER-TAIL,
 .000050 MIN NICKEL UNDERPLATE ON THE ENTIRE POST.
- 3 DOUBLE BAR POLARIZATION
- 4 CENTER POLARIZATION SLOT
- 5 FOR 10 POSN ASSEMBLY, SLOT OMITTED WHERE INDICATED
- 6 NUMBER 1 POSITION INDICATOR.
- 7 DATUMS [-Y-] AND [-Z-] APPLY AT THE BASE OF THE SHROUD WALL.
- 8 OPTIONAL AMP IDENTIFICATION NUMBER (DATE CODE).
 LOCATION APPROXIMATELY WHERE SHOWN.
- 9 MATERIAL: HOUSING: GLASS FILLED NYLON, FLAME RETARDANT, BLACK.
 POSTS: BRASS.
- 10 OBSOLETE PARTS: OBSOLETE CIS STREAMLINING PER D.RENAUD/D.SINISI



10	SUPERSEDED BY 1-1761609-6	3.300	2.900	29	60	1-104315-0
		2.800	2.400	24	50	104315-9
OBSOLETE		2.500	2.100	21	44	104315-8
		2.300	1.900	19	40	104315-7
		2.000	1.600	16	34	104315-6
		1.600	1.200	12	26	104315-5
	SUPERSEDED BY 1761609-9	1.300	.900	9	20	104315-4
	SUPERSEDED BY 1761609-7	1.100	.700	7	16	104315-3
	SUPERSEDED BY 1761609-6	1.000	.600	6	14	104315-2
	SUPERSEDED BY 1761609-5	.800	.400	4	10	104315-1

C	B	A	NO OF POSN	ASSEMBLY PART NUMBER

THIS DRAWING IS A CONTROLLED DOCUMENT.		DWG: G DOUTY 1-26-88	Tyco Electronics Corporation Harrisburg, PA 17105-3608	
DIMENSIONS: INCHES		CHK: R FEJDT 1-26-88	NAME: Tyco Electronics	
TOLERANCES UNLESS OTHERWISE SPECIFIED:		APVD: -	PRODUCT SPEC: 108-40018	
0 PLC	± .005	APPLICATION SPEC: -		
1 PLC	± .005	SIZE: A1		
2 PLC	± .005	CAGE CODE: 00779		
3 PLC	± .005	DRAWING NO: 104315		
4 PLC	± .005	RESTRICTED TO: -		
ANGLES	± .005	WEIGHT: -		
MATERIAL: A	FINISH: A	CUSTOMER DRAWING		
		SCALE: 4:1		SHEET 1 OF 1
				REV: M1

X-ON Electronics

Largest Supplier of Electrical and Electronic Components

Click to view similar products for [Headers & Wire Housings](#) category:

Click to view products by [TE Connectivity](#) manufacturer:

Other Similar products are found below :

[892-18-020-10-001101](#) [58102-G61-06LF](#) [582553-1](#) [0009485154](#) [009176003701906](#) [0050291907](#) [LY20-4P-DT1-P1E-BR](#) [02.125.8002.8](#)
[609-3404](#) [61062-3](#) [61082-181009](#) [622-3653LF](#) [63453-116](#) [636-1030](#) [636-1427](#) [636-3427](#) [636-4007](#) [641938-9](#) [641991-4](#) [644827-2](#) [65817-010LF](#) [65817-015LF](#) [65863-015LF](#) [66207-023LF](#) [67095-007LF](#) [67601157](#) [68645-018](#) [68648-049](#) [70.362.1628.0](#) [70-4210](#) [70-4226B](#) [70-4853B](#) [707-5020](#) [707-5028](#) [71.350.2428.0](#) [71918-208LF](#) [71961-016LF](#) [733-134](#) [733-162](#) [754199-000](#) [760-3052](#) [787-8014-00](#) [79531-3000](#)
[FCN-360C032-B](#) [FCN-367T-T012/H](#) [FCN-723D010/2](#) [80.063.4001.1](#) [800-90-001-10-001000](#) [800-90-010-10-002000](#) [801-43-002-10-013000](#)