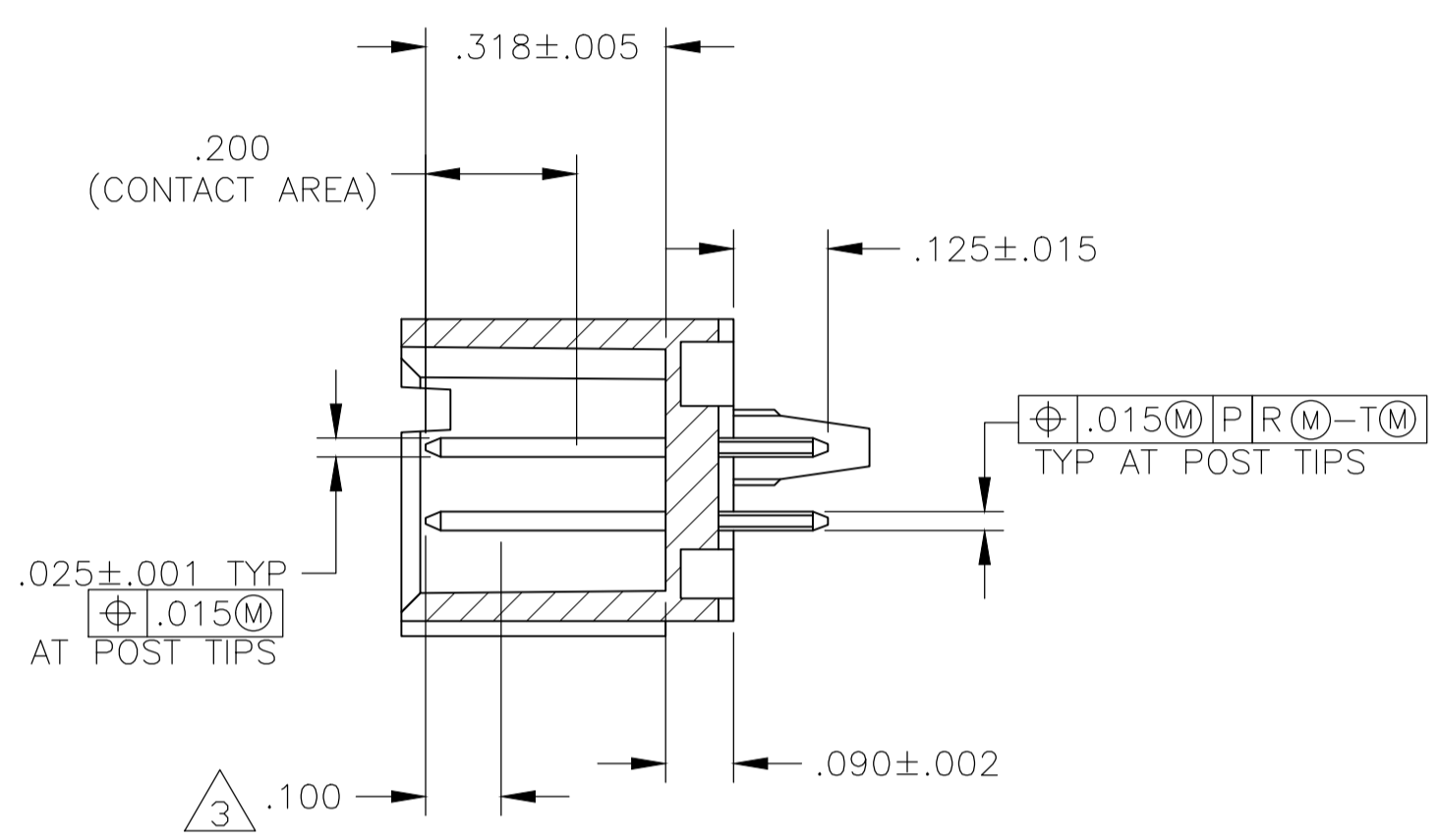
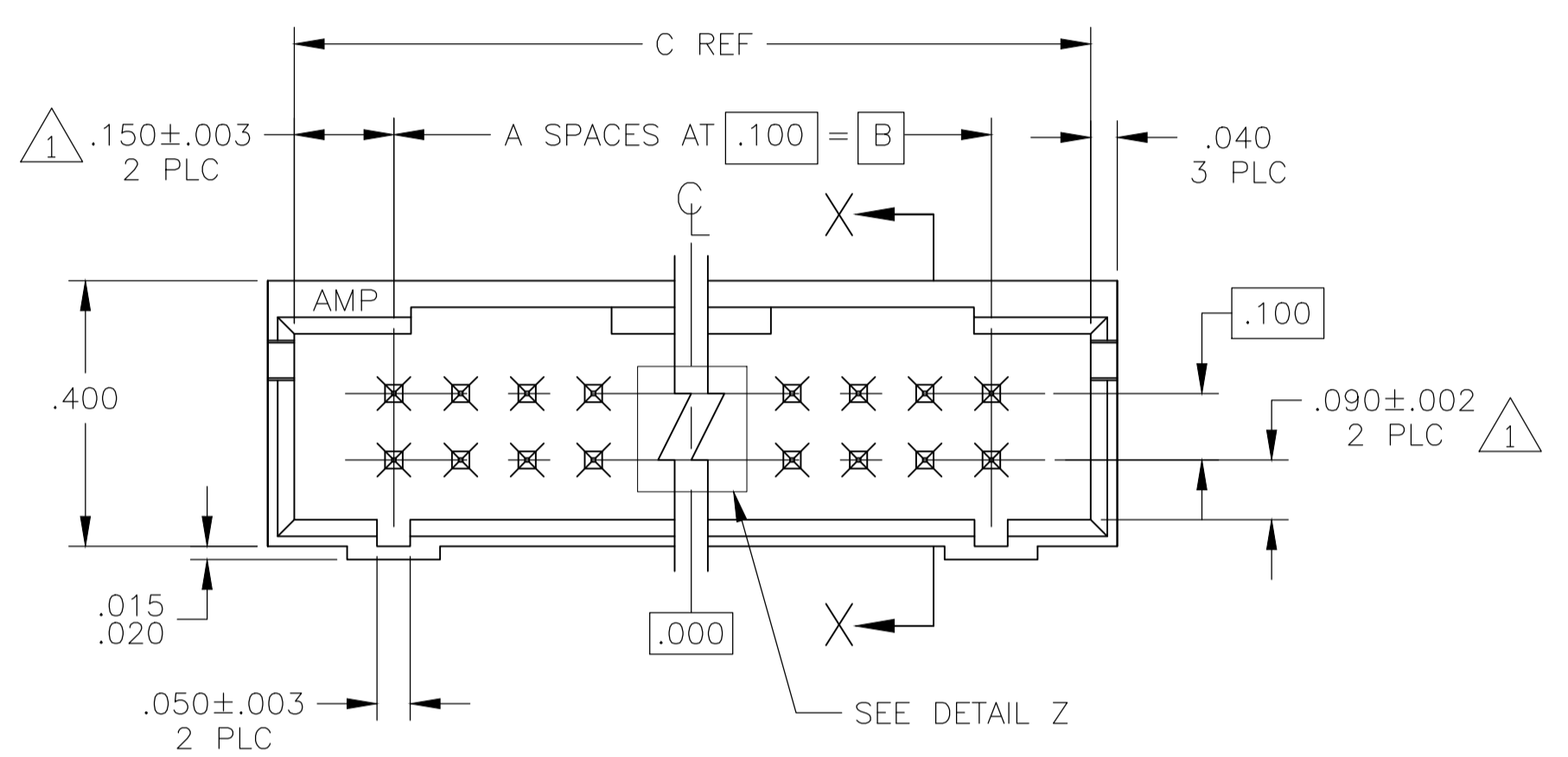
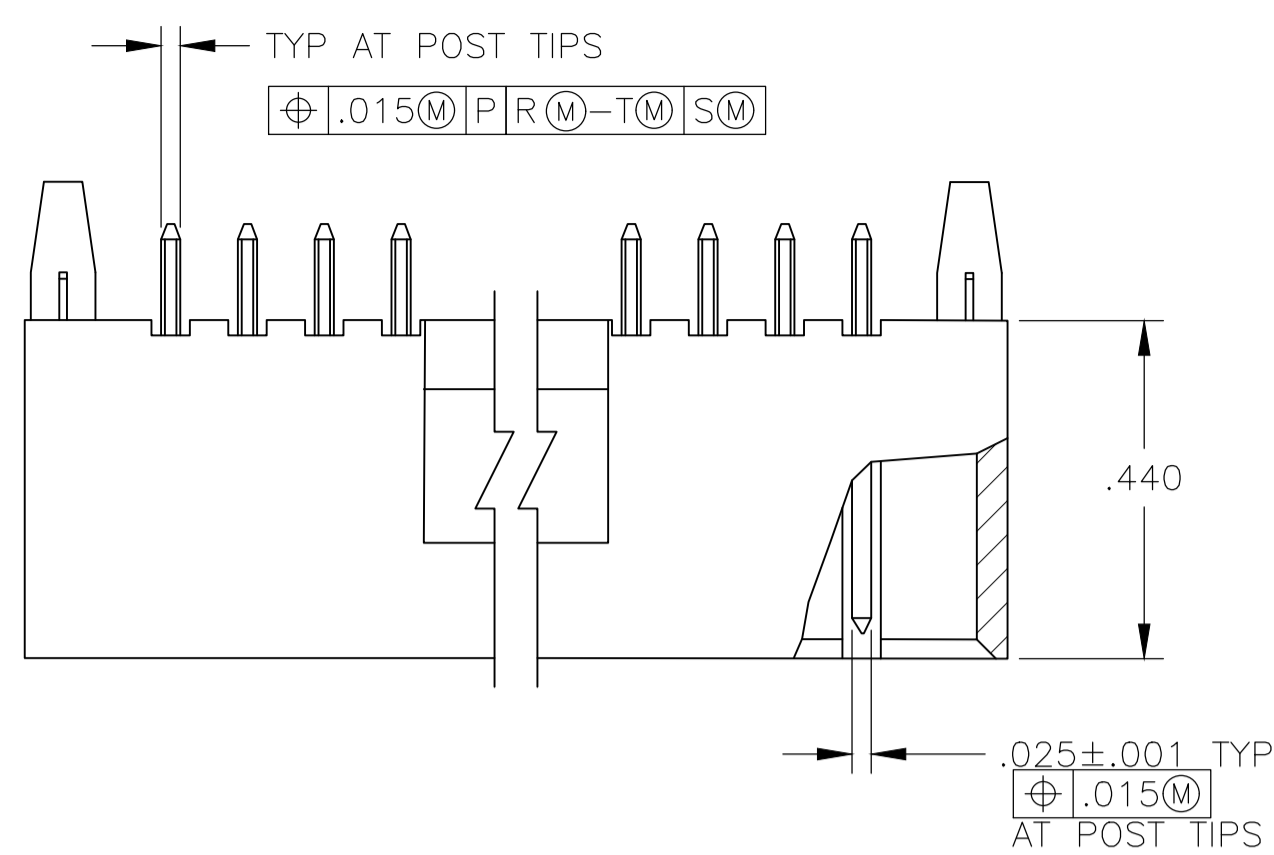
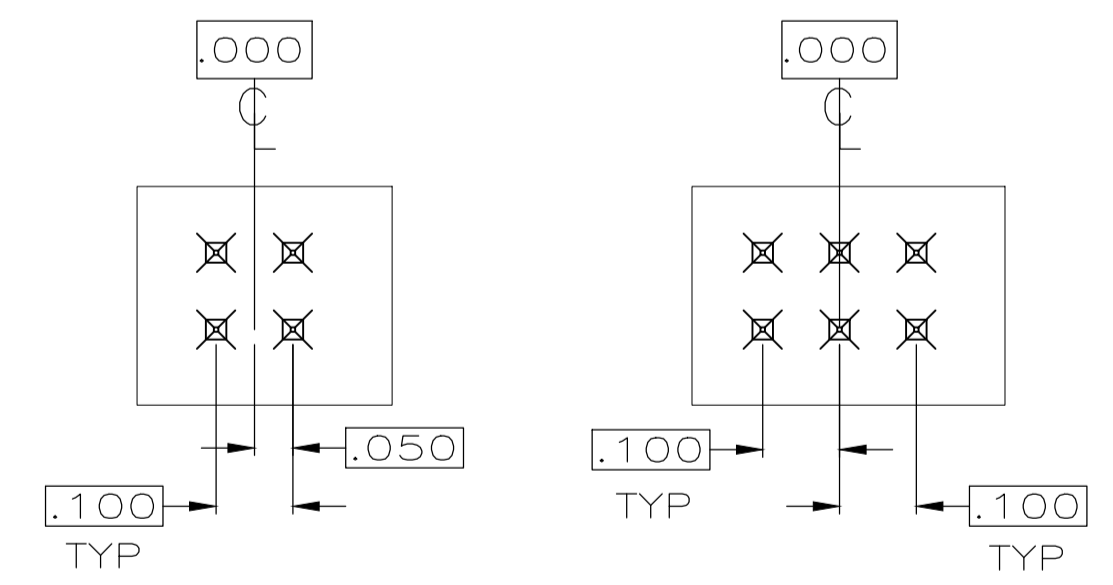
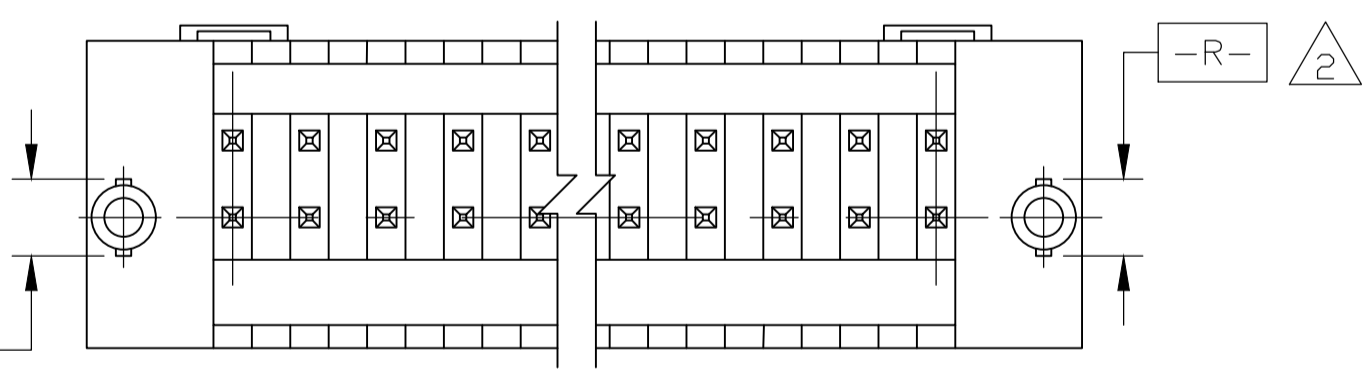
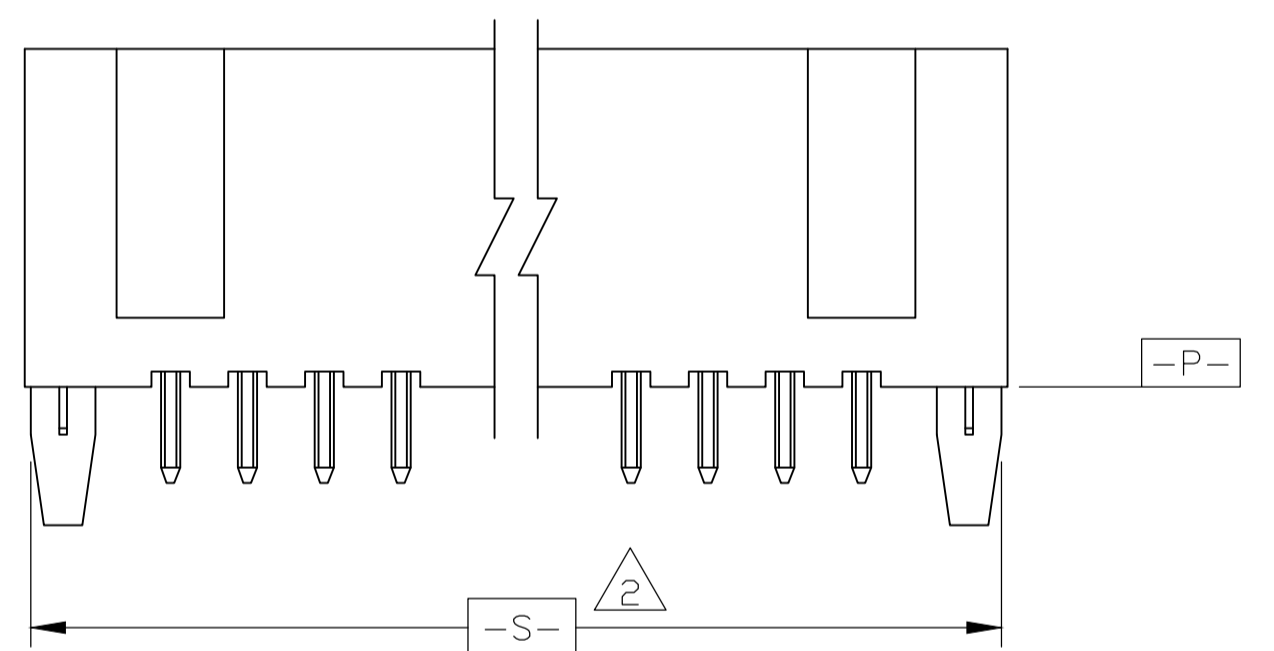


REVISIONS				
P	LTR	DESCRIPTION	DATE	APPV
K3		PART STATUS UPDATED IN PART LIST TABLE	16FEB2018	SD PS

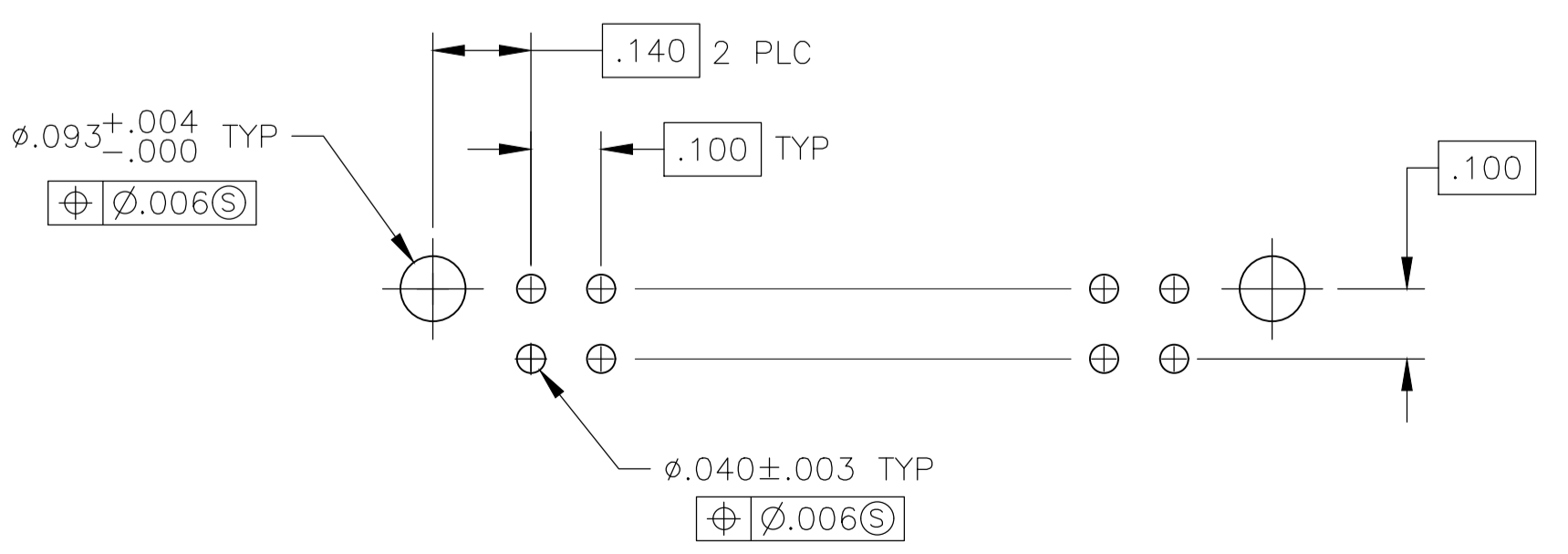


SECTION X-X



BASIC DIMENSION FOR ODD NO. OF SPACES (SEE TABLE) BASIC DIMENSION FOR EVEN NO. OF SPACES (SEE TABLE)

DETAIL Z



RECOMMENDED HOLE LAYOUT

- 1 THE NOTED DIMENSIONS APPLY AT THE INTERSECTION OF THE POST AND HOUSING
- 2 THE NOTED DIMENSIONS APPLY AT THE INTERSECTION WITH DATUM -P-
- 3 POINT OF MEASUREMENT FOR PLATING THICKNESS
- 4 PRELIMINARY PART - NOT RELEASED FOR PRODUCTION.
- 5 MATERIAL: HOUSING- FLAME RETARDANT THERMOPLASTIC, COLOR- BLACK
POST- PHOS BRONZE
- 6 FINISH: POST- .000015 GOLD IN CONTACT AREA, .000100-.000200 MATTE TIN-LEAD ON SOLDERTAIL, ALL OVER .000050 NICKEL
- 7 FINISH: POST- .000015 GOLD IN CONTACT AREA, .000100-.000200 MATTE TIN ON SOLDERTAIL, ALL OVER .000050 NICKEL
- 8 OBSOLETE PARTS: OBSOLETE CIS STREAMLINING PER D.RENAUD/D.SINISI

8	OBSOLETE	1.900	1.600	16	34	6-104317-8
8	OBSOLETE	2.000	1.700	17	36	6-104317-7
		1.000	.700	7	16	6-104317-6
		2.300	2.000	20	42	6-104317-5
8	OBSOLETE	2.700	2.400	24	50	6-104317-4
8	OBSOLETE	2.600	2.300	23	48	6-104317-3
		2.200	1.900	19	40	6-104317-2
		1.800	1.500	15	32	6-104317-1
		1.700	1.400	14	30	6-104317-0
		1.500	1.200	12	26	5-104317-9
8	OBSOLETE	1.400	1.100	11	24	5-104317-8
		1.300	1.000	10	22	5-104317-7
		1.200	.900	9	20	5-104317-6
		1.100	.800	8	18	5-104317-5
8	OBSOLETE	.900	.600	6	14	5-104317-4
		.800	.500	5	12	5-104317-3
		.700	.400	4	10	5-104317-2
		.500	.200	2	6	5-104317-1
8	OBSOLETE	.600	.300	3	8	4-104317-9
8	OBSOLETE	1.900	1.600	16	34	1-104317-8
8	OBSOLETE	2.000	1.700	17	36	1-104317-7
		1.000	.700	7	16	1-104317-6
		2.300	2.000	20	42	1-104317-5
8	OBSOLETE	2.700	2.400	24	50	1-104317-4
8	OBSOLETE	2.600	2.300	23	48	1-104317-3
		2.200	1.900	19	40	1-104317-2
		1.800	1.500	15	32	1-104317-1
		1.700	1.400	14	30	1-104317-0
		1.500	1.200	12	26	104317-9
		1.400	1.100	11	24	104317-8
		1.300	1.000	10	22	104317-7
		1.200	.900	9	20	104317-6
		1.100	.800	8	18	104317-5
		.900	.600	6	14	104317-4
		.800	.500	5	12	104317-3
		.700	.400	4	10	104317-2
		.500	.200	2	6	104317-1

SUPERSEDED BY 6-104317-0
SUPERSEDED BY 5-104317-7
SUPERSEDED BY 5-104317-5
SUPERSEDED BY 5-104317-3
SUPERSEDED BY 5-104317-1

PLATING	C	B	A	NO OF POSN	ASSEMBLY PART NUMBER

THIS DRAWING IS A CONTROLLED DOCUMENT.		DIN H MOLL 10-19-87	STE TE Connectivity	
DIMENSIONS: INCHES		CHK R FEJDT 10-19-87		
TOLERANCES UNLESS OTHERWISE SPECIFIED:		APVD	NAME	
0 PLC ± -		PRODUCT SPEC		HDR ASSY, MOD II, SHROUDED 4 SIDES, DBL ROW, VERT .100X.100 CL, W/ .025 SQ POSTS
1 PLC ± -		APPLICATION SPEC		
2 PLC ± -		SIZE		A1 00779 104317
3 PLC ± .005		WEIGHT		
4 PLC ± -		CUSTOMER DRAWING		SCALE 4:1 SHEET 1 OF 1 REV K3
ANGLES ± -		RESTRICTED TO		
SEE TABLE		DRAWING NO		

X-ON Electronics

Largest Supplier of Electrical and Electronic Components

Click to view similar products for [Headers & Wire Housings](#) category:

Click to view products by [TE Connectivity](#) manufacturer:

Other Similar products are found below :

[95000-104TRLF](#) [10135584-644402LF](#) [DF62W-EP2022PCA](#) [95000-106TRLF](#) [DF62W-2022SCA](#) [DF62W-EP2022PC](#) [2203348](#) [DF62W-2022SC](#) [1084018](#) [1029039](#) [1084017](#) [802-10-012-10-002000](#) [1112640](#) [1112639](#) [000-34000](#) [0009482033](#) [0009507031](#) [57102-S06-03LF](#) [57202-S52-04LF](#) [PCN6-15S-2.5E](#) [0039019024](#) [58102-G61-06LF](#) [582553-1](#) [0009508121](#) [0050291907](#) [018731A](#) [LY20-4P-DT1-P1E-BR](#) [02.125.8002.8](#) [60101931](#) [60598-1 \(Cut Strip\)](#) [M1625-3R/100](#) [61062-3](#) [61082-181009](#) [636-1427](#) [638009-1](#) [641938-9](#) [641991-4](#) [644168-1](#) [647662-1](#) [65039-019ELF](#) [65817-002LF](#) [65817-015LF](#) [65863-015LF](#) [66207-023LF](#) [67016-026LF](#) [67046-001LF](#) [67095-007LF](#) [68002-116](#) [68016-236H](#) [68648-049](#)