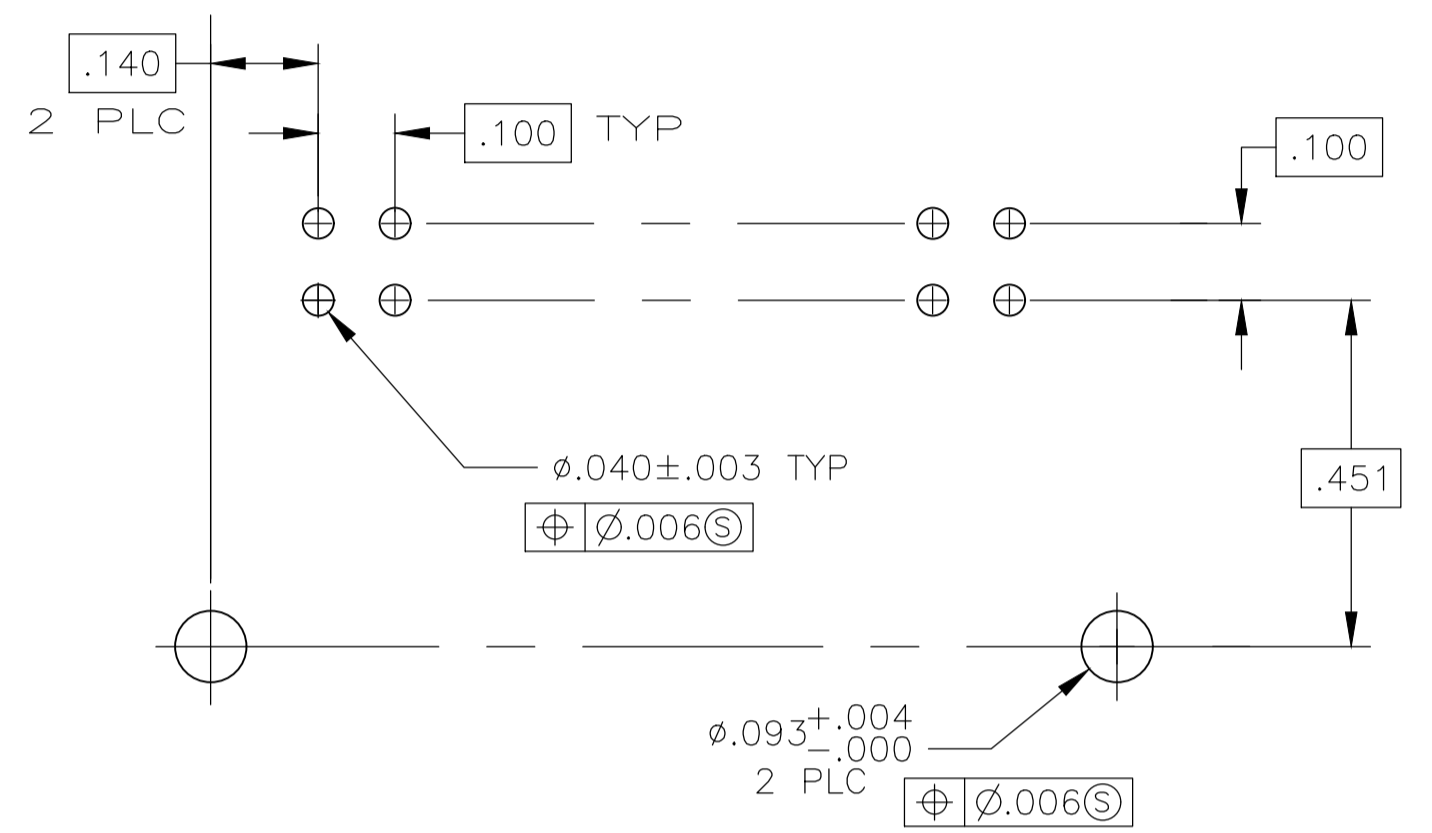
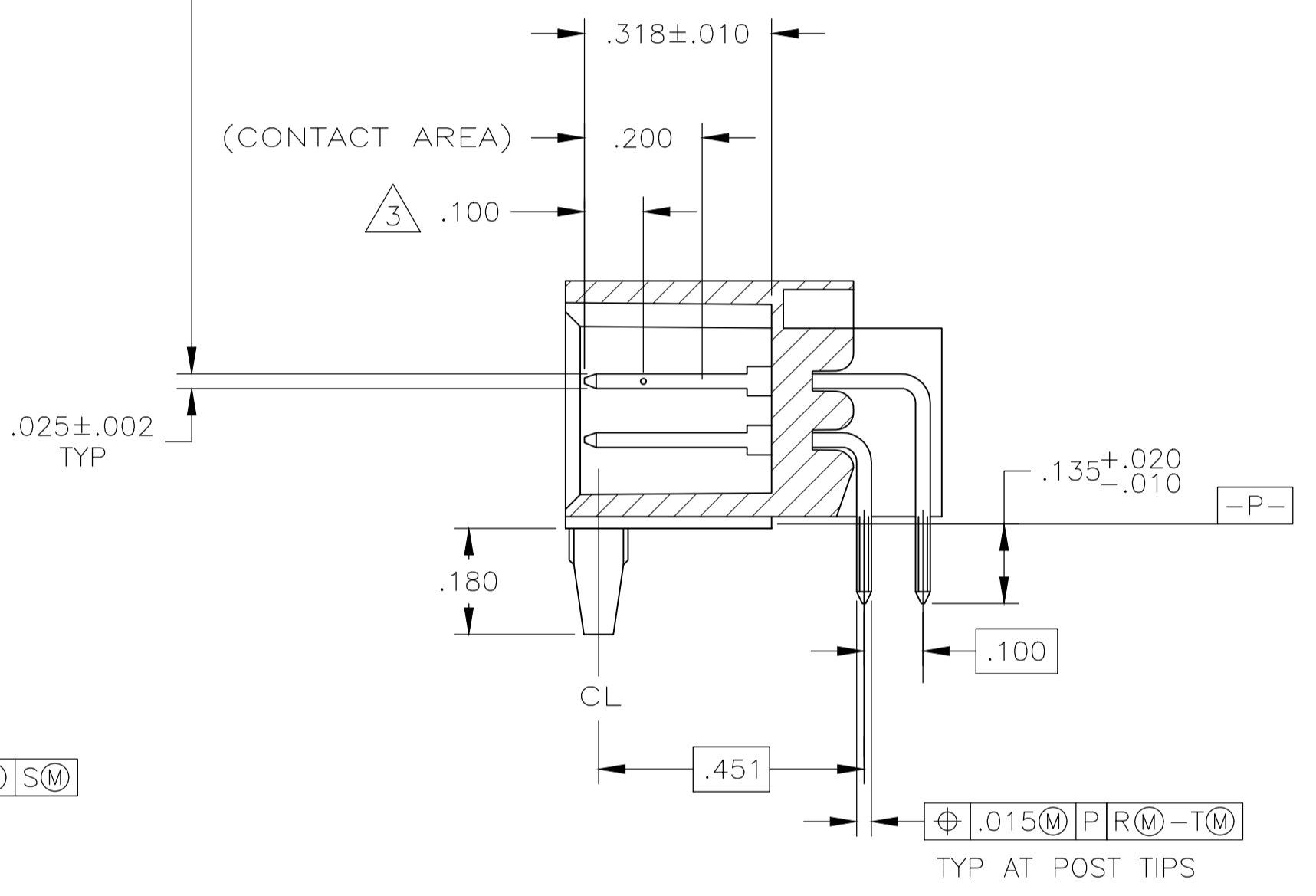
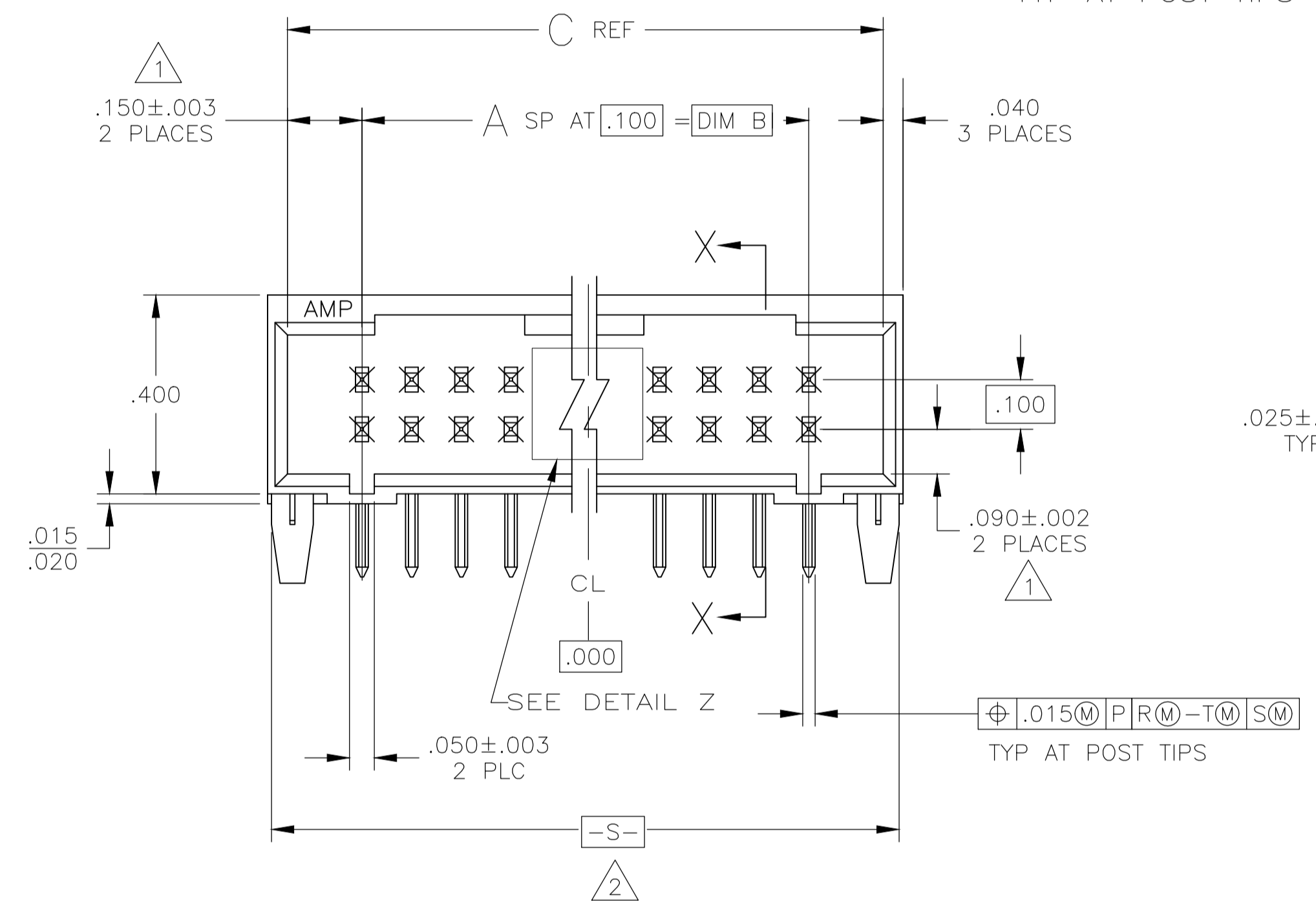
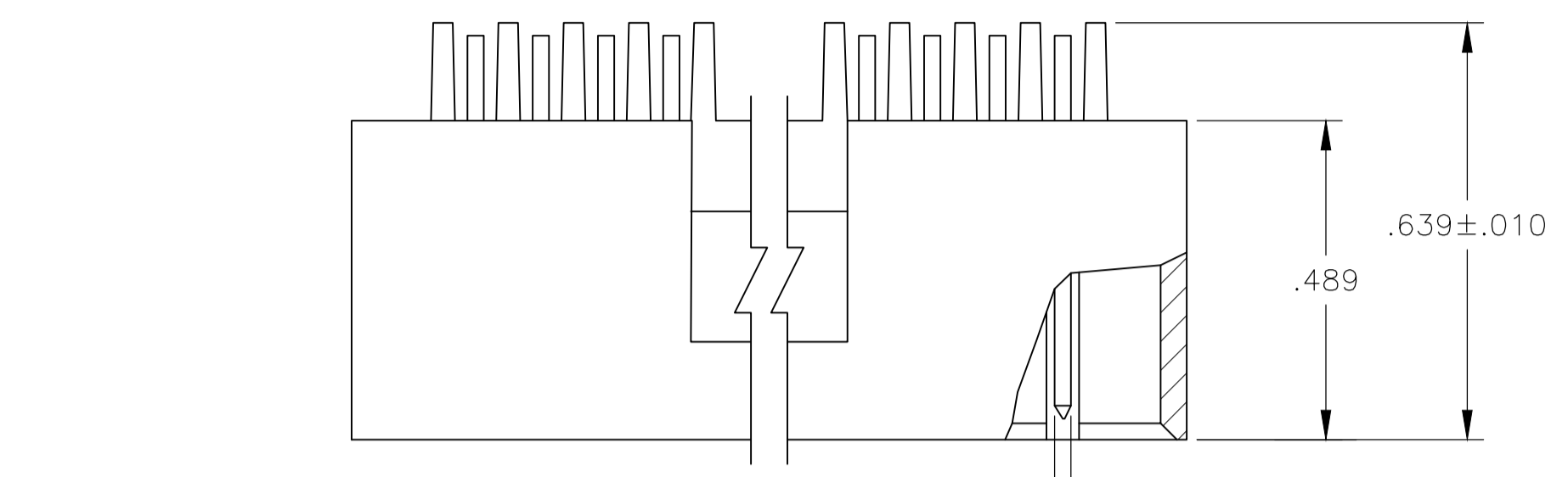
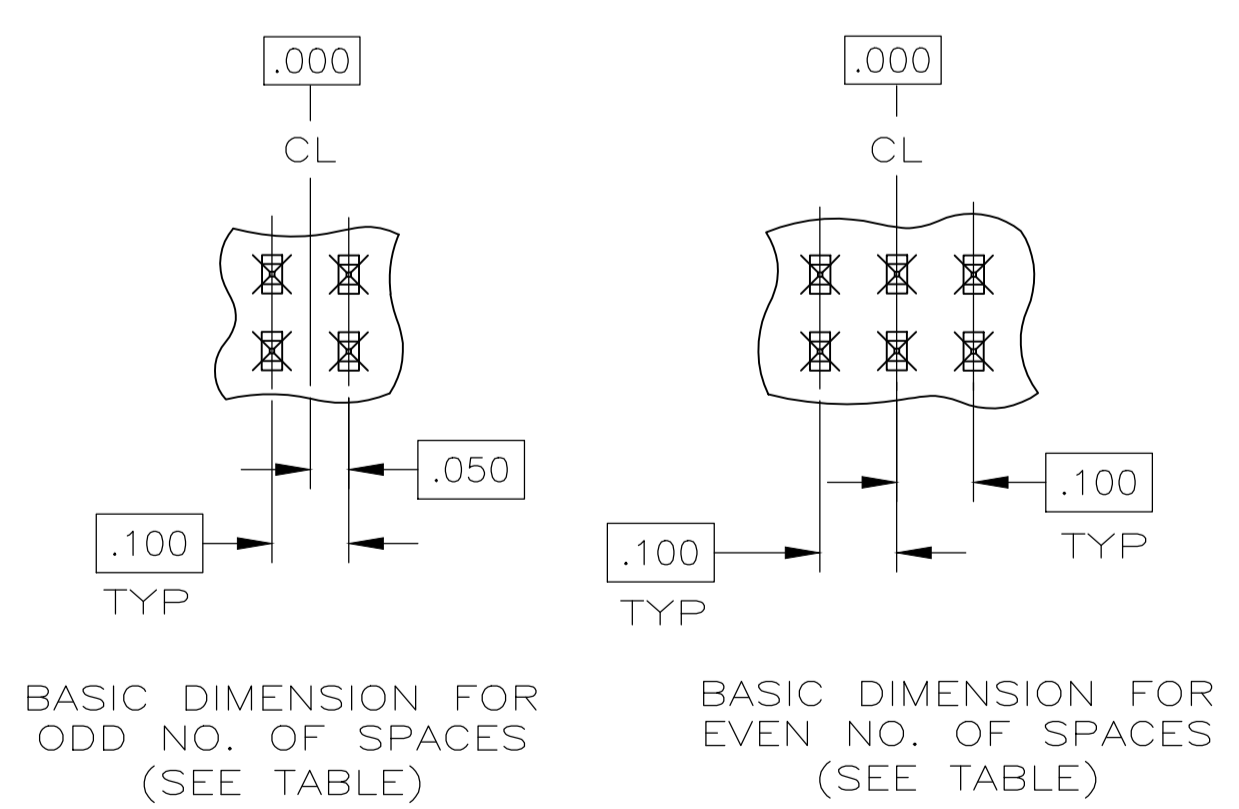
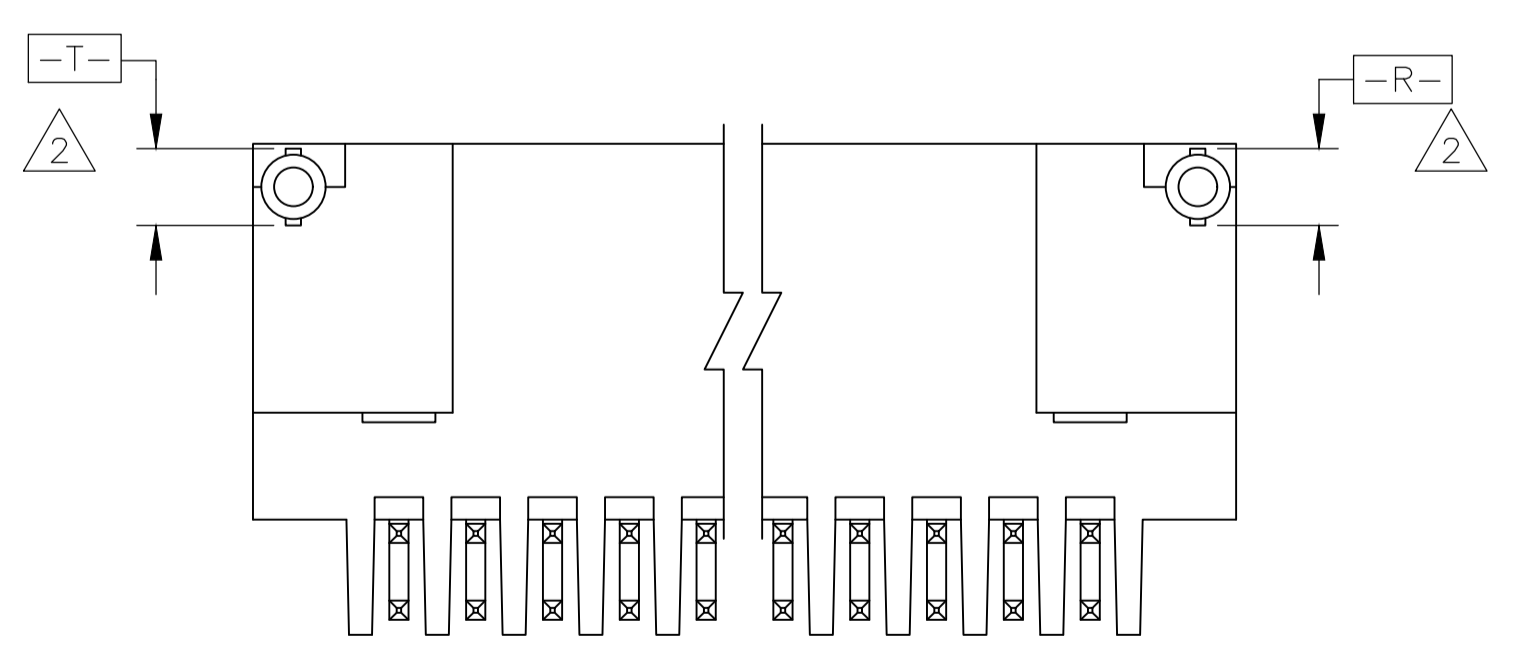


REVISIONS					
P	LTR	DESCRIPTION	DATE	DNW	APVD
H3		PART STATUS UPDATED IN PART LIST TABLE	16FEB2018	SD	PS

- 1 THE NOTED DIMENSIONS APPLY AT THE INTERSECTION OF THE POST AND HOUSING
- 2 THE NOTED DIMENSIONS APPLY AT THE INTERSECTION WITH DATUM $-P-$
- 3 POINT OF MEASUREMENT FOR PLATING THICKNESS
- 4 POSTS: .000015 GOLD IN CONTACT AREA, .000100-.000200 MATTE TIN-LEAD ON SOLDER TAIL, ALL OVER .000050 NICKEL
- 5 POSTS: .000015 GOLD IN CONTACT AREA, .000100-.000200 MATTE TIN ON SOLDER TAIL, ALL OVER .000050 NICKEL
- 6 OBSOLETE PARTS: OBSOLETE CIS STREAMLINING PER D.RENAUD/D.SINISI



RECOMMENDED HOLE LAYOUT



DETAIL Z

PLATING	NO OF SPACES	C	B	A	NO OF POSN	ASSEMBLY PART NUMBER
6 OBSOLETE	23	2.600	2.300	23	48	5-104319-9
5	.800	.500	5	12	5-104319-8	
4	.700	.400	4	10	5-104319-7	
6 OBSOLETE	16	1.900	1.600	16	34	5-104319-6
6	.900	.600	6	14	5-104319-5	
19	2.200	1.900	19	40	5-104319-4	
14	1.700	1.400	14	30	5-104319-3	
9	1.200	.900	9	20	5-104319-2	
7	1.000	.700	7	16	5-104319-1	
6 OBSOLETE	23	2.600	2.300	23	48	104319-9
5	.800	.500	5	12	104319-8	
4	.700	.400	4	10	104319-7	
16	1.900	1.600	16	34	104319-6	
6	.900	.600	6	14	104319-5	
19	2.200	1.900	19	40	104319-4	
14	1.700	1.400	14	30	104319-3	
9	1.200	.900	9	20	104319-2	
7	1.000	.700	7	16	104319-1	

SUPERCEDED BY 5-104319-7

THIS DRAWING IS A CONTROLLED DOCUMENT. DIN H MOLL 19-10-87. CHK R FEJDT 19-10-87. APVD -

TE Connectivity

HDR ASSY, MOD II, SHROUDED, 4 SIDES, DR, .100X.100 q, RT ANGLE, W/ .025 SQ POSTS

SIZE: A1. CAGE CODE: 00779. DRAWING NO: 104319. RESTRICTED TO: -

MATERIAL: HOUSING, FLAME RETARDANT THERMOPLASTIC, COLOR-BLACK, POSTS, PHOS BRONZE. FINISH: SEE TABLE. WEIGHT: -. CUSTOMER DRAWING. SCALE: 4:1. SHEET: 1 OF 1. REV: H3.

X-ON Electronics

Largest Supplier of Electrical and Electronic Components

Click to view similar products for [Headers & Wire Housings](#) category:

Click to view products by [TE Connectivity](#) manufacturer:

Other Similar products are found below :

[892-18-020-10-001101](#) [58102-G61-06LF](#) [582553-1](#) [0009485154](#) [009176003701906](#) [0050291907](#) [LY20-4P-DT1-P1E-BR](#) [02.125.8002.8](#)
[609-3404](#) [61062-3](#) [61082-181009](#) [622-3653LF](#) [63453-116](#) [636-1030](#) [636-1427](#) [636-3427](#) [636-4007](#) [641938-9](#) [641991-4](#) [644827-2](#) [65817-](#)
[010LF](#) [65817-015LF](#) [65863-015LF](#) [66207-023LF](#) [67095-007LF](#) [67601157](#) [68645-018](#) [68648-049](#) [70.362.1628.0](#) [70-4210](#) [70-4226B](#) [70-](#)
[4853B](#) [707-5020](#) [707-5028](#) [71.350.2428.0](#) [71918-208LF](#) [71961-016LF](#) [733-134](#) [733-162](#) [754199-000](#) [760-3052](#) [79531-3000](#) [FCN-](#)
[360C032-B](#) [FCN-367T-T012/H](#) [FCN-723D010/2](#) [80.063.4001.1](#) [800-90-010-10-002000](#) [801-43-002-10-013000](#) [801-43-006-10-002000](#)
[801-93-011-10-001000](#)