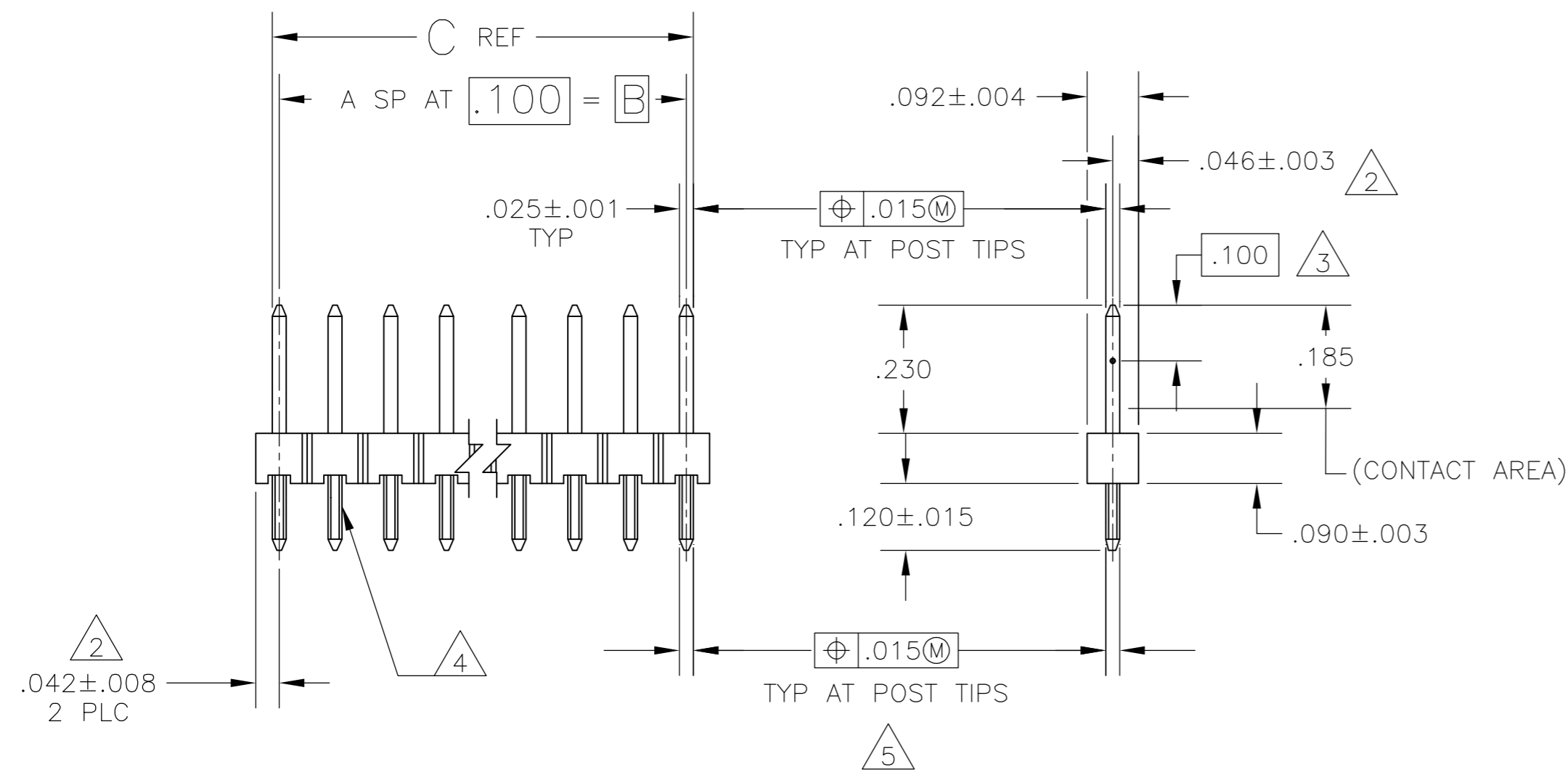
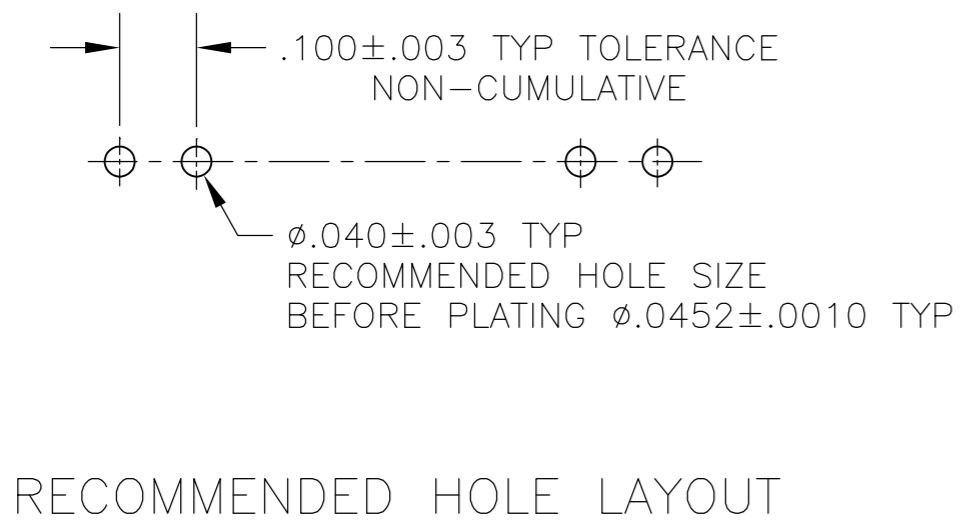


THIS DRAWING IS UNPUBLISHED. RELEASED FOR PUBLICATION
 © COPYRIGHT - By - ALL RIGHTS RESERVED.

LOC		DIST		REVISIONS			
P	LTR	DESCRIPTION		DATE	DWN	APVD	
AD	00	K		REVISED PER ECO-14-000066	01JUL2014	NK	MM



- 1 TRUE POSITION TOLERANCE OF THE POST TIPS APPLIES WHEN THE HEADERS ARE HELD FLAT AGAINST THE PRINTED CIRCUIT BOARD.
- 2 THE NOTED DIMENSIONS APPLY AT THE INTERSECTION OF THE POST AND THE HOUSING.
- 3 POINT OF MEASUREMENT FOR PLATING THICKNESS.
- 4 RETENTION FEATURES ON SOLDER TAILS, LOCATED AT MANUFACTURERS OPTION.
- 5 $\phi .020\text{M}$ FOR KINKED TAILS.
- 6 OBSOLETE PARTS: OBSOLETE CIS STREAMLINING PER D.RENAUD/D.SINISI



RECOMMENDED HOLE LAYOUT

	C	B	A	NO OF POSN	ASSEMBLY PART NUMBER
OBSOLETE 6	3.984	3.900	39	40	2-104345-7
	3.484	3.400	34	35	2-104345-6
	2.984	2.900	29	30	2-104345-5
	2.584	2.500	25	26	2-104345-4
	2.484	2.400	24	25	2-104345-3
	2.384	2.300	23	24	2-104345-2
	2.284	2.200	22	23	2-104345-1
	2.184	2.100	21	22	2-104345-0
	2.084	2.000	20	21	1-104345-9
	1.984	1.900	19	20	1-104345-8
OBSOLETE 6	1.884	1.800	18	19	1-104345-7
	1.784	1.700	17	18	1-104345-6
	1.684	1.600	16	17	1-104345-5
	1.584	1.500	15	16	1-104345-4
	1.484	1.400	14	15	1-104345-3
	1.384	1.300	13	14	1-104345-2
	1.284	1.200	12	13	1-104345-1
	1.184	1.100	11	12	1-104345-0
	1.084	1.000	10	11	104345-9
	.984	.900	9	10	104345-8
OBSOLETE 6	.884	.800	8	9	104345-7
	.784	.700	7	8	104345-6
	.684	.600	6	7	104345-5
	.584	.500	5	6	104345-4
	.484	.400	4	5	104345-3
	.384	.300	3	4	104345-2
	.284	.200	2	3	104345-1
	C	B	A	NO OF POSN	ASSEMBLY PART NUMBER

THIS DRAWING IS A CONTROLLED DOCUMENT.		DWN H MOLL	08FEB88	STE TE Connectivity	
DIMENSIONS: INCHES		CHK R. FEIDT	08FEB88		
TOLERANCES UNLESS OTHERWISE SPECIFIED:		APVD R. FEIDT	08FEB88	NAME HEADER ASSY, MOD II, BREAKAWAY, SINGLE ROW, .100 CL, VERT, .025 SQ POSTS, WITH RETENTION FEATURE	
0 PLC ± - 1 PLC ± - 2 PLC ± - 3 PLC ± .005 4 PLC ± - ANGLES ± -		PRODUCT SPEC		SIZE	A2
MATERIAL HOUSING: FLAME RETARDANT THERMOPLASTIC COLOR-BLACK POST: COPPER ALLOY		FINISH - POST: .000015 GOLD IN CONTACT AREA, .000100-.000200 MATTE TIN-LEAD ON SOLDER TAIL, ALL OVER .000050 NICKEL	APPLICATION SPEC	CAGE CODE	00779
		WEIGHT	-	DRAWING NO	C=104345
		CUSTOMER DRAWING		RESTRICTED TO	-
		SCALE	4:1	SHEET	1 of 1
				REV	K

X-ON Electronics

Largest Supplier of Electrical and Electronic Components

Click to view similar products for [Headers & Wire Housings](#) category:

Click to view products by [TE Connectivity](#) manufacturer:

Other Similar products are found below :

[892-18-020-10-001101](#) [58102-G61-06LF](#) [582553-1](#) [0009485154](#) [009176003701906](#) [0050291907](#) [LY20-4P-DT1-P1E-BR](#) [02.125.8002.8](#)
[609-3404](#) [61062-3](#) [61082-181009](#) [622-3653LF](#) [63453-116](#) [636-1030](#) [636-1427](#) [636-3427](#) [636-4007](#) [641938-9](#) [641991-4](#) [644827-2](#) [65817-](#)
[010LF](#) [65817-015LF](#) [65863-015LF](#) [66207-023LF](#) [67095-007LF](#) [67601157](#) [68645-018](#) [68648-049](#) [70.362.1628.0](#) [70-4210](#) [70-4226B](#) [70-](#)
[4853B](#) [707-5020](#) [707-5028](#) [71.350.2428.0](#) [71918-208LF](#) [71961-016LF](#) [733-134](#) [733-162](#) [754199-000](#) [760-3052](#) [787-8014-00](#) [79531-3000](#)
[FCN-360C032-B](#) [FCN-367T-T012/H](#) [FCN-723D010/2](#) [80.063.4001.1](#) [800-90-001-10-001000](#) [800-90-010-10-002000](#) [801-43-002-10-013000](#)