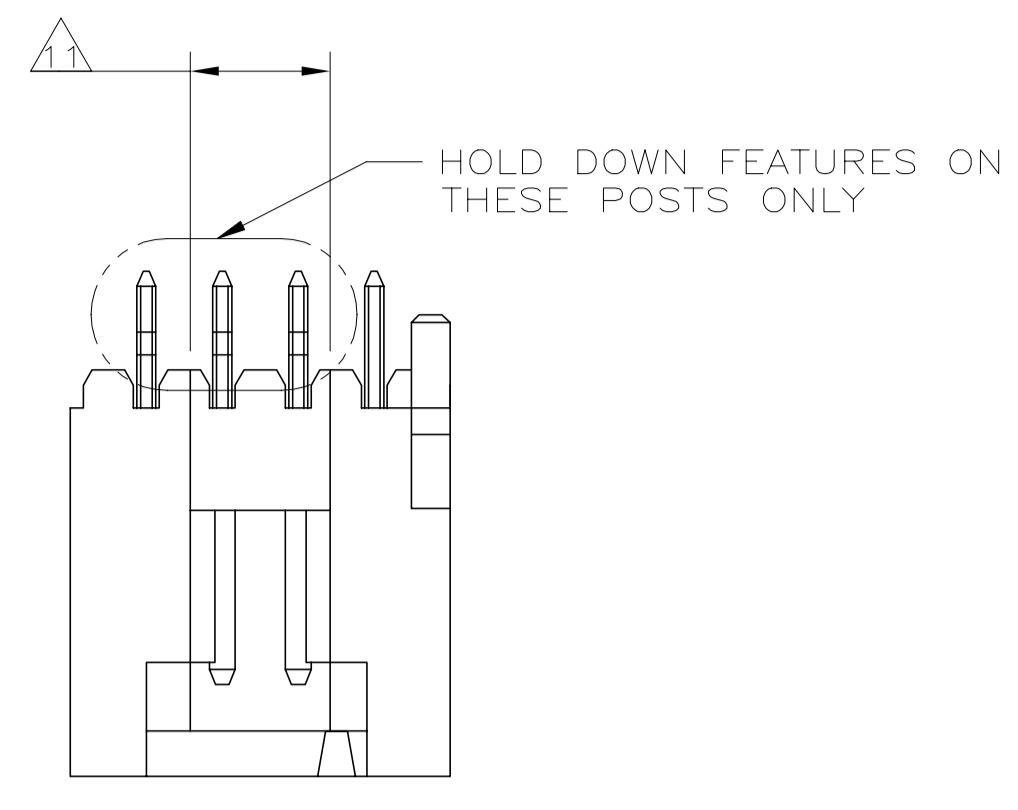
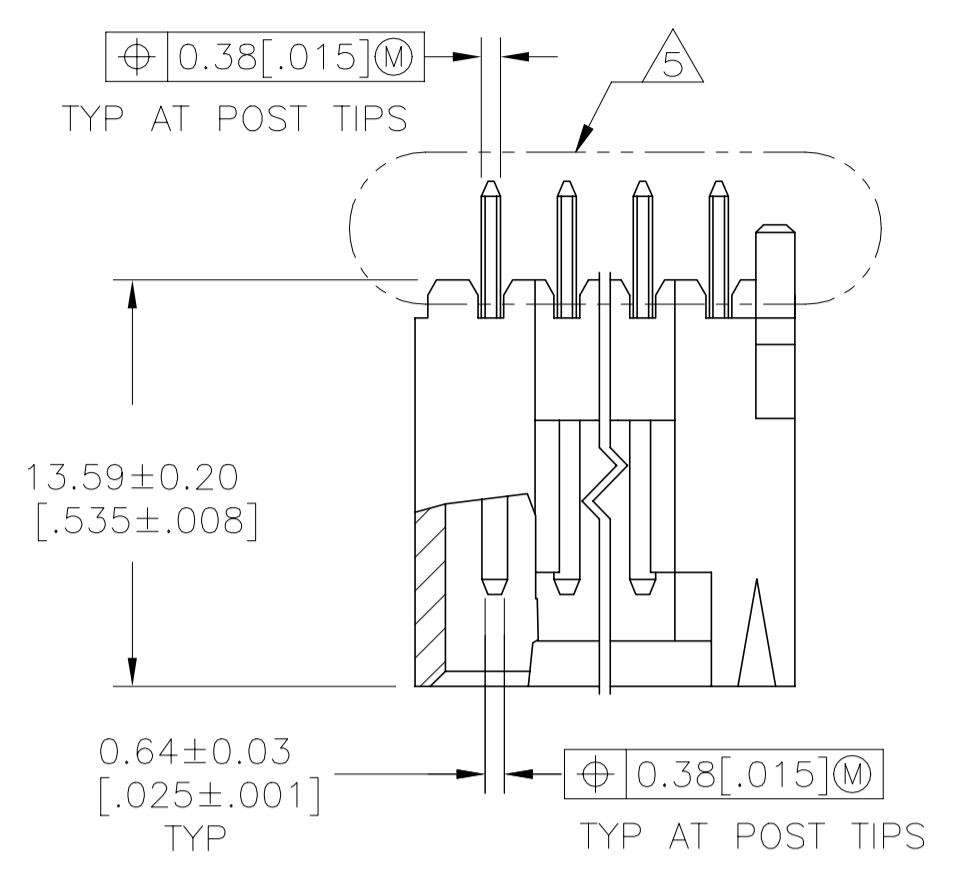
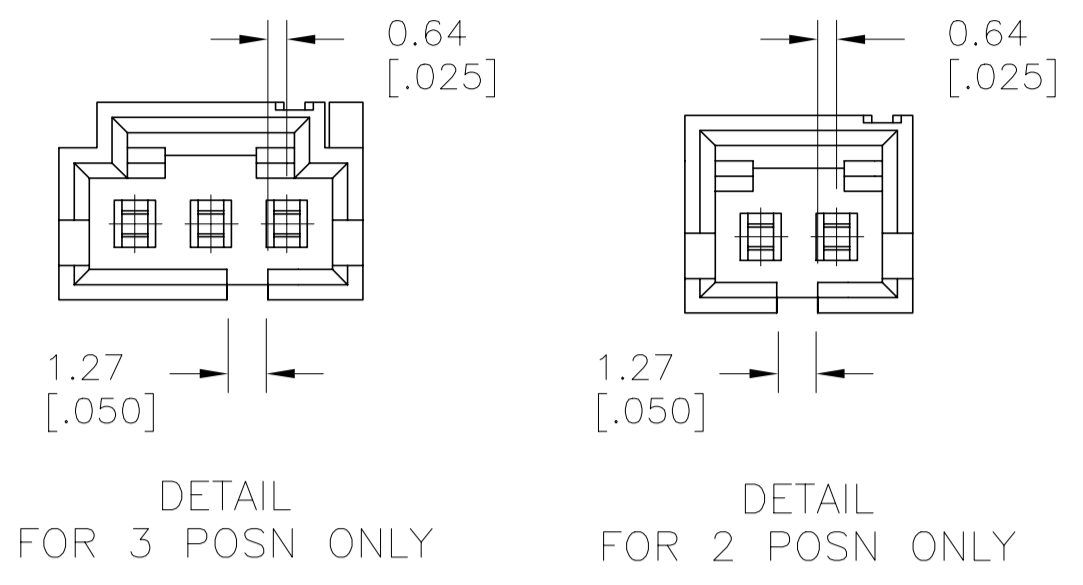


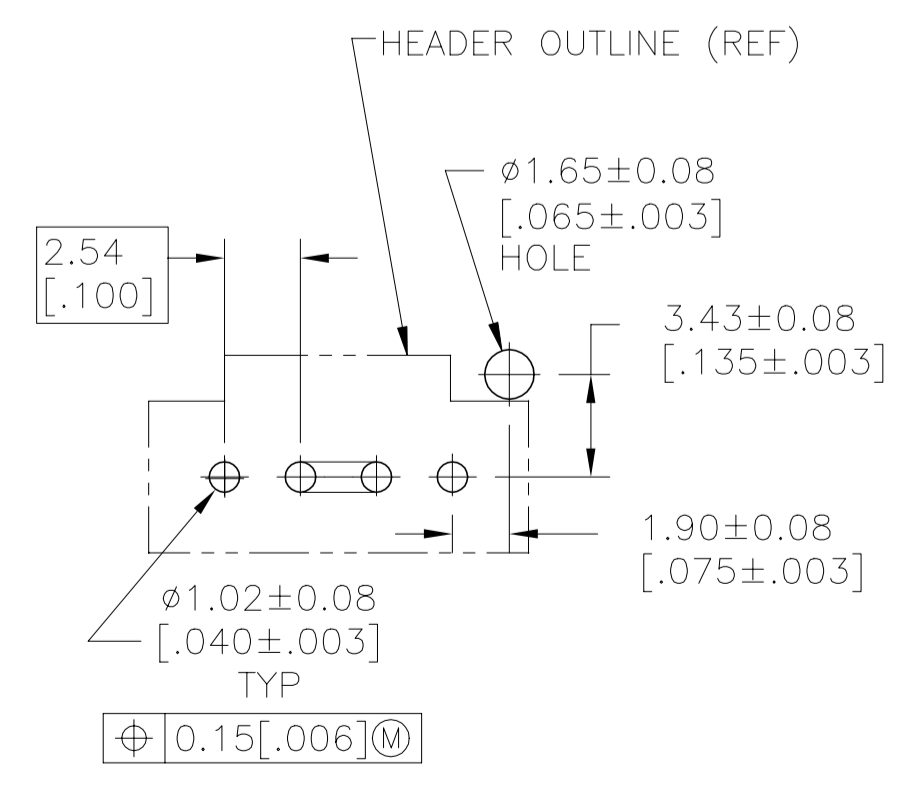
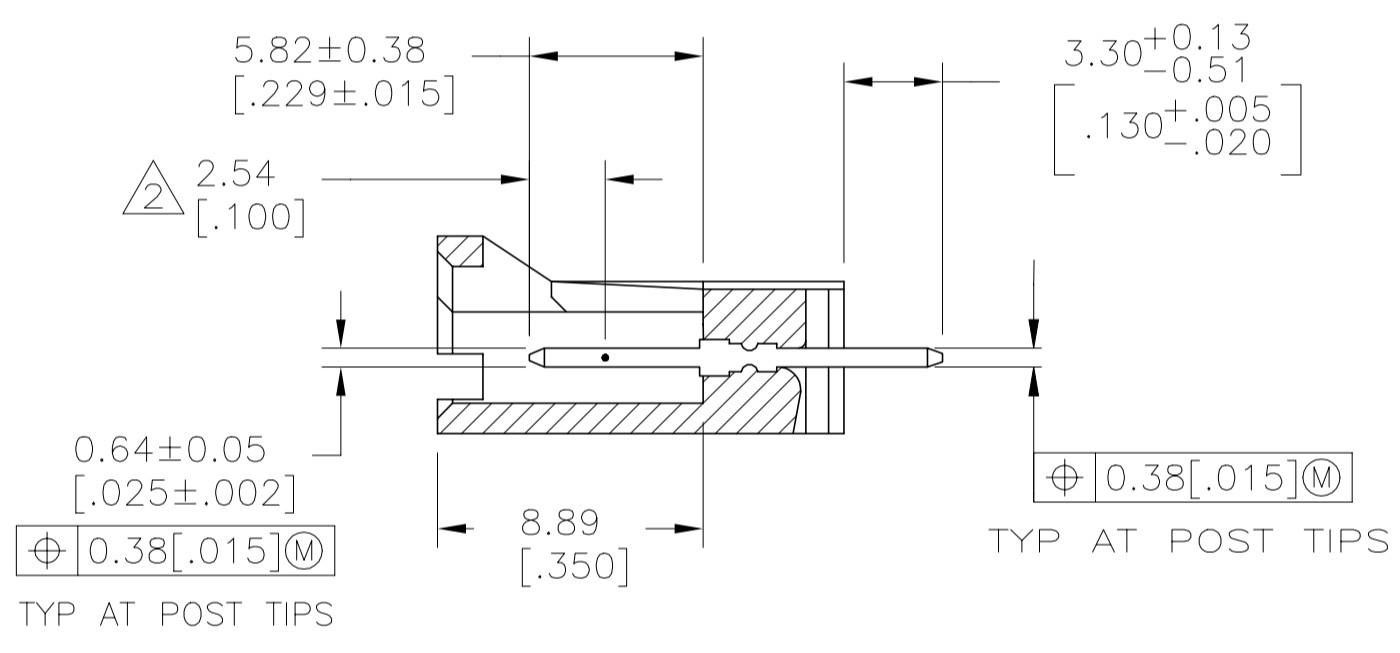
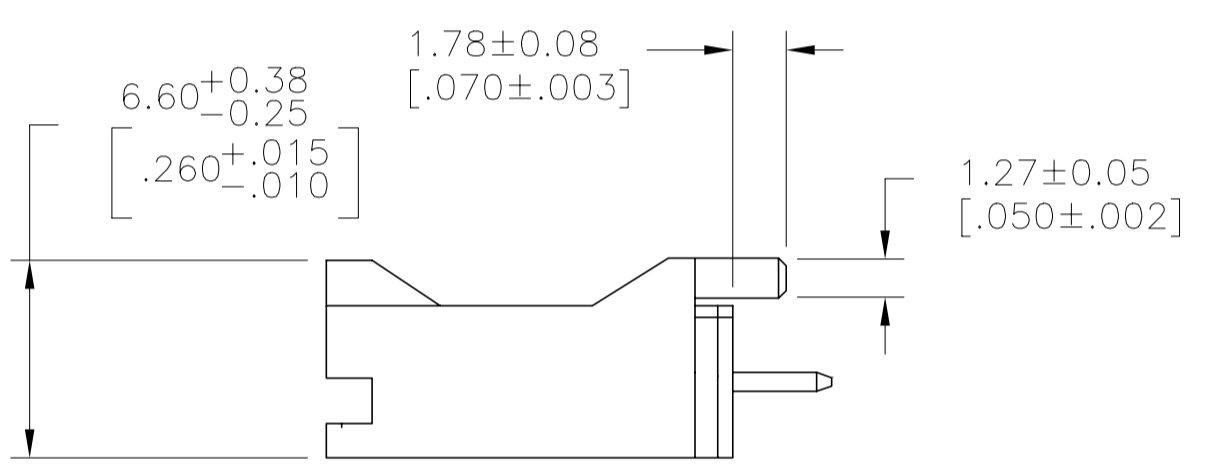
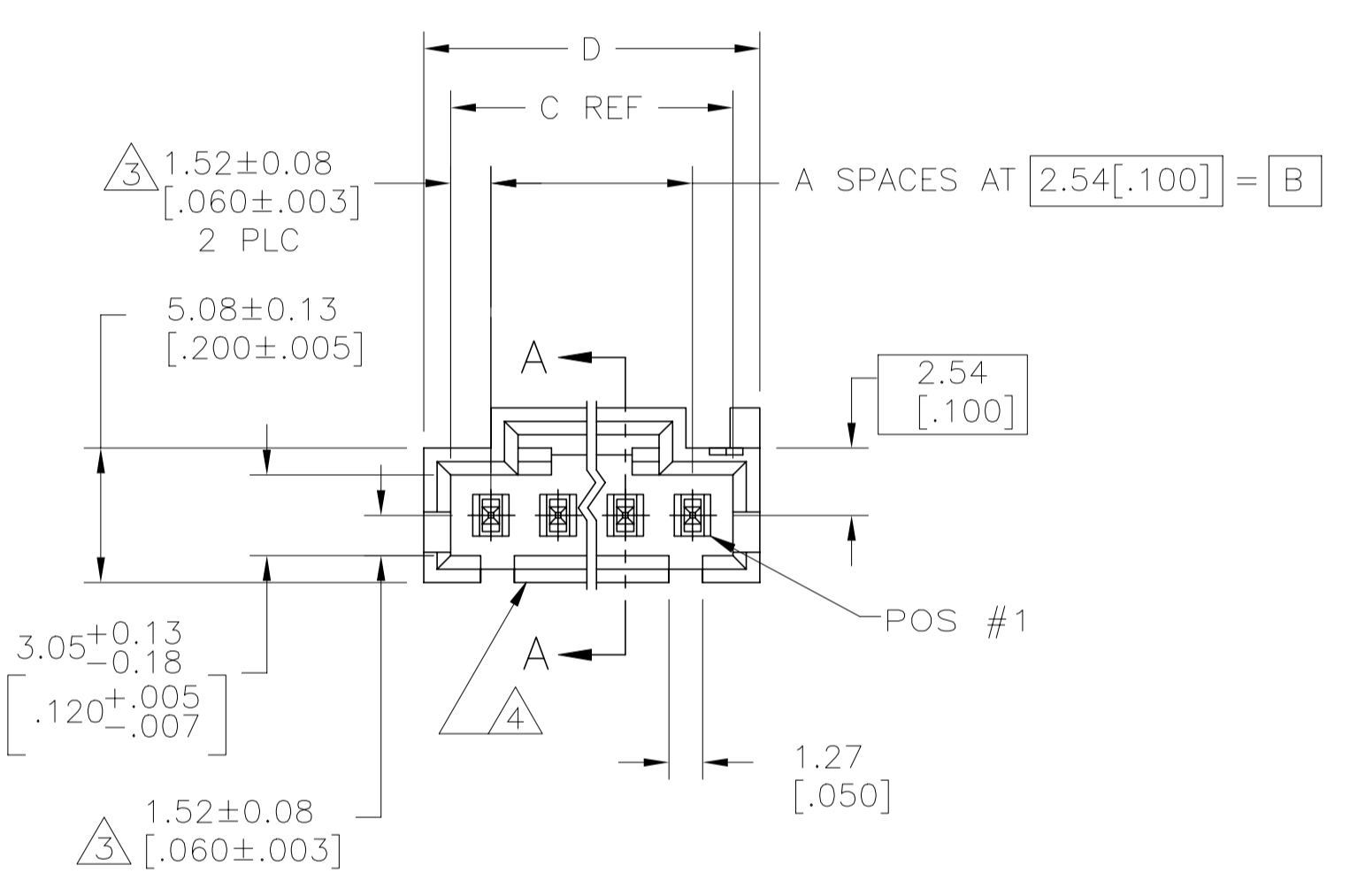
| REVISIONS |     |                           |           |       |
|-----------|-----|---------------------------|-----------|-------|
| P         | LTR | DESCRIPTION               | DATE      | APP'D |
| AF        |     | REVISED PER ECO-20-001327 | 04JUN2020 | SB JO |



HOLD DOWN CONFIGURATION FOR 4 POSITION ASSEMBLY ONLY



- 1 0.00254-0.00508 [.000100-.000200] BRIGHT TIN-LEAD OVER 0.00127 [.000050] NICKEL.
- 2 POINT OF MEASUREMENT FOR PLATING THICKNESS.
- 3 THESE DIMENSIONS APPLY WHERE THE POST INTERSECTS THE HOUSING.
- 4 ON ASSEMBLIES WITH FOUR OR MORE POSITIONS, TWO POLARIZATION SLOTS.
- 5 SELECT POST TAILS FORMED TO PROVIDE CONNECTOR HOLD DOWN UNTIL SOLDERED. CONFIGURATION ACCEPTS 0.69-2.03 [.027-.080] THICK PRINTED CIRCUIT BOARD. (SEE DETAIL Z).
- 6 MATERIAL: HOUSING- LCP, COLOR-BLACK. POSTS- BRASS.
- 7 0.00254-0.00508 [.000100-.000200] BRIGHT TIN OVER 0.00127 [.000050] NICKEL.
- 8 HIGH TEMPERATURE CONFIGURATION.
- 9 0.00254-0.00508 [.000100-.000200] MATTE TIN OVER 0.00127 [.000050] NICKEL.
- 10 OBSOLETE PARTS: OBSOLETE CIS STREAMLINING PER D.RENAUD/D.SINISI.
- 11 0.25 [.010] RECESS PERMISSIBLE IN THIS AREA FOR MOLD SHUT OFF



DETAIL Z POST DETAIL TYP 2 POST MINIMUM

| REMARKS     | PLATING | D             | C             | B            | A | NO OF POSN | ASSEMBLY PART NUMBER |
|-------------|---------|---------------|---------------|--------------|---|------------|----------------------|
| 10 OBSOLETE |         | 27.81 [1.095] | 25.91 [1.020] | 22.86 [.900] | 9 | 10         | 5-104450-9           |
| 9           |         | 25.27 [.995]  | 23.37 [.920]  | 20.32 [.800] | 8 | 9          | 5-104450-8           |
| 8           |         | 22.73 [.895]  | 20.83 [.820]  | 17.78 [.700] | 7 | 8          | 5-104450-7           |
| 10 OBSOLETE |         | 20.19 [.795]  | 18.29 [.720]  | 15.24 [.600] | 6 | 7          | 5-104450-6           |
| 9           |         | 17.65 [.695]  | 15.75 [.620]  | 12.7 [.500]  | 5 | 6          | 5-104450-5           |
| 8           |         | 15.11 [.595]  | 13.21 [.520]  | 10.16 [.400] | 4 | 5          | 5-104450-4           |
| 7           |         | 12.57 [.495]  | 10.67 [.420]  | 7.62 [.300]  | 3 | 4          | 5-104450-3           |
| 6           |         | 10.03 [.395]  | 8.13 [.320]   | 5.08 [.200]  | 2 | 3          | 5-104450-2           |
| 5           |         | 7.49 [.295]   | 5.59 [.220]   | 2.54 [.100]  | 1 | 2          | 5-104450-1           |
| 10 OBSOLETE |         | 20.19 [.795]  | 18.29 [.720]  | 15.24 [.600] | 6 | 7          | 4-104450-3           |
| 9           |         | 15.11 [.595]  | 13.21 [.520]  | 10.16 [.400] | 4 | 5          | 1-104450-2           |
| 8           |         | 10.03 [.395]  | 8.13 [.320]   | 5.08 [.200]  | 2 | 3          | 1-104450-1           |
| 7           |         | 12.57 [.495]  | 10.67 [.420]  | 7.62 [.300]  | 3 | 4          | 1-104450-0           |
| 6           |         | 27.81 [1.095] | 25.91 [1.020] | 22.86 [.900] | 9 | 10         | 104450-9             |
| 5           |         | 25.27 [.995]  | 23.37 [.920]  | 20.32 [.800] | 8 | 9          | 104450-8             |
| 4           |         | 22.73 [.895]  | 20.83 [.820]  | 17.78 [.700] | 7 | 8          | 104450-7             |
| 3           |         | 20.19 [.795]  | 18.29 [.720]  | 15.24 [.600] | 6 | 7          | 104450-6             |
| 2           |         | 17.65 [.695]  | 15.75 [.620]  | 12.7 [.500]  | 5 | 6          | 104450-5             |
| 1           |         | 15.11 [.595]  | 13.21 [.520]  | 10.16 [.400] | 4 | 5          | 104450-4             |
|             |         | 12.57 [.495]  | 10.67 [.420]  | 7.62 [.300]  | 3 | 4          | 104450-3             |
|             |         | 10.03 [.395]  | 8.13 [.320]   | 5.08 [.200]  | 2 | 3          | 104450-2             |
|             |         | 7.49 [.295]   | 5.59 [.220]   | 2.54 [.100]  | 1 | 2          | 104450-1             |

THIS DRAWING IS A CONTROLLED DOCUMENT.

DIMENSIONS: mm [INCHES]  
 TOLERANCES UNLESS OTHERWISE SPECIFIED:  
 0 PLC ±  
 1 PLC ±  
 2 PLC ±  
 3 PLC ± 0.38 [0.005]  
 4 PLC ±  
 ANGLES ±

MATERIAL: SEE NOTE 6  
 FINISH: SEE TABLE

DWG: R BROWN 09FEB01  
 CHK: K WRIGHT 09FEB01  
 APVD: K WRIGHT 09FEB01  
 PRODUCT SPEC: 108-25034  
 APPLICATION SPEC:

NAME: STE TE Connectivity  
 HEADLINE: HEADER ASSY, AMPMODU MTE, VERTICAL, WITH LATCH, SINGLE ROW, .100 CL, .025 SQ POSTS, PCB ORIENTATION, AND RETENTIVE POSTS  
 SIZE: A1  
 CAGE CODE: 00779  
 DRAWING NO: 104450  
 SCALE: 4:1  
 SHEET: 1 OF 1  
 REV: AF

## X-ON Electronics

Largest Supplier of Electrical and Electronic Components

*Click to view similar products for [Headers & Wire Housings](#) category:*

*Click to view products by [TE Connectivity](#) manufacturer:*

Other Similar products are found below :

[892-18-020-10-001101](#) [58102-G61-06LF](#) [582553-1](#) [0009485154](#) [009176003701906](#) [0050291907](#) [LY20-4P-DT1-P1E-BR](#) [02.125.8002.8](#)  
[609-3404](#) [61062-3](#) [61082-181009](#) [622-3653LF](#) [63453-116](#) [636-1030](#) [636-1427](#) [636-3427](#) [636-4007](#) [641938-9](#) [641991-4](#) [644827-2](#) [65817-](#)  
[010LF](#) [65817-015LF](#) [65863-015LF](#) [66207-023LF](#) [67095-007LF](#) [67601157](#) [68645-018](#) [68648-049](#) [70.362.1628.0](#) [70-4210](#) [70-4226B](#) [70-](#)  
[4853B](#) [707-5020](#) [707-5028](#) [71.350.2428.0](#) [71918-208LF](#) [71961-016LF](#) [733-134](#) [733-162](#) [754199-000](#) [760-3052](#) [787-8014-00](#) [79531-3000](#)  
[FCN-360C032-B](#) [FCN-367T-T012/H](#) [FCN-723D010/2](#) [80.063.4001.1](#) [800-90-001-10-001000](#) [800-90-010-10-002000](#) [801-43-002-10-013000](#)