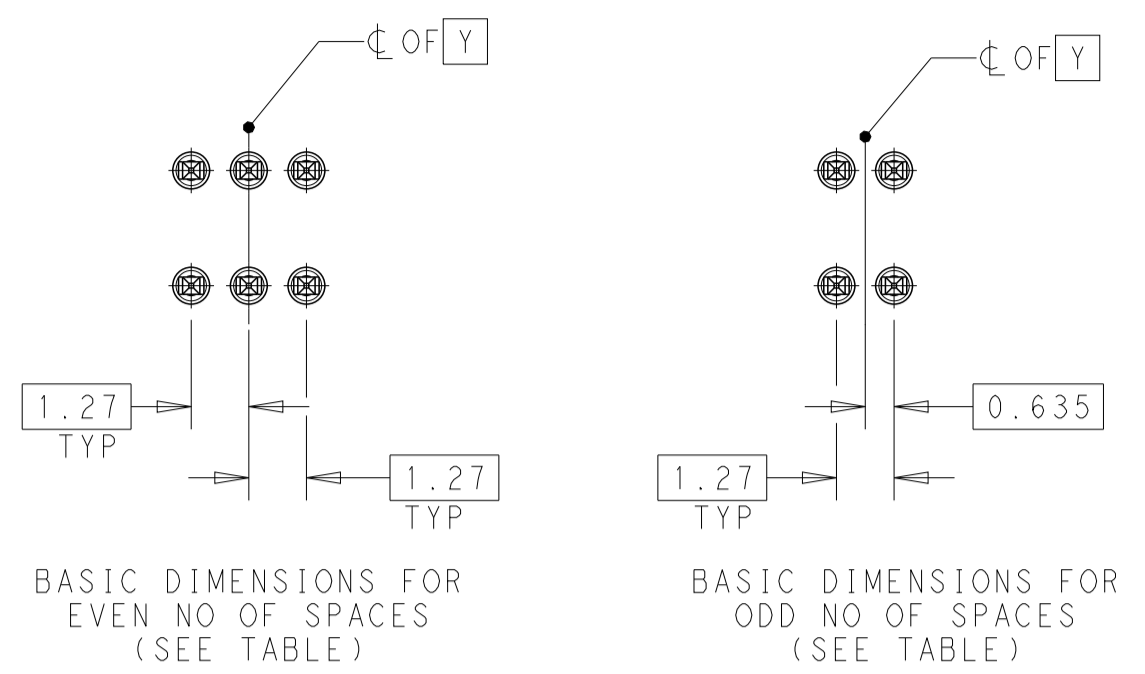
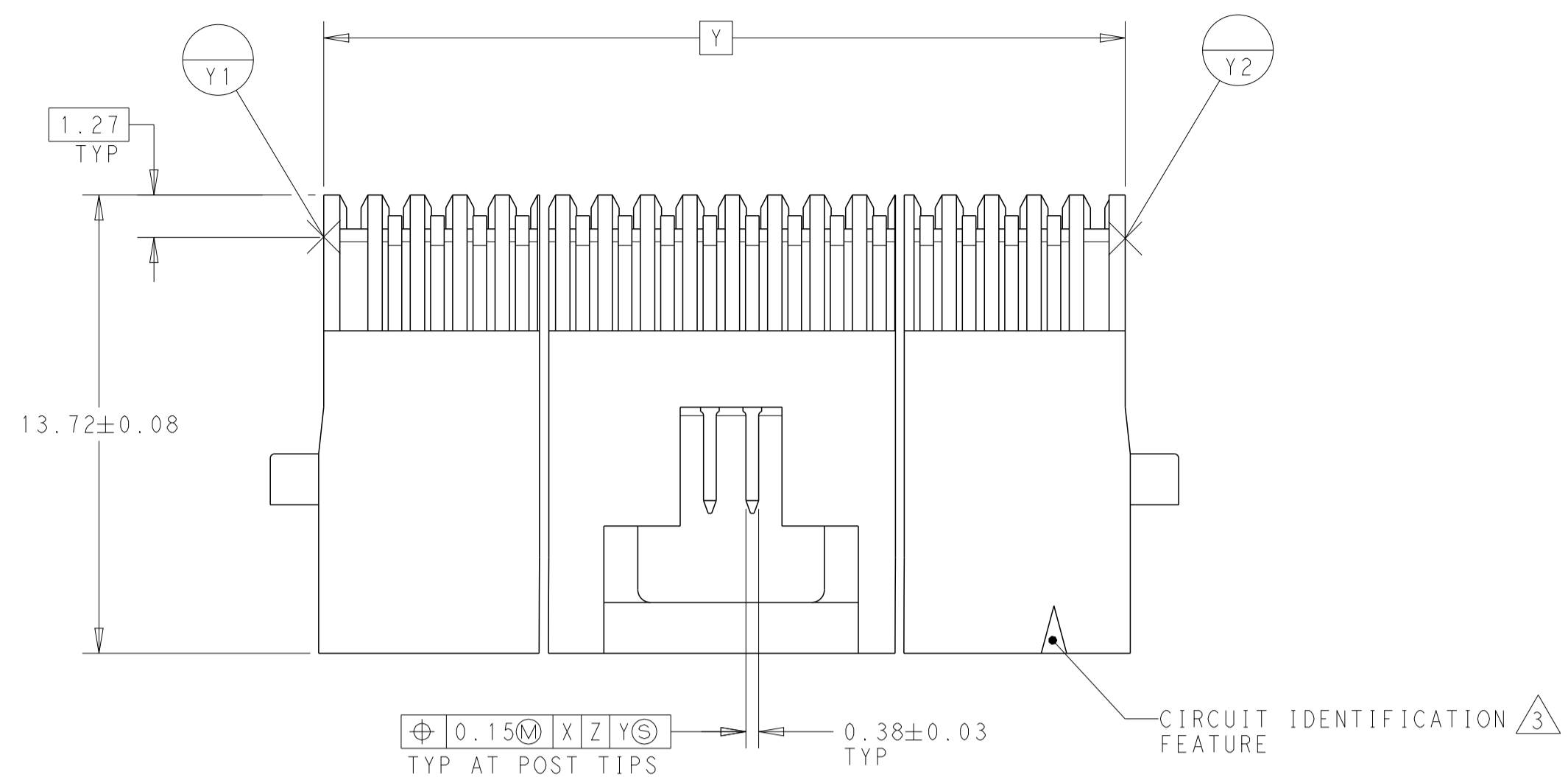
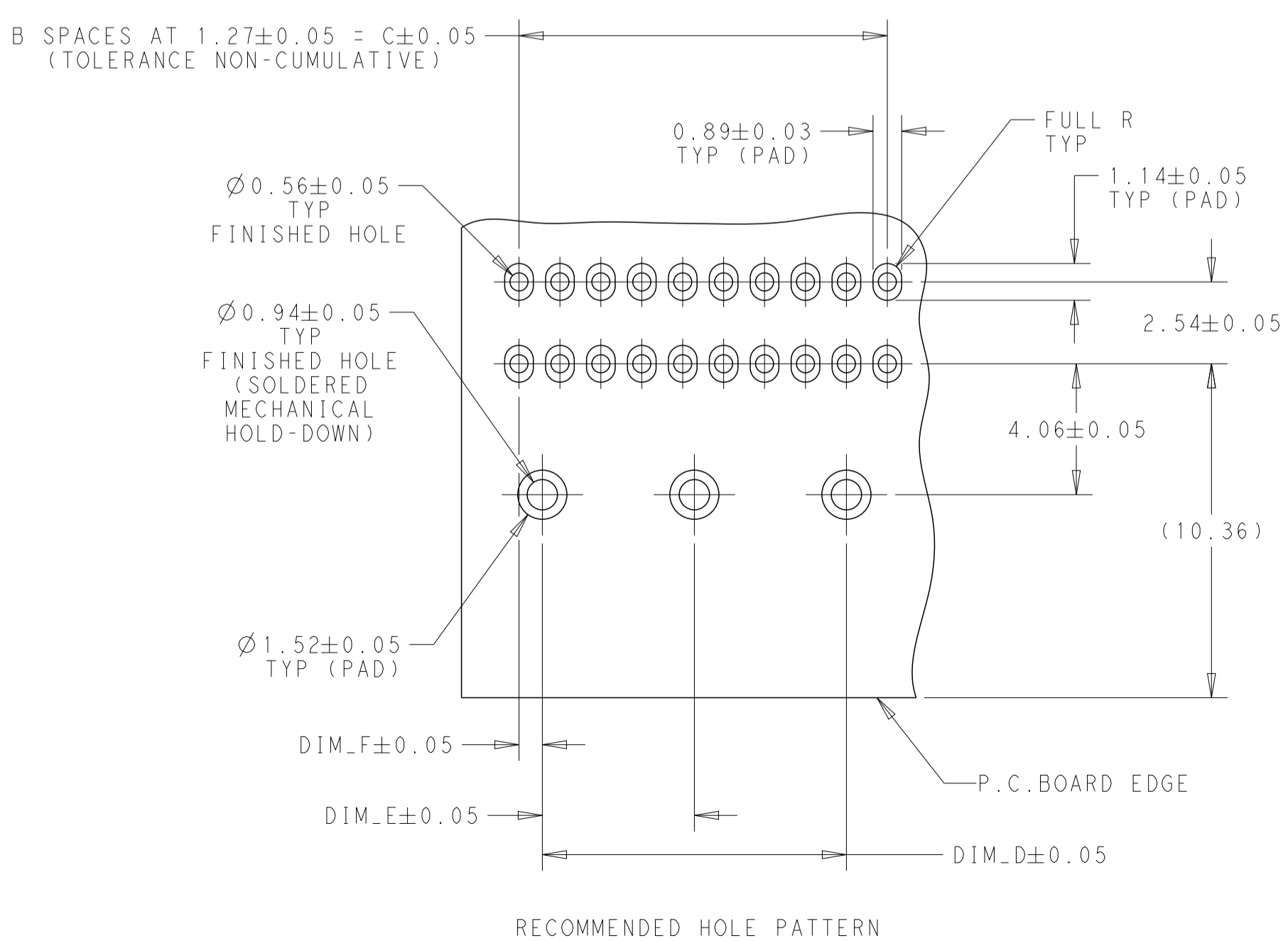
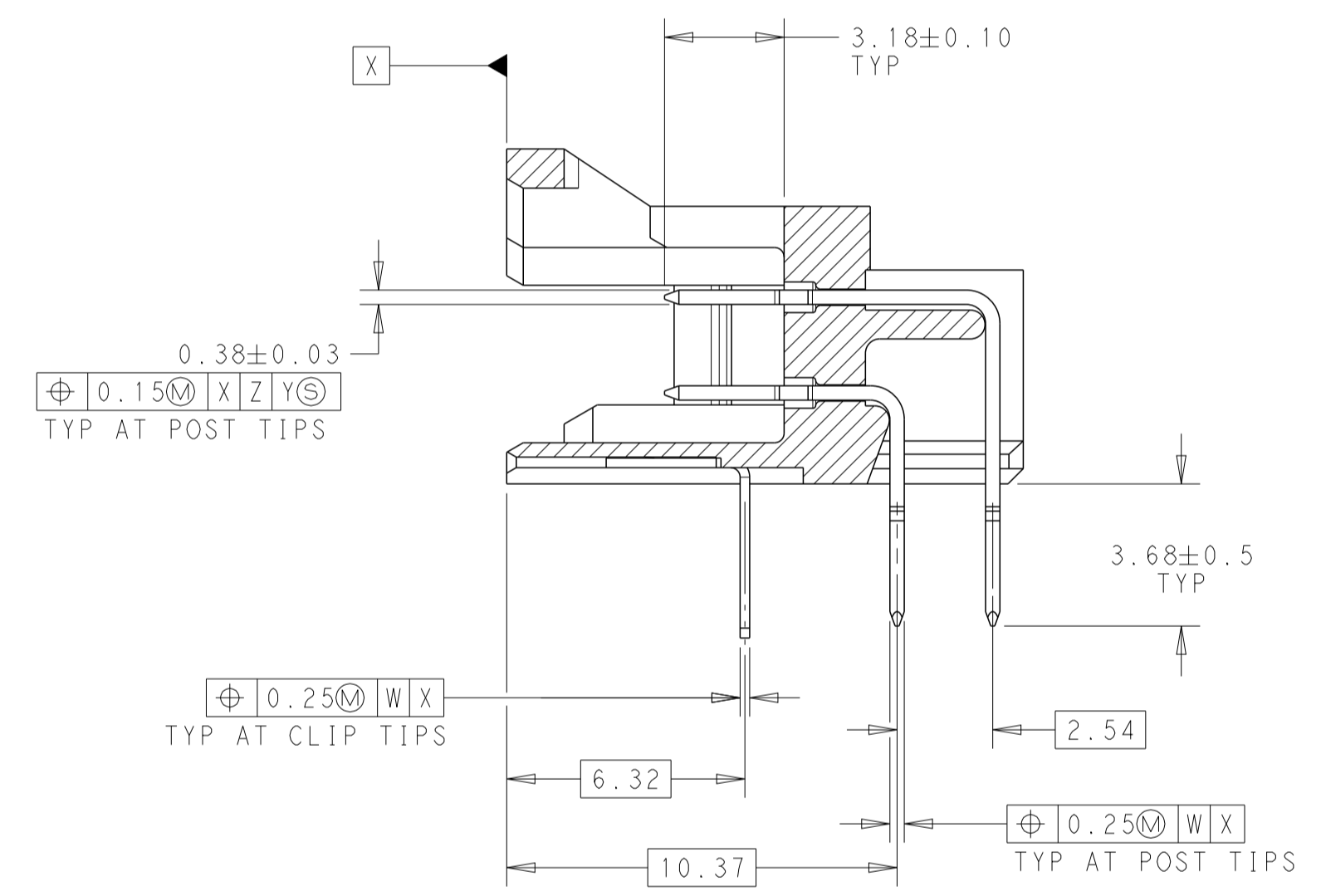
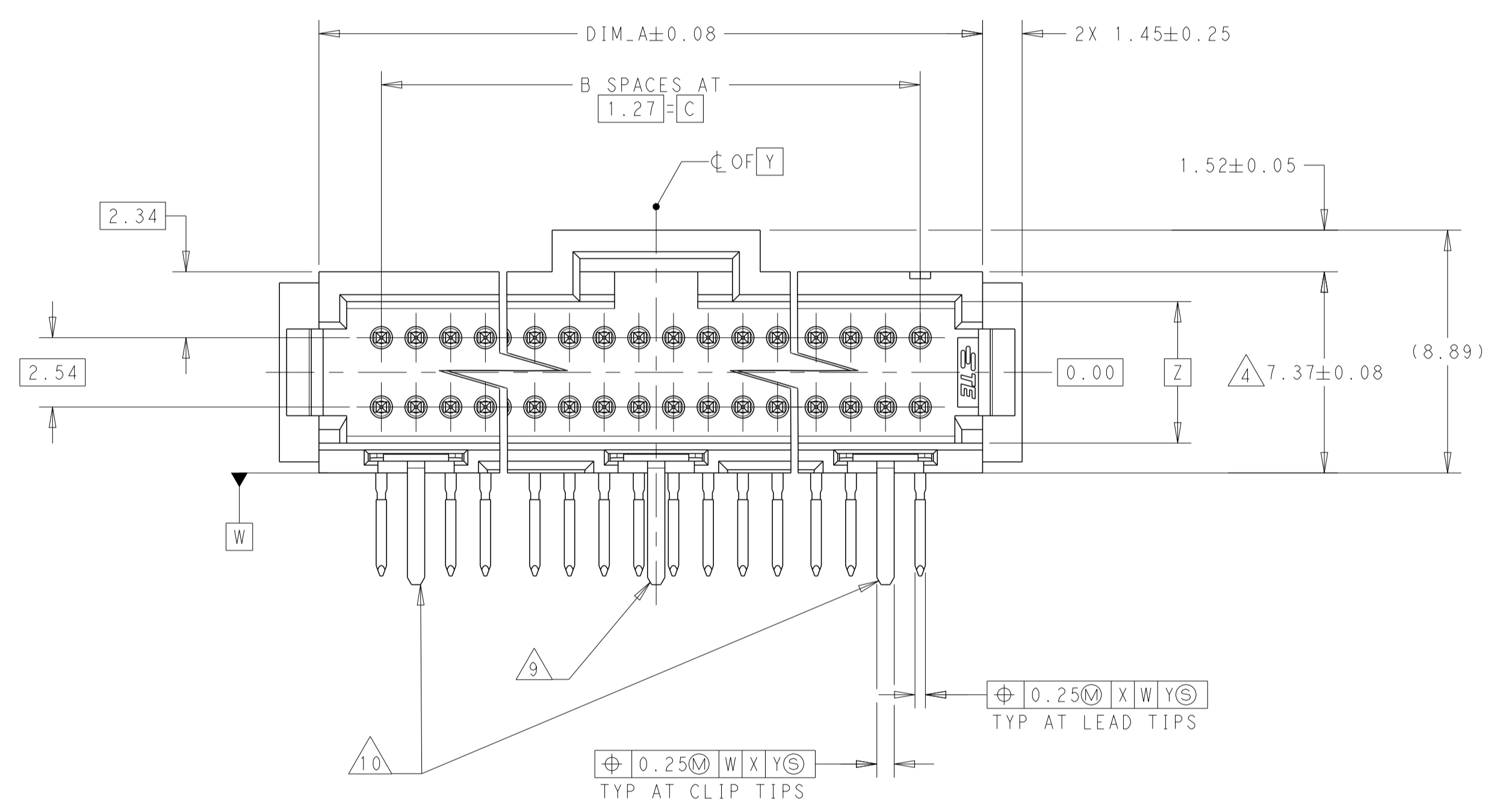


| REVISIONS | | | | |
|-----------|-----|-----------------------------------|-----------|------|
| P | LTN | DESCRIPTION | DATE | APPD |
| AA | | REDRAWN/REVISED PER ECO-17-001755 | 20NOV2017 | KS |



- 1 CONTACT AREAS PLATED WITH 0.76µm GOLD, SOLDER TAILS PLATED WITH 3.81µm TIN-LEAD, ALL OVER 1.27µm NICKEL
2. NOTE DELETED.
- 3 CIRCUIT IDENTIFICATION FEATURE OMITTED ON 8, 10, 12, & 14 POSITION HEADER ASSEMBLIES
- 4 DIMENSIONS APPLIES AT BASE OF SHROUD
- 5 THE NOTED DIMENSIONS APPLY AT THE INTERSECTION OF THE POST AND HOUSING.
6. NOTE DELETED.
- 7 CONTACT AREAS PLATED WITH 0.76µm GOLD, SOLDER TAILS PLATED WITH 3.81µm TIN, ALL OVER 1.27µm NICKEL.
- 8 HOUSING: LCP, COLOR: BLACK
POST: COPPER ALLOY
- 9 HOLD DOWN FEATURES LOCATED AS SHOWN FOR 8 THRU 14 & 60 THRU 100 POSN ASSEMBLIES (SEE TABLE)
- 10 HOLD DOWN FEATURES LOCATED AS SHOWN FOR 16 THRU 100 POSN ASSEMBLIES (SEE TABLE)
- 11 FINISH: 0.03µm MIN GOLD ON GOLD PLATED AREA, 3.81µm MATTE TIN LEAD ON TIN PLATED AREA. UNDER PLATING SHOULD BE 1.27µm NICKEL ON ENTIRE CONTACT.
- 12 FINISH: 0.03µm MIN GOLD ON GOLD PLATED AREA, 3.81µm MATTE TIN ON TIN PLATE AREA. UNDER PLATING SHOULD BE 1.27µm NICKEL ON ENTIRE CONTACT.
13. NOTE DELETED.
14. NOTE DELETED.



| FINISH | DIM_F | DIM_E | DIM_D | DIM_C | B SPACES | DIM_A | NO OF POSN | PART NUMBER |
|--------|-------|-------|-------|-------|----------|-------|------------|-------------|
| - | 2.54 | - | 5.08 | 4 | 9.65 | 10 | 8-104477-2 | |
| - | 1.27 | 12.7 | 15.24 | 12 | 19.81 | 26 | 8-104477-1 | |
| 5.72 | 1.27 | 11.43 | 13.97 | 11 | 18.54 | 24 | 8-104477-0 | |
| 17.15 | 1.27 | 34.29 | 36.83 | 29 | 41.40 | 60 | 7-104477-9 | |
| - | 3.18 | - | 6.35 | 5 | 10.92 | 12 | 7-104477-8 | |
| 29.85 | 1.27 | 59.69 | 62.23 | 49 | 66.80 | 100 | 7-104477-7 | |
| 23.5 | 1.27 | 46.99 | 49.53 | 39 | 54.10 | 80 | 7-104477-6 | |
| - | 1.27 | 27.94 | 30.48 | 24 | 35.05 | 50 | 7-104477-5 | |
| - | 1.27 | 21.59 | 24.13 | 19 | 28.70 | 40 | 7-104477-4 | |
| - | 1.27 | 15.24 | 17.78 | 14 | 22.35 | 30 | 7-104477-3 | |
| - | 1.27 | 8.89 | 11.43 | 9 | 16.00 | 20 | 7-104477-2 | |
| 20.96 | 1.27 | 41.91 | 44.45 | 35 | 49.02 | 72 | 7-104477-1 | |
| - | 2.54 | - | 5.08 | 4 | 9.65 | 10 | 6-104477-2 | |
| - | 1.27 | 12.7 | 15.24 | 12 | 19.81 | 26 | 6-104477-1 | |
| 5.72 | 1.27 | 11.43 | 13.97 | 11 | 18.54 | 24 | 6-104477-0 | |
| 17.15 | 1.27 | 34.29 | 36.83 | 29 | 41.40 | 60 | 5-104477-9 | |
| - | 3.18 | - | 6.35 | 5 | 10.92 | 12 | 5-104477-8 | |
| 29.85 | 1.27 | 59.69 | 62.23 | 49 | 66.80 | 100 | 5-104477-7 | |
| 23.5 | 1.27 | 46.99 | 49.53 | 39 | 54.10 | 80 | 5-104477-6 | |
| - | 1.27 | 27.94 | 30.48 | 24 | 35.05 | 50 | 5-104477-5 | |
| - | 1.27 | 21.59 | 24.13 | 19 | 28.70 | 40 | 5-104477-4 | |
| - | 1.27 | 15.24 | 17.78 | 14 | 22.35 | 30 | 5-104477-3 | |
| - | 1.27 | 8.89 | 11.43 | 9 | 16.00 | 20 | 5-104477-2 | |
| 20.96 | 1.27 | 41.91 | 44.45 | 35 | 49.02 | 72 | 5-104477-1 | |

| FINISH | DIM_F | DIM_E | DIM_D | DIM_C | B SPACES | DIM_A | NO OF POSN | PART NUMBER |
|--------|-------|-------|-------|-------|----------|-------|------------|-------------|
| - | 2.54 | - | 5.08 | 4 | 9.65 | 10 | 3-104477-2 | |
| - | 1.27 | 12.7 | 15.24 | 12 | 19.81 | 26 | 3-104477-1 | |
| 5.72 | 1.27 | 11.43 | 13.97 | 11 | 18.54 | 24 | 3-104477-0 | |
| 17.15 | 1.27 | 34.29 | 36.83 | 29 | 41.40 | 60 | 2-104477-9 | |
| - | 3.18 | - | 6.35 | 5 | 10.92 | 12 | 2-104477-8 | |
| 29.85 | 1.27 | 59.69 | 62.23 | 49 | 66.80 | 100 | 2-104477-7 | |
| 23.5 | 1.27 | 46.99 | 49.53 | 39 | 54.10 | 80 | 2-104477-6 | |
| - | 1.27 | 27.94 | 30.48 | 24 | 35.05 | 50 | 2-104477-5 | |
| - | 1.27 | 21.59 | 24.13 | 19 | 28.70 | 40 | 2-104477-4 | |
| - | 1.27 | 15.24 | 17.78 | 14 | 22.35 | 30 | 2-104477-3 | |
| - | 1.27 | 8.89 | 11.43 | 9 | 16.00 | 20 | 2-104477-2 | |
| 20.96 | 1.27 | 41.91 | 44.45 | 35 | 49.02 | 72 | 2-104477-1 | |
| - | 2.54 | - | 5.08 | 4 | 9.65 | 10 | 1-104477-2 | |
| - | 1.27 | 12.7 | 15.24 | 12 | 19.81 | 26 | 1-104477-1 | |
| 5.72 | 1.27 | 11.43 | 13.97 | 11 | 18.54 | 24 | 1-104477-0 | |
| 17.15 | 1.27 | 34.29 | 36.83 | 29 | 41.40 | 60 | 104477-9 | |
| - | 3.18 | - | 6.35 | 5 | 10.92 | 12 | 104477-8 | |
| 29.85 | 1.27 | 59.69 | 62.23 | 49 | 66.80 | 100 | 104477-7 | |
| 23.5 | 1.27 | 46.99 | 49.53 | 39 | 54.10 | 80 | 104477-6 | |
| - | 1.27 | 27.94 | 30.48 | 24 | 35.05 | 50 | 104477-5 | |
| - | 1.27 | 21.59 | 24.13 | 19 | 28.70 | 40 | 104477-4 | |
| - | 1.27 | 15.24 | 17.78 | 14 | 22.35 | 30 | 104477-3 | |
| - | 1.27 | 8.89 | 11.43 | 9 | 16.00 | 20 | 104477-2 | |
| 20.96 | 1.27 | 41.91 | 44.45 | 35 | 49.02 | 72 | 104477-1 | |

THIS DRAWING IS A CONTROLLED DOCUMENT.

APVD: J. OLSON 20NOV2017

PRODUCT SPEC: 108-1093

APPLICATION SPEC: 114-25031

WEIGHT: -

CUSTOMER DRAWING

SCALE: 6:1

SHEET 1 OF 1

REV AA

TE Connectivity

HEADER ASSEMBLY, RIGHT ANGLE, DOUBLE ROW, W/SIDE & END LATCHES, AMPMODU System 50

SIZE: A1

100779

104477

X-ON Electronics

Largest Supplier of Electrical and Electronic Components

Click to view similar products for [Headers & Wire Housings](#) category:

Click to view products by [TE Connectivity](#) manufacturer:

Other Similar products are found below :

[95000-104TRLF](#) [10135584-644402LF](#) [DF62W-EP2022PCA](#) [95000-106TRLF](#) [DF62W-2022SCA](#) [DF62W-EP2022PC](#) [2203348](#) [DF62W-2022SC](#) [1084018](#) [1029039](#) [1084017](#) [802-10-012-10-002000](#) [1112640](#) [1112639](#) [000-34000](#) [0009482033](#) [0009507031](#) [57102-S06-03LF](#) [57202-S52-04LF](#) [PCN6-15S-2.5E](#) [0039019024](#) [58102-G61-06LF](#) [582553-1](#) [0009508121](#) [0050291907](#) [018731A](#) [LY20-4P-DT1-P1E-BR](#) [02.125.8002.8](#) [60101931](#) [60598-1 \(Cut Strip\)](#) [M1625-3R/100](#) [61062-3](#) [61082-181009](#) [636-1427](#) [638009-1](#) [641938-9](#) [641991-4](#) [644168-1](#) [647662-1](#) [65039-019ELF](#) [65817-002LF](#) [65817-015LF](#) [65863-015LF](#) [66207-023LF](#) [67016-026LF](#) [67046-001LF](#) [67095-007LF](#) [68002-116](#) [68016-236H](#) [68648-049](#)