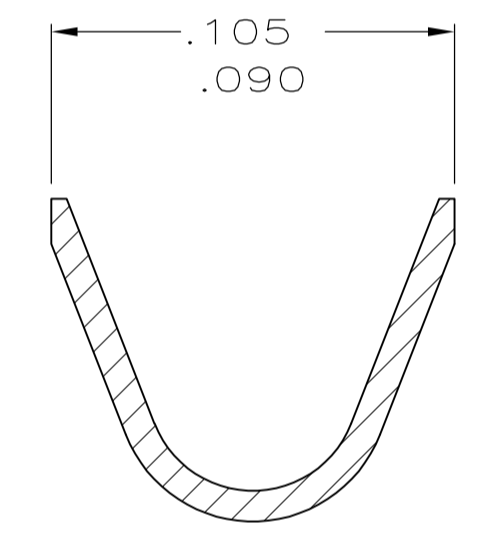
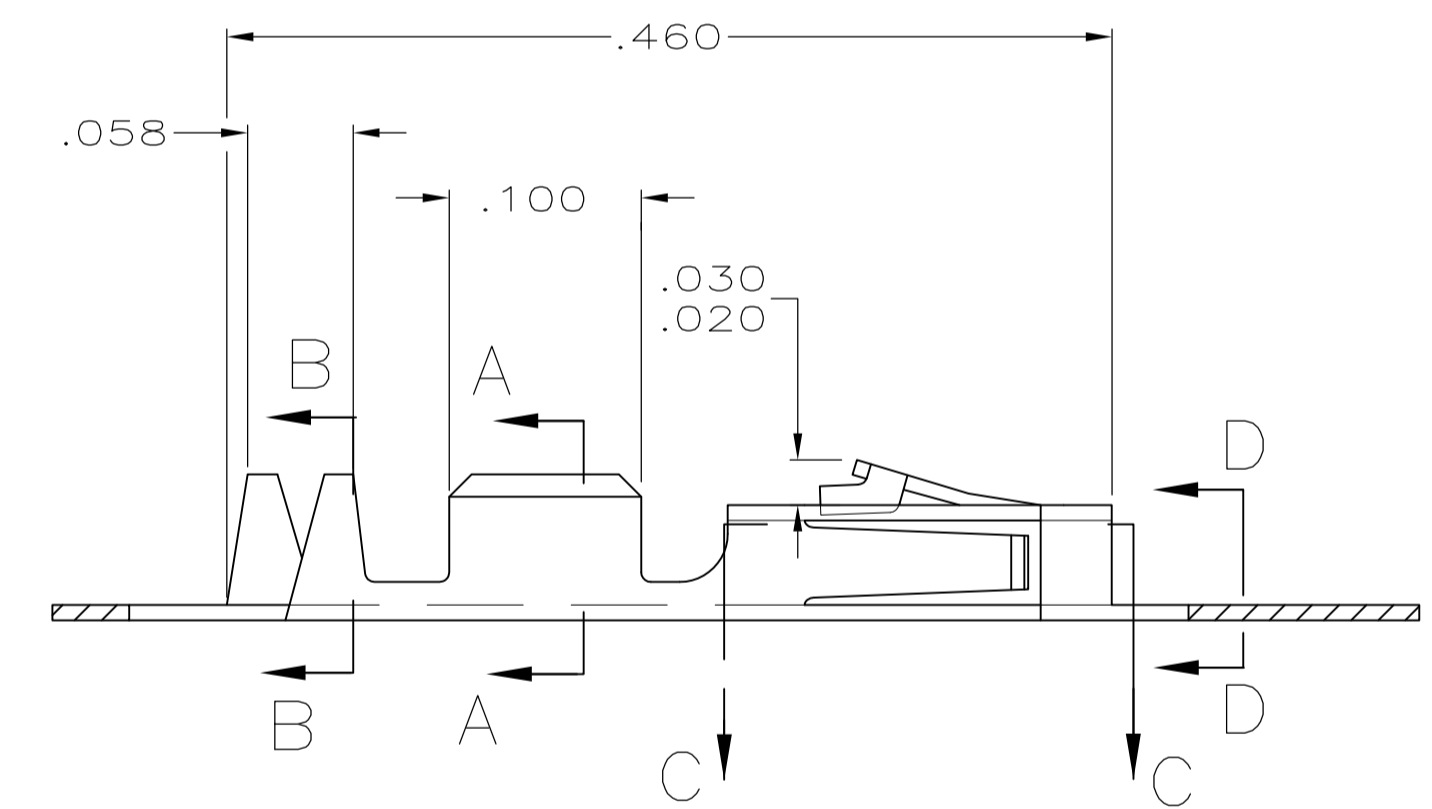
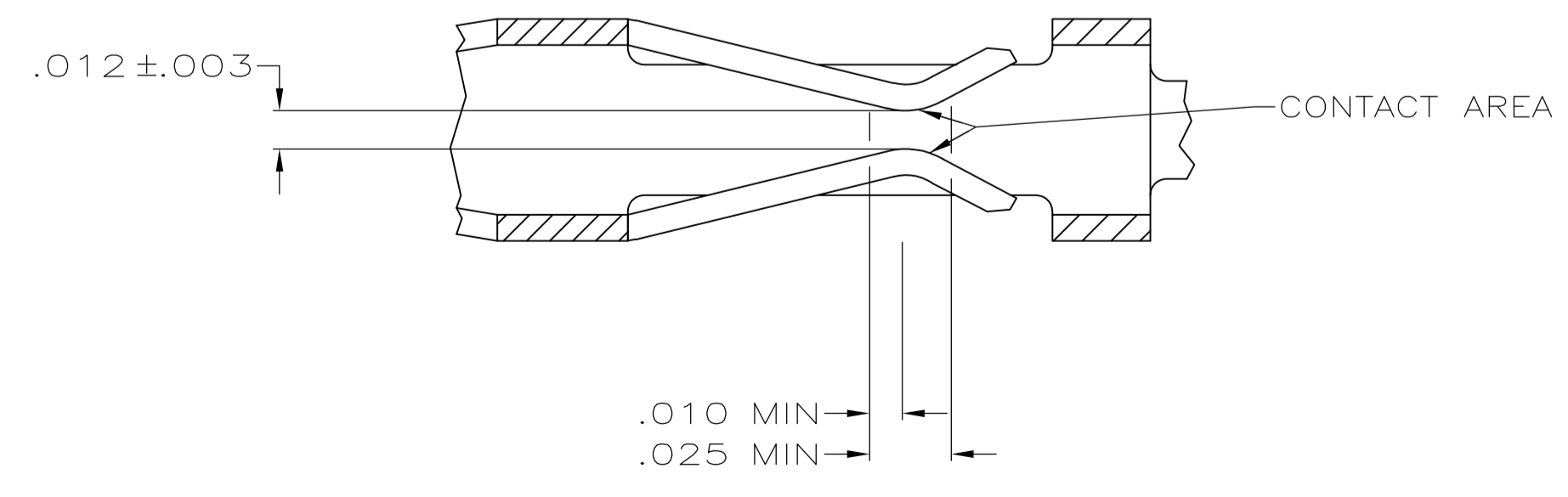


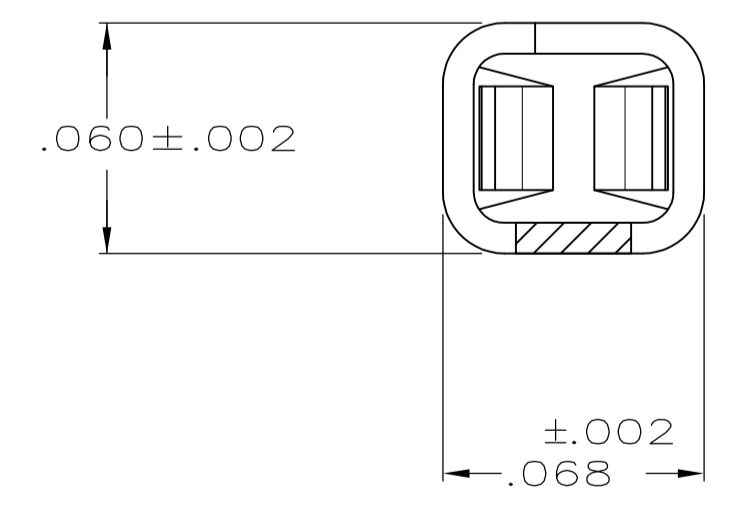
SECTION A-A  
SCALE 20:1



SECTION B-B  
INSULATION RANGE .025-.060  
SCALE 20:1



SECTION C-C  
SCALE 20:1



SECTION D-D  
SCALE 20:1

- 1 .000100 MIN BRIGHT TIN-LEAD OVER .000050 MIN NICKEL ON ENTIRE CONTACT
- 2 .000050 MIN NICKEL ON ENTIRE CONTACT; .000015 MIN GOLD ON CONTACT AREA; .000050 MIN BRIGHT TIN-LEAD ON AREA M.
- 3 .000050 MIN NICKEL ON ENTIRE CONTACT; .000030 MIN GOLD ON CONTACT AREA; .000050 MIN BRIGHT TIN-LEAD ON AREA M.
- 4 LOOSE PIECE CUT-OFF DIMENSION.
- 5 .000100-.000200 TIN OVER .000050-.000100 NICKEL ON ENTIRE CONTACT.
- 6 PREPLATED MATERIAL: (.000015 MIN GOLD ON CONTACT AREA, .000050-.000100 TIN ON AREA M, ALL OVER .000050-.000100 NICKEL ON ENTIRE CONTACT).
- 7 PREPLATED MATERIAL: (.000030 MIN GOLD ON CONTACT AREA, .000050-.000100 TIN ON AREA M, ALL OVER .000050-.000100 NICKEL ON ENTIRE CONTACT).

STRIP	7	1-104479-8
LOOSE PIECE	7 REF	1-104479-3
LOOSE PIECE	6 REF	1-104479-2
LOOSE PIECE	5 REF	1-104479-1
STRIP	4	1-104479-0
STRIP	6	104479-9
STRIP	5	104479-8
LOOSE PIECE	3 REF	104479-7
LOOSE PIECE	2 REF	104479-6
LOOSE PIECE	1 REF	104479-5
STRIP	3	104479-4
STRIP	2	104479-3
STRIP	1	104479-2
REMARKS	FINISH	PART NO

THIS DRAWING IS A CONTROLLED DOCUMENT.

DIMENSIONS: INCHES	TOLERANCES UNLESS OTHERWISE SPECIFIED:	DIN C. OBERMAN 5-9-89	TE Connectivity
		CIK 5-12-89	
		K. HELM	
		APVD R. ELICKER 5-12-89	NAME
			CONTACT, CRIMP SNAP-IN
			AMP MODU SHORT POINT, 20-24 AWG
			PRODUCT SPEC
			108-1472
			APPLICATION SPEC
			114-25038
MATERIAL: PHOSPHOR BRONZE	FINISH: SEE TABLE	WEIGHT: -	SIZE: A1
			00779C=104479
			RESTRICTED TO
			CUSTOMER DRAWING
			SCALE 10:1 SHEET 1 OF 1 REV R2

## X-ON Electronics

Largest Supplier of Electrical and Electronic Components

*Click to view similar products for [Headers & Wire Housings](#) category:*

*Click to view products by [TE Connectivity](#) manufacturer:*

Other Similar products are found below :

[892-18-020-10-001101](#) [58102-G61-06LF](#) [582553-1](#) [0009485154](#) [009176003701906](#) [0050291907](#) [LY20-4P-DT1-P1E-BR](#) [02.125.8002.8](#)  
[609-3404](#) [61062-3](#) [61082-181009](#) [622-3653LF](#) [63453-116](#) [636-1030](#) [636-1427](#) [636-3427](#) [636-4007](#) [641938-9](#) [641991-4](#) [644827-2](#) [65817-](#)  
[010LF](#) [65817-015LF](#) [65863-015LF](#) [66207-023LF](#) [67095-007LF](#) [67601157](#) [68645-018](#) [68648-049](#) [70.362.1628.0](#) [70-4210](#) [70-4226B](#) [70-](#)  
[4853B](#) [707-5020](#) [707-5028](#) [71.350.2428.0](#) [71918-208LF](#) [71961-016LF](#) [733-134](#) [733-162](#) [754199-000](#) [760-3052](#) [787-8014-00](#) [79531-3000](#)  
[FCN-360C032-B](#) [FCN-367T-T012/H](#) [FCN-723D010/2](#) [80.063.4001.1](#) [800-90-001-10-001000](#) [800-90-010-10-002000](#) [801-43-002-10-013000](#)