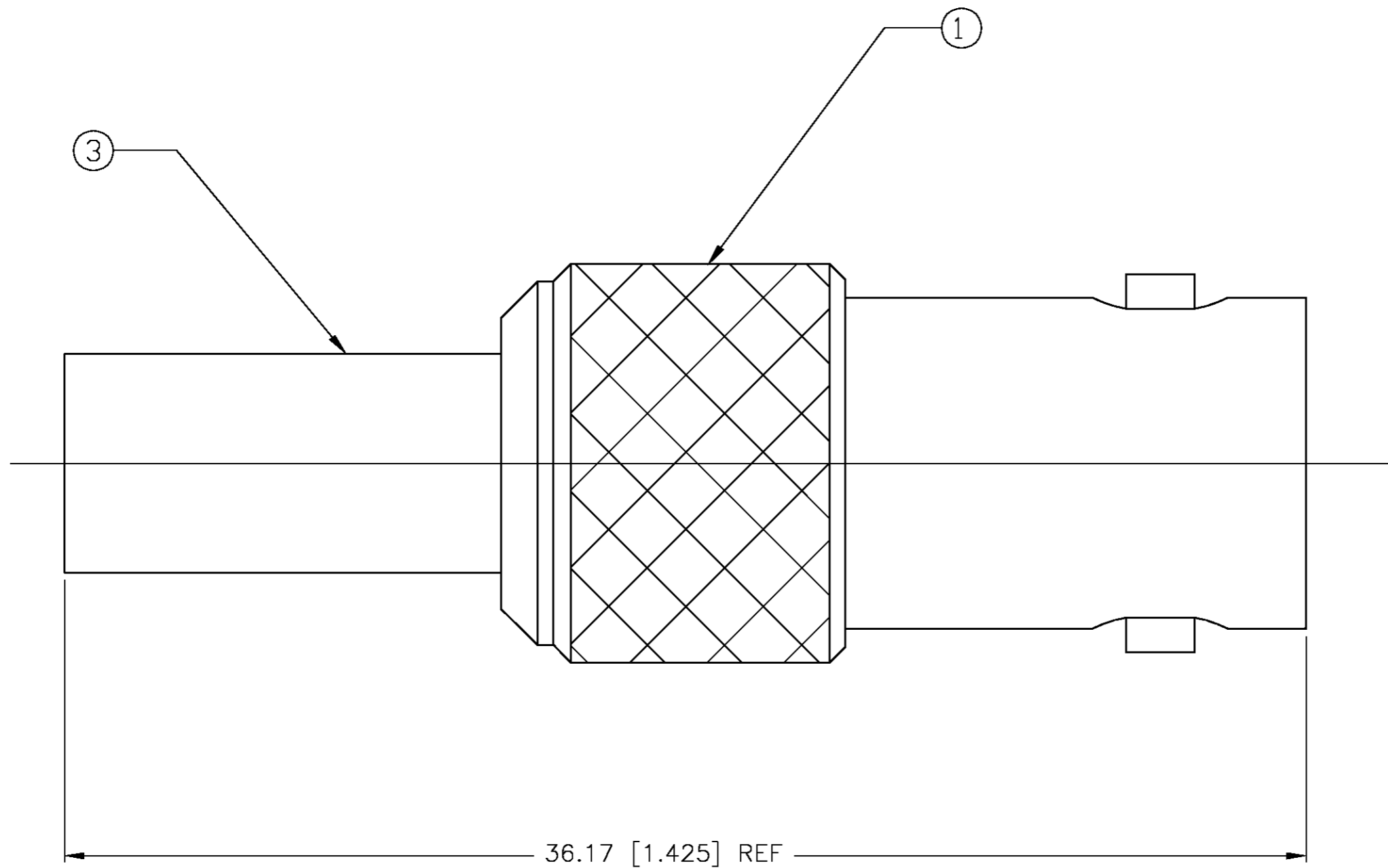
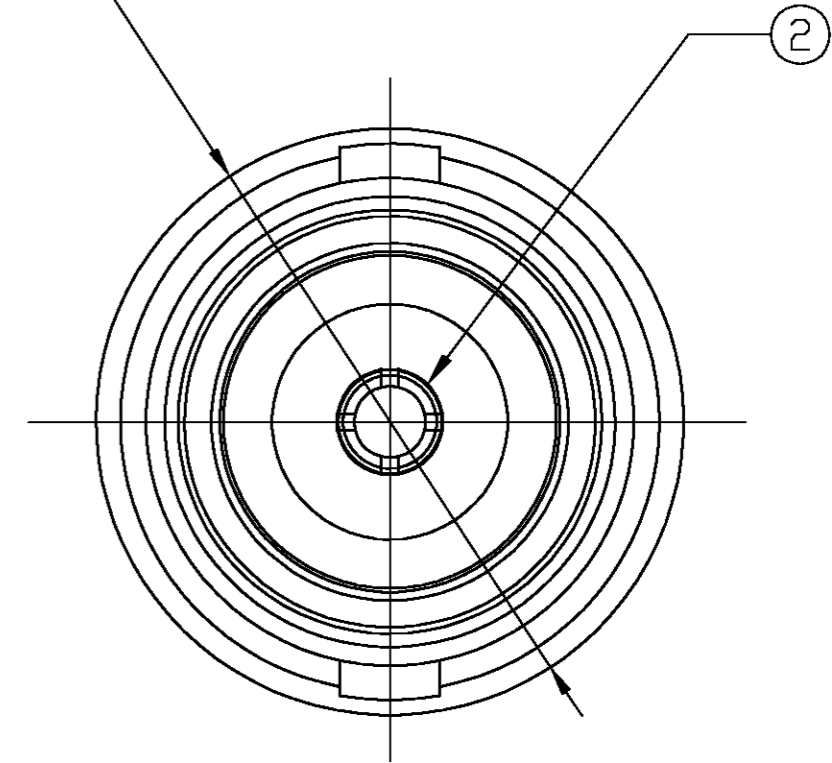


THIS DRAWING IS UNPUBLISHED. RELEASED FOR PUBLICATION
 © COPYRIGHT BY TYCO ELECTRONICS CORPORATION. ALL RIGHTS RESERVED.

Loc		DIST		REVISIONS			
P	LTR	DESCRIPTION		DATE	DWN	APVD	
0		REVISED PER 0S14-0346-03		10OCT03	GV	JGH	



Ø11.62 [Ø.458] OVER KNURL



NOTES:

1. SEE INSTRUCTION SHEET 408-8358 FOR CABLE PREP AND ASSY INFORMATION.
2. ITEMS 2 AND 3 ARE PACKAGED LOOSELY WITH JACK ASSEMBLY.
3. FOR USE WITH RG 58C/U, RG 141A/U, URM43, AND URM76 CABLES.

1401380-4	1401357-4	1404160-3	1044939-1
③ FERRULE QTY:1	② CONTACT QTY:1	① JACK ASSY QTY:1	PART #

THIS DRAWING IS A CONTROLLED DOCUMENT.		DWN G. VIERA 10OCT03	Tyco Electronics Corporation Middletown, PA 17057	
DIMENSIONS: MM / IN		CHK J. HAVENER 10OCT03	NAME BNC JACK KIT (B35E43M010X)	
TOLERANCES UNLESS OTHERWISE SPECIFIED:		APVD J. HAVENER 10OCT03	PRODUCT SPEC	RESTRICTED TO
0 PLC ± - 1 PLC ± - 2 PLC ± .13 mm 3 PLC ± .005 in 4 PLC ± - ANGLES ± 2		APPLICATION SPEC	SIZE A2	CAGE CODE 00779
MATERIAL	FINISH	WEIGHT	SCALE NTS	DRAWING NO C=1044939
-	-	-	SHEET 1 OF 1	REV 0
CUSTOMER DRAWING				

X-ON Electronics

Largest Supplier of Electrical and Electronic Components

Click to view similar products for [RF Connectors / Coaxial Connectors](#) category:

Click to view products by [TE Connectivity](#) manufacturer:

Other Similar products are found below :

[8915-1511-000](#) [89674-0827](#) [6001-7071-019](#) [6002-7051-003](#) [6002-7551-202](#) [6059674-1](#) [619550-1](#) [630059-000](#) [M39030/3-01N](#) [6500-7071-046](#) [6769](#) [CX050L2AQ](#) [7002-1541-010](#) [7002-1542-011](#) [7004-1512-000](#) [7009-1511-004](#) [7010-1511-000](#) [7029-1511-060](#) [7101-1541-010](#) [7101-1571-002](#) [7105-1521-002](#) [7145-1521-002](#) [7203-1571-003](#) [7209-1511-011](#) [7210-1511-015](#) [7210-1511-019](#) [73137-5015](#) [73216-2241](#) [73404-2300](#) [7405-1521-005](#) [7405-1521-802](#) [8527](#) [8547](#) [FS11V](#) [877931](#) [8808-1511-001](#) [9074-9513-000](#) [9101-9573-002](#) [910A205F](#) [9130-9573-002](#) [PL11SC-026](#) [PL375-33](#) [PL40-5](#) [PL74C-221](#) [PL75MC-217](#) [PL803-7](#) [1200690078](#) [1-201144-1](#) [R107003010W](#) [R110A172100](#)