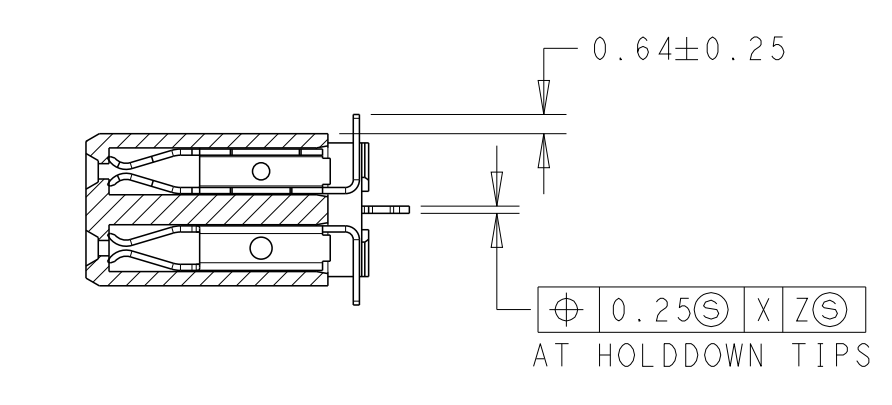
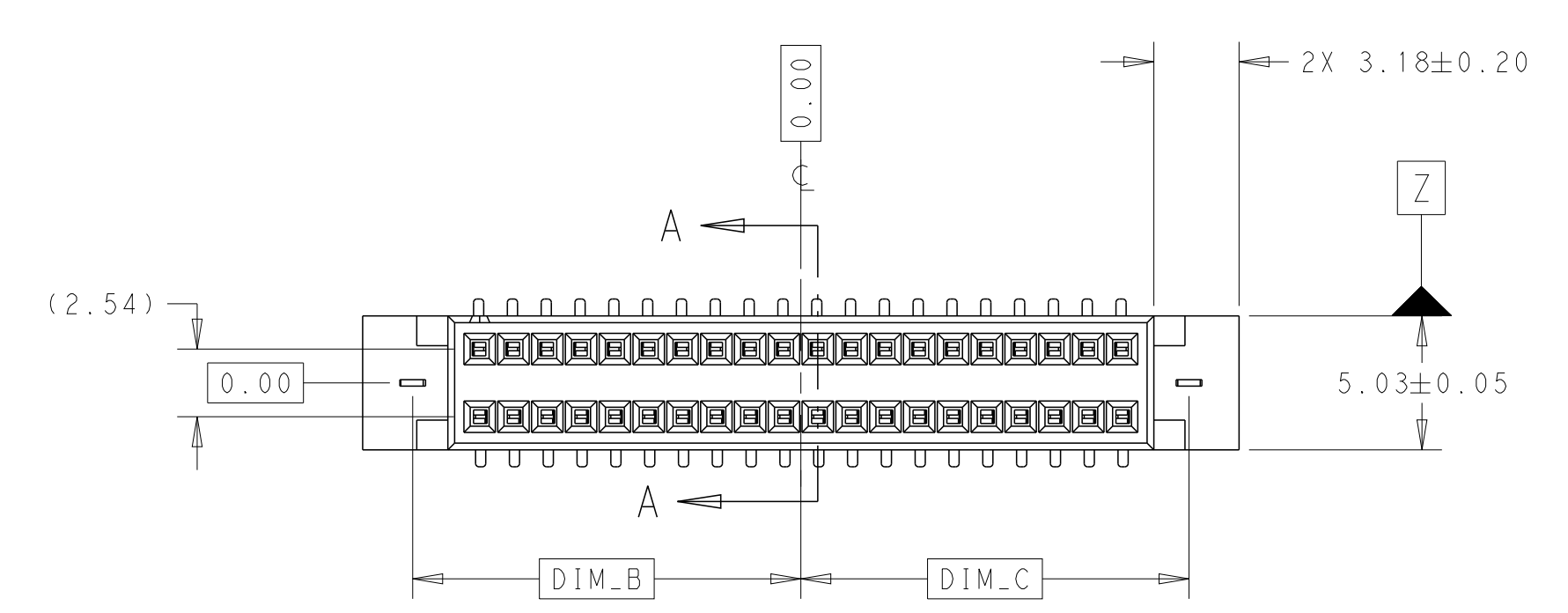
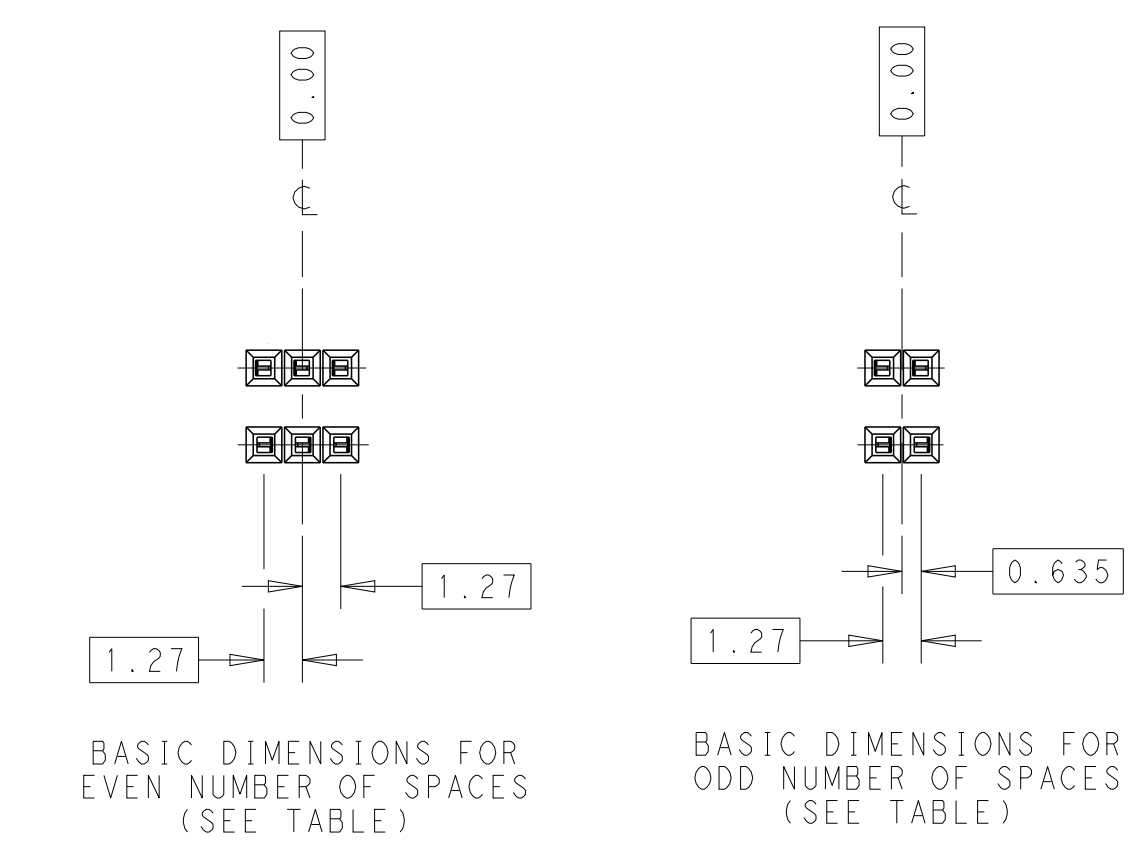
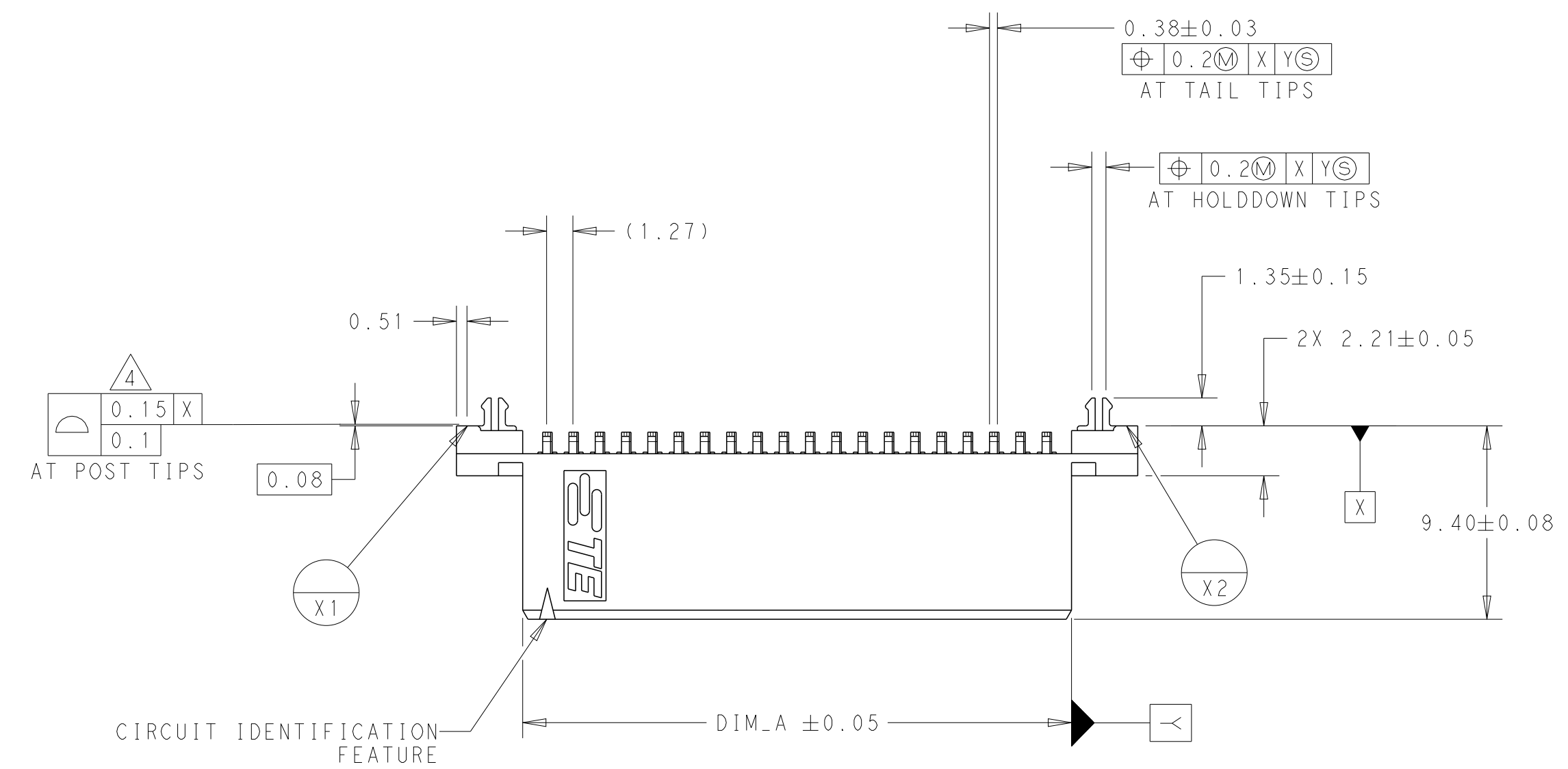
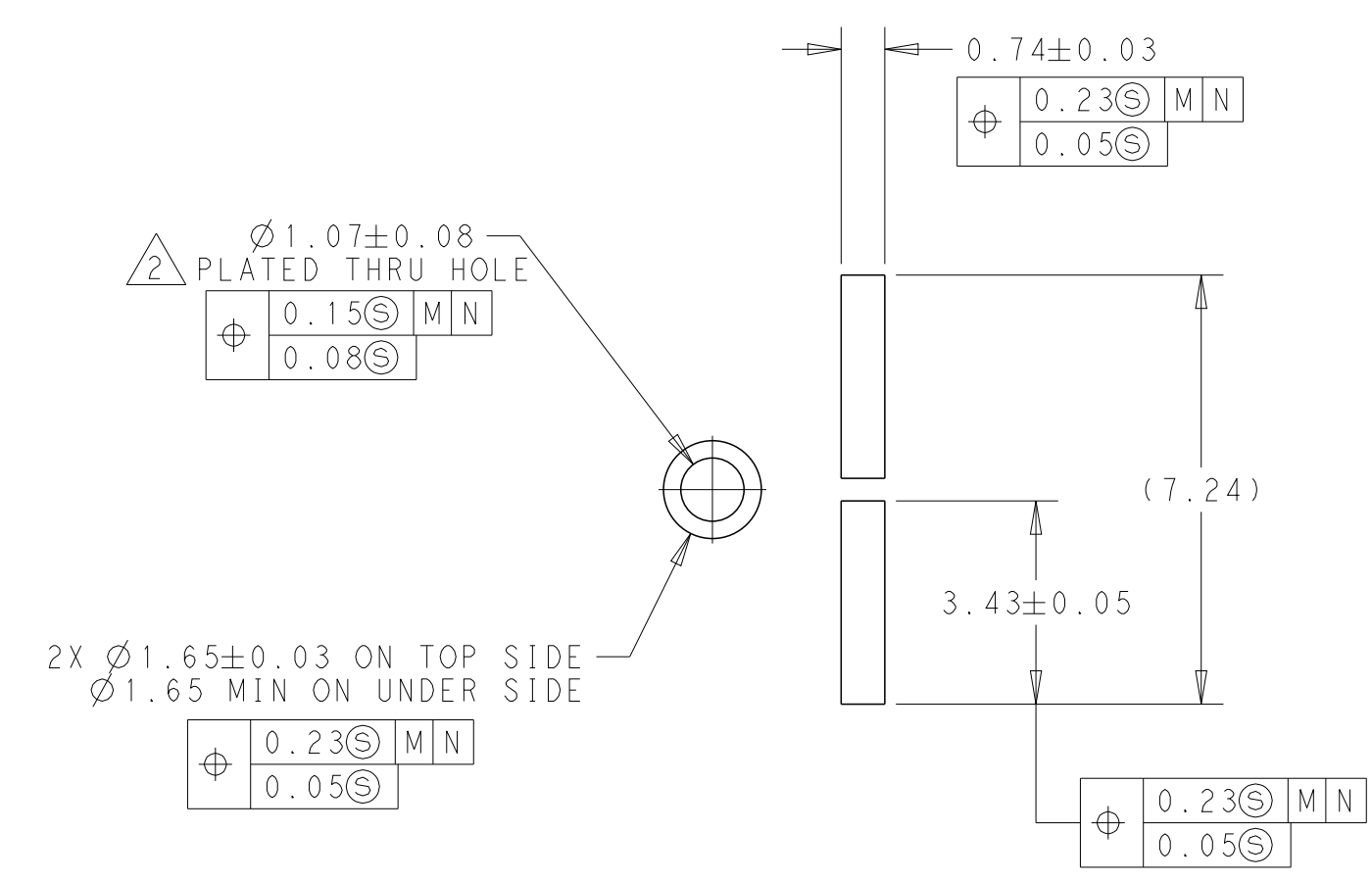
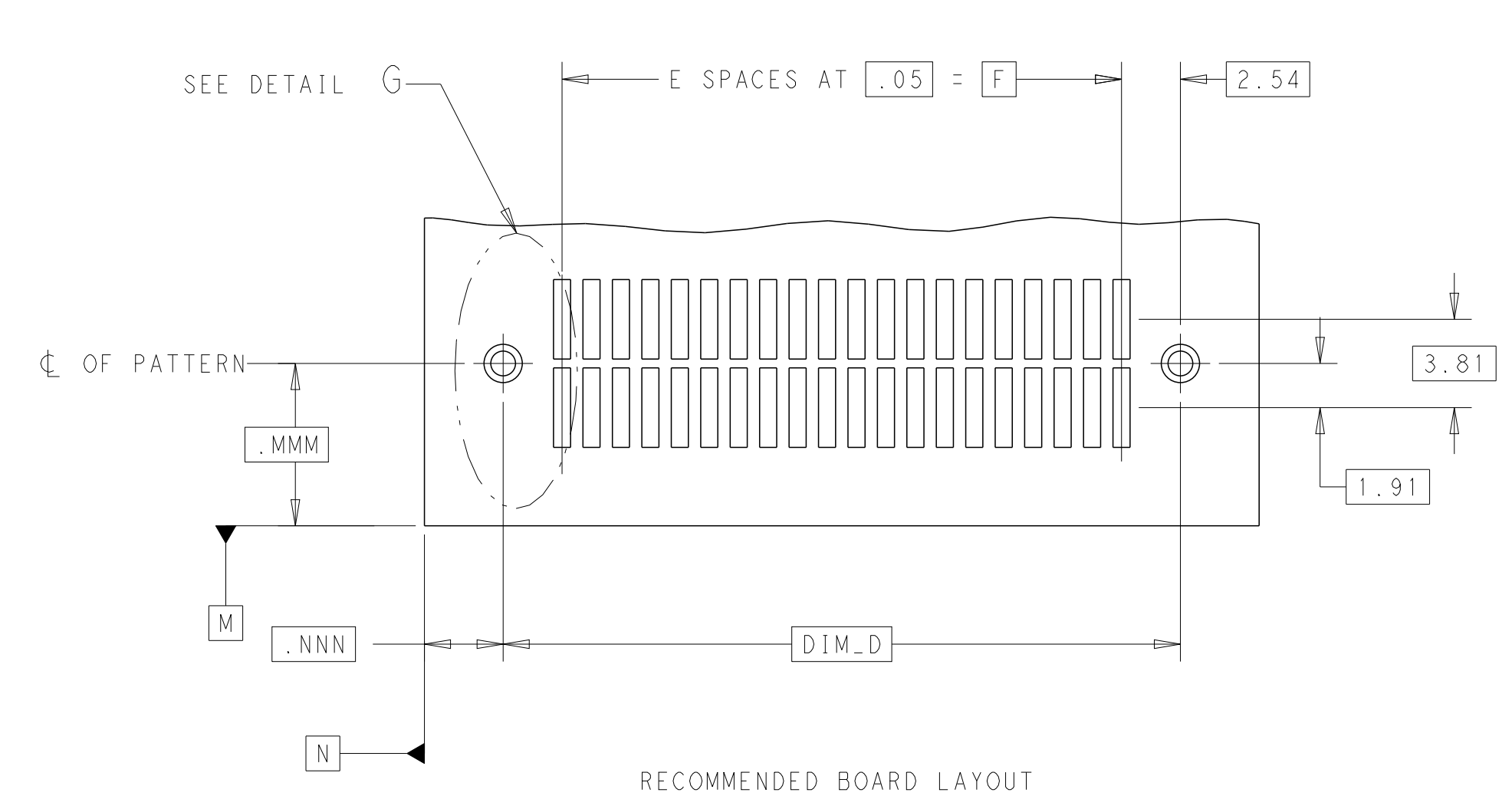


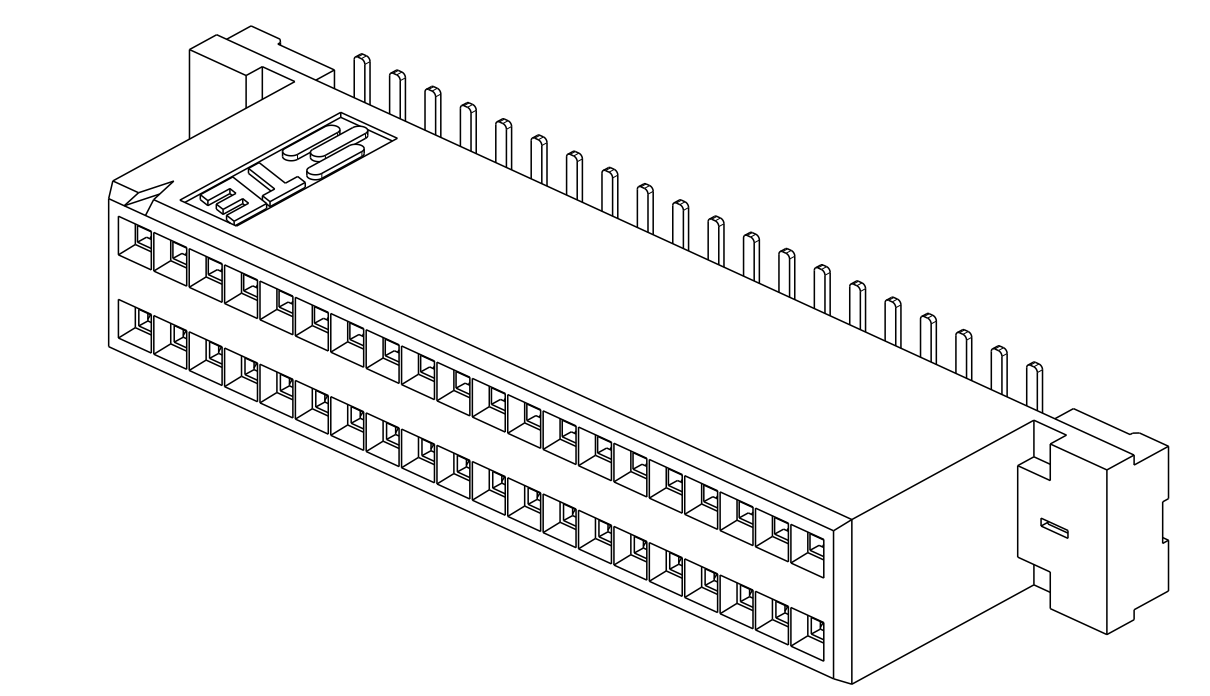
REVISIONS				
P	LTN	DESCRIPTION	DATE	APVD
V		REDRAWN/REVISED PER ECO-17-001757	09NOV2017	GR JO



SECTION A-A



DETAIL G
 SCALE 8:1



SCALE 5:1

THIS DRAWING IS A CONTROLLED DOCUMENT.		DWN: G. RAMESH 08NOV2017	TE Connectivity
DIMENSIONS:		CHK: J. OLSON 08NOV2017	
mm	TOLERANCES UNLESS OTHERWISE SPECIFIED:	APVD: J. OLSON 08NOV2017	NAME: RECEPTACLE ASSEMBLY, VERTICAL, DOUBLE ROW SURFACE MOUNT, AMPMODU System 50
	0 PLC ±.3	PRODUCT SPEC	SIZE: A1
	1 PLC ±0.3	APPLICATION SPEC	CAGE CODE: -
	2 PLC ±.13	WEIGHT: -	DRAWING NO: C=104550
	3 PLC ±.13	CUSTOMER DRAWING	SCALE: 4:1
	4 PLC ±.13	RESTRICTED TO:	SHEET 1 OF 2
	ANGLES ±.5		REV V


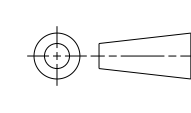
REVISIONS				
P	LTN	DESCRIPTION	DATE	APVD
-		SEE SHEET 1	-	-

- 1 0.76µm GOLD IN LOCALIZED PLATE AREA, 3.81µm TIN-LEAD ON SOLDER TAILS ALL OVER 1.27µm NICKEL.
- 2 USE 1.18 ±0.025 DRILLED HOLE (#56 DRILL) FINISH TO BE TIN-LEAD OVER 0.025 MINIMUM COPPER.
- 3 NOTE DELETED.
- 4 REFER TO NO. OF POSN. IN CHART FOR NUMBER OF SURFACES WHICH ARE COPLANAR.
- 5 NOTE DELETED.
- 6 0.76µm GOLD IN LOCALIZED PLATE AREA, 3.81µm TIN ON SOLDER TAILS ALL OVER 1.27µm NICKEL.
- 7 NOTE DELETED.
- 8 NOTE DELETED.
- 9 FINISH: 0.03µm MIN GOLD ON GOLD PLATED AREA, 3.81µm MATTE IN TIN-LEAD ON TIN PLATED AREA UNDER PLATING: 1.27µm NICKEL ON ENTIRE CONTACT.
- 10 FINISH: 0.03µm MIN GOLD ON GOLD PLATED AREA, 3.81µm MATTE IN TIN ON TIN PLATED AREA UNDER PLATING: 1.27µm NICKEL ON ENTIRE CONTACT.
- 11 MATERIAL: HOUSING:LCP
 COLOR:BLACK
 CONTACT:PHOS BRONZE

10	62.23	49	67.31	33.66	33.66	64.62	100	7-104550-9
	49.53	39	54.61	27.30	27.30	51.92	80	7-104550-8
	36.83	29	41.91	20.96	20.96	39.22	60	7-104550-7
	30.48	24	35.56	17.78	17.78	32.87	50	7-104550-6
	24.13	19	29.21	14.60	14.60	26.52	40	7-104550-5
	17.78	14	22.86	11.43	11.43	20.17	30	7-104550-4
	13.97	44	19.05	9.53	9.53	16.36	24	7-104550-3
	11.43	9	16.51	8.26	8.26	13.82	20	7-104550-2
	5.08	4	10.16	5.08	5.08	7.47	10	7-104550-1
	6	62.23	49	67.31	33.66	33.66	64.62	100
49.53		39	54.61	27.30	27.30	51.92	80	5-104550-8
36.83		29	41.91	20.96	20.96	39.22	60	5-104550-7
30.48		24	35.56	17.78	17.78	32.87	50	5-104550-6
24.13		19	29.21	14.60	14.60	26.52	40	5-104550-5
17.78		14	22.86	11.43	11.43	20.17	30	5-104550-4
13.97		44	19.05	9.53	9.53	16.36	24	5-104550-3
11.43		9	16.51	8.26	8.26	13.82	20	5-104550-2
5.08		4	10.16	5.08	5.08	7.47	10	5-104550-1
FINISH		DIM_F	E SPACES	DIM_D	DIM_C	DIM_B	DIM_A	NO OF POSN

9	62.23	49	67.31	33.66	33.66	64.62	100	2-104550-9
	49.53	39	54.61	27.30	27.30	51.92	80	2-104550-8
	36.83	29	41.91	20.96	20.96	39.22	60	2-104550-7
	30.48	24	35.56	17.78	17.78	32.87	50	2-104550-6
	24.13	19	29.21	14.60	14.60	26.52	40	2-104550-5
	17.78	14	22.86	11.43	11.43	20.17	30	2-104550-4
	13.97	44	19.05	9.53	9.53	16.36	24	2-104550-3
	11.43	9	16.51	8.26	8.26	13.82	20	2-104550-2
	5.08	4	10.16	5.08	5.08	7.47	10	2-104550-1
	1	62.23	49	67.31	33.66	33.66	64.62	100
49.53		39	54.61	27.30	27.30	51.92	80	104550-8
36.83		29	41.91	20.96	20.96	39.22	60	104550-7
30.48		24	35.56	17.78	17.78	32.87	50	104550-6
24.13		19	29.21	14.60	14.60	26.52	40	104550-5
17.78		14	22.86	11.43	11.43	20.17	30	104550-4
13.97		44	19.05	9.53	9.53	16.36	24	104550-3
11.43		9	16.51	8.26	8.26	13.82	20	104550-2
5.08		4	10.16	5.08	5.08	7.47	10	104550-1
FINISH		DIM_F	E SPACES	DIM_D	DIM_C	DIM_B	DIM_A	NO OF POSN

THIS DRAWING IS A CONTROLLED DOCUMENT.

DIMENSIONS:	TOLERANCES UNLESS OTHERWISE SPECIFIED:	DWN G. RAMESH 08NOV2017	 TE Connectivity
mm	0 PLC ±	CHK J. OLSON 08NOV2017	
 1 PLC ±0.3 2 PLC ±0.13 3 PLC ± 4 PLC ± ANGLES ±0.5 FINISH		APVD J. OLSON 08NOV2017	
MATERIAL		NAME RECEPTACLE ASSEMBLY, VERTICAL, DOUBLE ROW SURFACE MOUNT, AMPMODU System 50	
		PRODUCT SPEC	
		APPLICATION SPEC	
		WEIGHT	RESTRICTED TO
		CUSTOMER DRAWING	SIZE A1 CAGE CODE - DRAWING NO. C=104550
			SCALE 5:1 SHEET 2 OF 2 REV V

X-ON Electronics

Largest Supplier of Electrical and Electronic Components

Click to view similar products for [Board to Board & Mezzanine Connectors](#) category:

Click to view products by [TE Connectivity](#) manufacturer:

Other Similar products are found below :

[10135583-642402LF](#) [89885-310LF](#) [589158040000018](#) [6-1393048-0](#) [68683-613](#) [MDF7-12DP-2.54DSA](#) [MDF7-18P-2.54DSA\(01\)](#) [MDF7-20DP-2.54DSA](#) [MDF7-26D-2.54DSA\(55\)](#) [MDF7-3P-2.54DSA\(01\)](#) [MDF7B-20P-2.54DSA\(01\)](#) [MDF7B-3P-2.54DSA\(55\)](#) [MDF7C-18P-2.54DSA\(55\)](#) [MDF7P-5P-2.54DSA\(55\)](#) [75234-0516](#) [FCN-230C068-11](#) [FCN-268F012-G/BD](#) [FCN-268F036-G/BD](#) [FCN-268M012-G/0D](#) [FCN-268M024-G/1D](#) [FCN-360C008-C](#) [FCN-723J004/1](#) [MIS-048-01-F-D-DP-K](#) [832-10-034-10-001000](#) [93696-325LF](#) [11828-1FA](#) [AXK630345P](#) [18097-0013](#) [2007042-2](#) [304400-2](#) [FCN-214Q030-G/0](#) [FCN-215Q040-G/0](#) [FCN-230C068-ESA](#) [FCN-234P048-G/0](#) [FCN-235D050-G/C](#) [FCN-360A3](#) [FCN-360C040-B](#) [210-93-314-41-105000](#) [2-22603-0](#) [379-064-521-202](#) [MDF7-12P-2.54DSA\(01\)](#) [MDF7-16P-2.54DS\(56\)](#) [MDF7-16P-2.54DSA\(55\)](#) [MDF7-40DP-2.54DSA\(55\)](#) [MDF7-8P-2.54DSA\(55\)](#) [AXG720047](#) [5031084030](#) [55323-1519](#) [DF33-2P-3.3DSA\(24\)](#) [DF33-2S-3.3C](#)