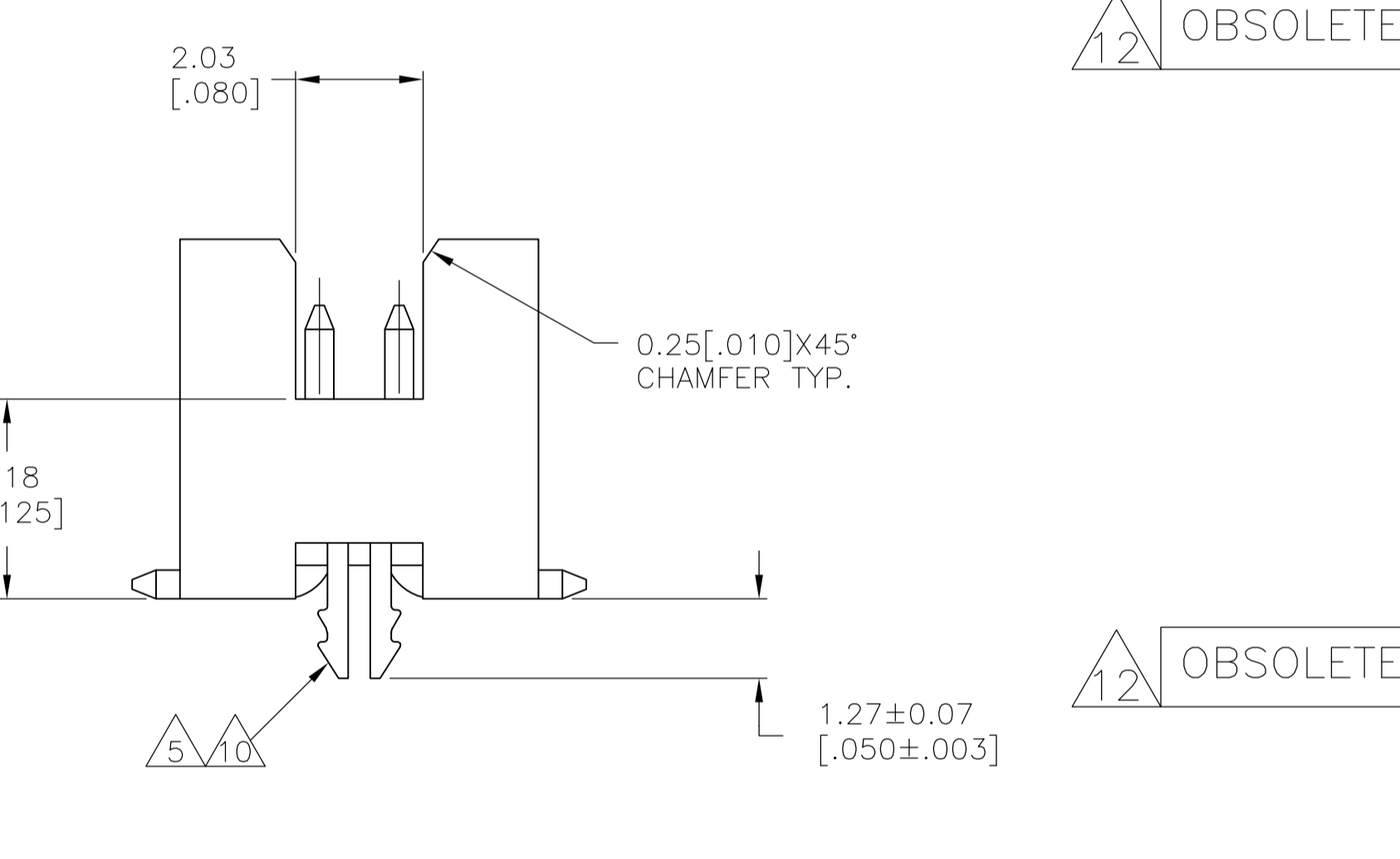
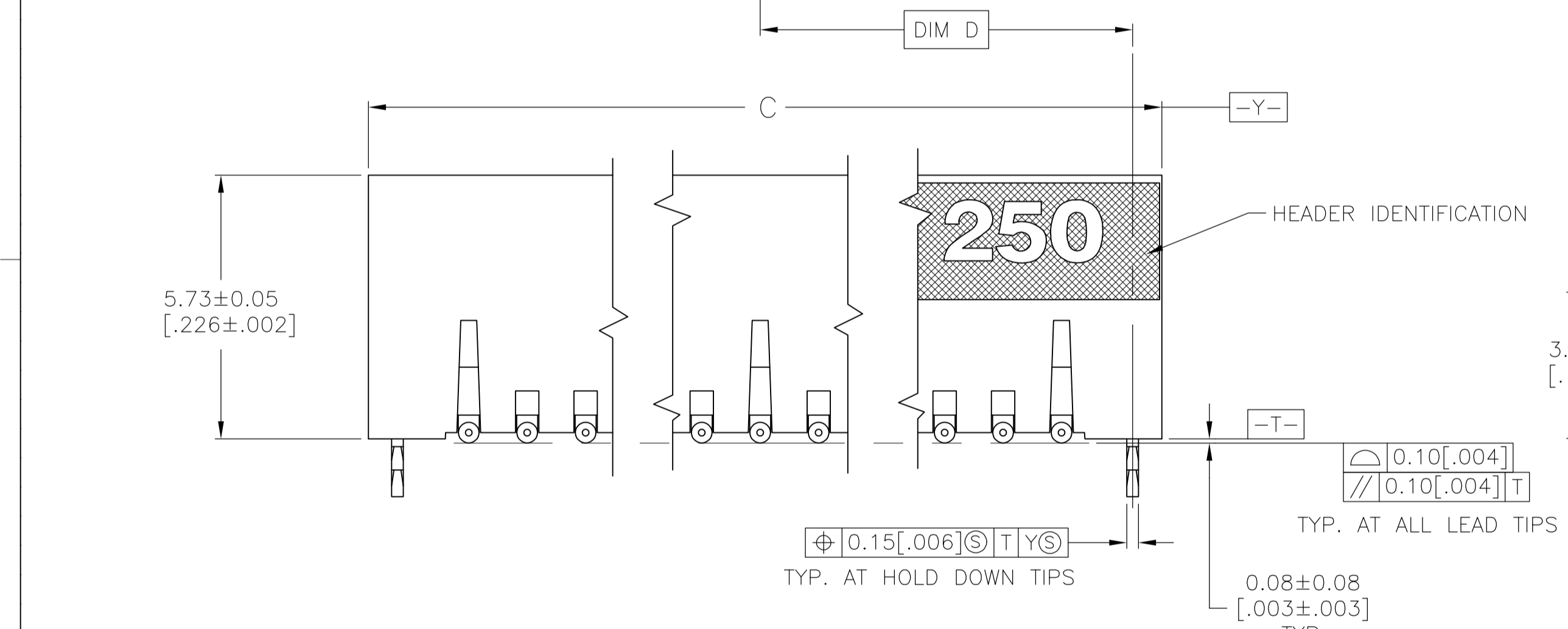
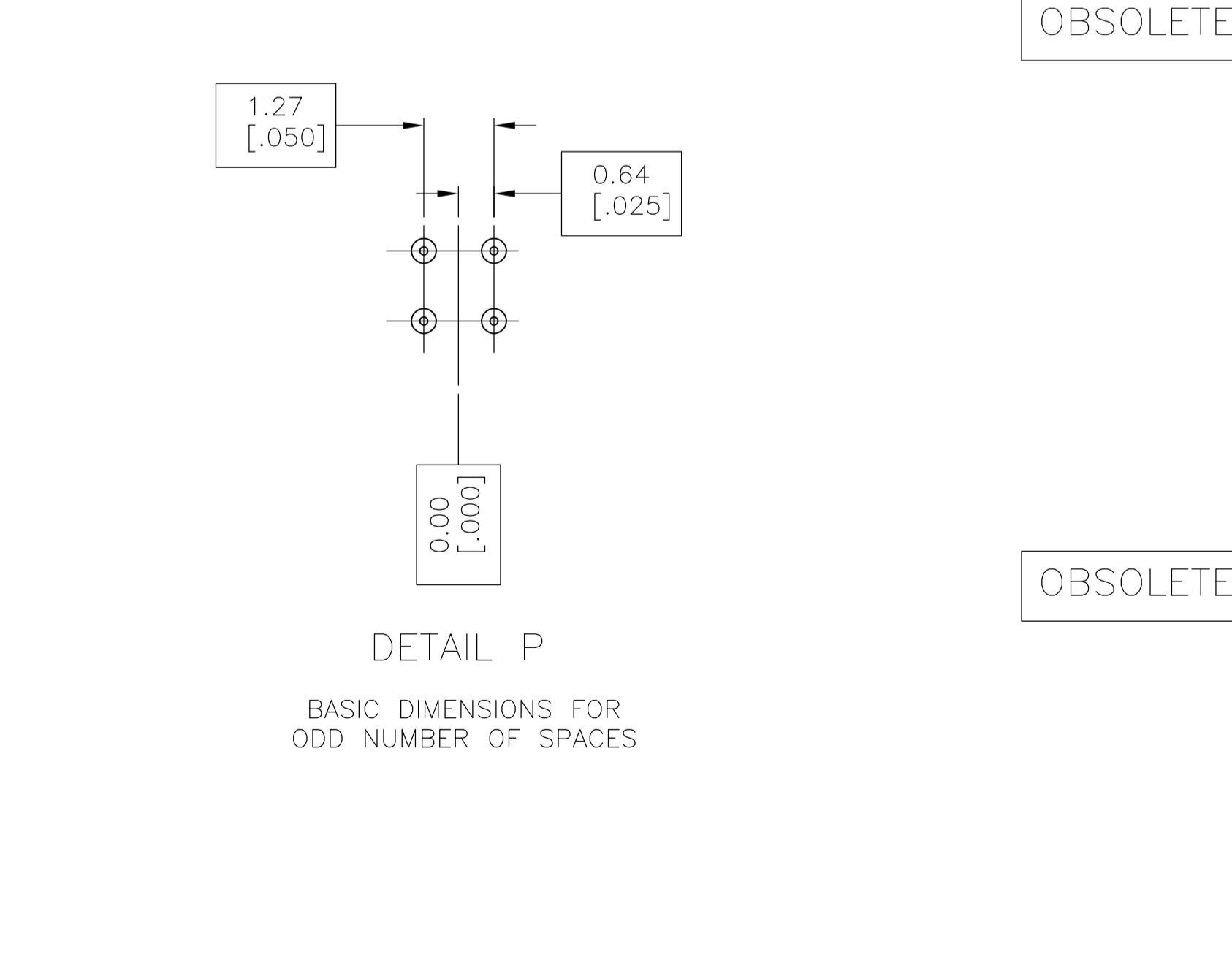
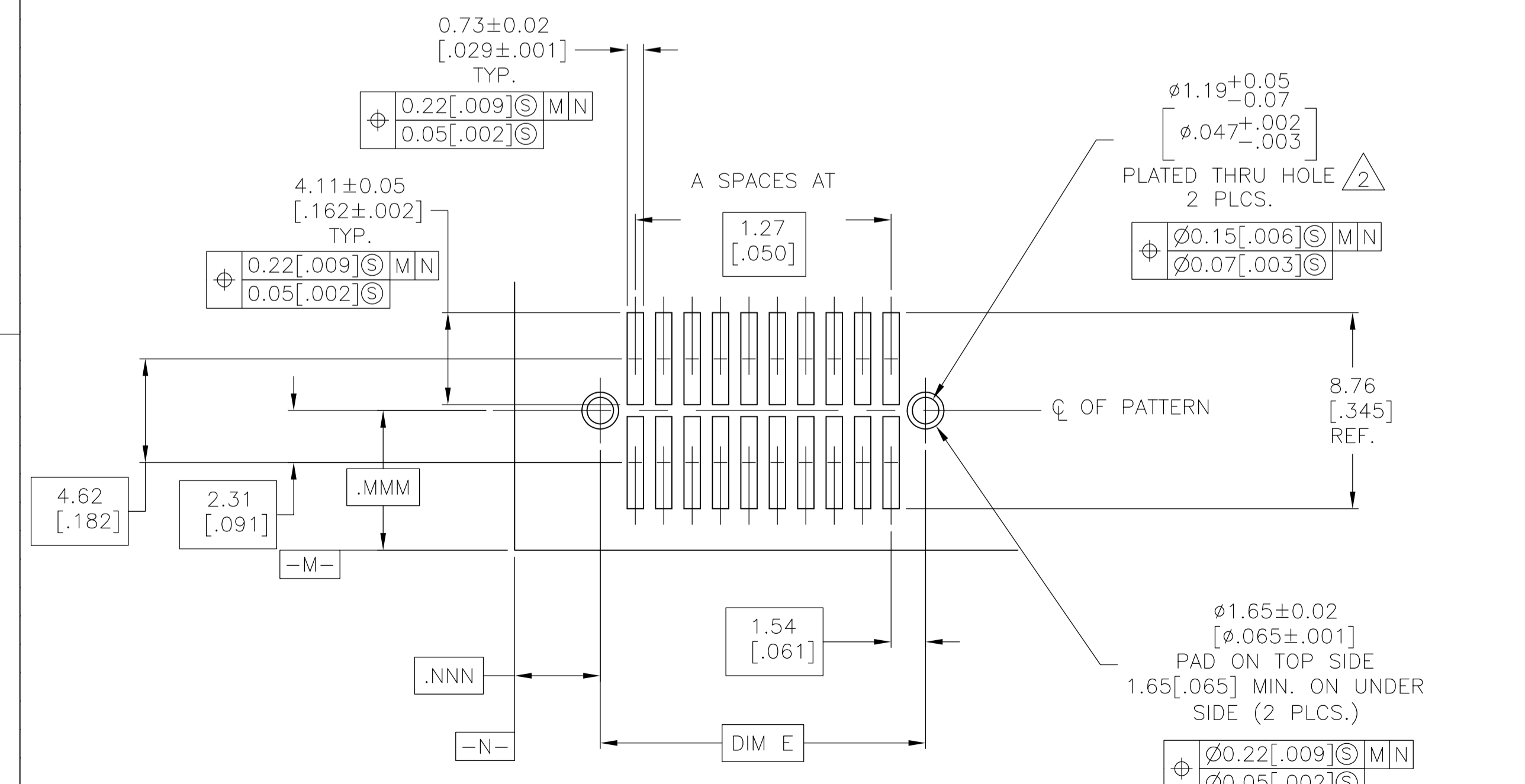


- 1 0.00076[.000030] GOLD AT POINT OF MEASUREMENT, 0.00051[.000020] MIN AT THE END POINTS OF AREA G, (LOCALIZED GOLD PLATE AREA), 0.0038[.000150] TIN-LEAD ON LOCALIZED TIN PLATED AREA, ALL OVER 0.0013[.000050] NICKEL
- 2 USE 1.32±0.02 [.052±.001] DRILLED HOLE (#55 DRILL). FINISH TO BE TIN OVER 0.02 [.001] MIN COPPER.
- 3 DIMENSION APPLIES AT BASE OF SHROUD.
- 4 THE NOTED DIMENSIONS APPLY AT THE MATING FACE OF THE HOUSING.
- 5 0.0038 [.000150] TIN-LEAD ON HOLD DOWN, ALL OVER 0.0013 [.000050] NICKEL.
- 6 IF PLANNING TO USE MORE THAN ONE MATING PAIR OF CONNECTORS TO INTERCONNECT 2 BOARDS, PLEASE REFER TO THE SPACING PARAGRAPH IN APPLICATION SPEC, #114-7010
- 7 POINT OF MEASUREMENT
- 8 DIMENSIONS NOTED APPLY FROM THE BASIC DIMENSION LINE (NOT THE CIRCUIT CAVITY CENTER LINE) TO THE SURFACE INDICATED.
- 9 0.00076[.000030] GOLD AT POINT OF MEASUREMENT, 0.00051[.000020] MIN AT THE END POINTS OF AREA G, (LOCALIZED GOLD PLATE AREA), 0.0038[.000150] TIN ON LOCALIZED TIN PLATED AREA, ALL OVER 0.0013[.000050] NICKEL.
- 10 0.0035[.000150] TIN ON HOLDDOWN, ALL OVER 0.0013[.000050] NICKEL
- 11 ROHS 2002/95/EC COMPLIANT.
- 12 OBSOLETE PARTS: OBSOLETE CIS STREAMLINING PER D.RENAUD/D.SINISI



| | | | | | | | | |
|--------|---------------|---------------|---------------|---------------|----|---------------------|----|-------------|
| 9/10 | 65.33 [2.572] | 32.66 [1.286] | 66.59 [2.622] | 64.05 [2.522] | 49 | 100 | 11 | 6-104655-1 |
| 9/10 | 58.97 [2.322] | 29.48 [1.161] | 60.24 [2.372] | 57.70 [2.272] | 44 | 90 | 11 | 6-104655-0 |
| 9/10 | 52.63 [2.072] | 26.31 [1.036] | 53.89 [2.122] | 51.35 [2.022] | 39 | 80 | 11 | 5-104655-9 |
| 9/10 | 46.28 [1.822] | 23.13 [0.911] | 47.54 [1.872] | 45.00 [1.772] | 34 | 70 | 11 | 5-104655-8 |
| 9/10 | 39.93 [1.572] | 19.96 [0.786] | 41.19 [1.622] | 38.65 [1.522] | 29 | 60 | 11 | 5-104655-7 |
| 9/10 | 33.58 [1.322] | 16.78 [0.661] | 34.84 [1.372] | 32.30 [1.272] | 24 | 50 | 11 | 5-104655-6 |
| 9/10 | 27.23 [1.072] | 13.61 [0.536] | 28.49 [1.122] | 25.95 [1.022] | 19 | 40 | 11 | 5-104655-5 |
| 9/10 | 20.88 [0.822] | 10.43 [0.411] | 22.14 [0.872] | 19.60 [0.772] | 14 | 30 | 11 | 5-104655-4 |
| 9/10 | 14.53 [0.572] | 7.26 [0.286] | 15.79 [0.622] | 13.25 [0.522] | 9 | 20 | 11 | 5-104655-3 |
| 9/10 | 11.98 [0.472] | 5.99 [0.236] | 13.25 [0.522] | 10.72 [0.422] | 7 | 16 | 11 | 5-104655-2 |
| 9/10 | 8.18 [0.322] | 4.08 [0.161] | 9.44 [0.372] | 6.90 [0.272] | 4 | 10 | 11 | 5-104655-1 |
| 1/5 | 65.33 [2.572] | 32.66 [1.286] | 66.59 [2.622] | 64.05 [2.522] | 49 | 100 | 11 | 1-104655-1 |
| 1/5 | 58.97 [2.322] | 29.48 [1.161] | 60.24 [2.372] | 57.70 [2.272] | 44 | 90 | 11 | 1-104655-0 |
| 1/5 | 52.63 [2.072] | 26.31 [1.036] | 53.89 [2.122] | 51.35 [2.022] | 39 | 80 | 11 | 104655-9 |
| 1/5 | 46.28 [1.822] | 23.13 [0.911] | 47.54 [1.872] | 45.00 [1.772] | 34 | 70 | 11 | 104655-8 |
| 1/5 | 39.93 [1.572] | 19.96 [0.786] | 41.19 [1.622] | 38.65 [1.522] | 29 | 60 | 11 | 104655-7 |
| 1/5 | 33.58 [1.322] | 16.78 [0.661] | 34.84 [1.372] | 32.30 [1.272] | 24 | 50 | 11 | 104655-6 |
| 1/5 | 27.23 [1.072] | 13.61 [0.536] | 28.49 [1.122] | 25.95 [1.022] | 19 | 40 | 11 | 104655-5 |
| 1/5 | 20.88 [0.822] | 10.43 [0.411] | 22.14 [0.872] | 19.60 [0.772] | 14 | 30 | 11 | 104655-4 |
| 1/5 | 14.53 [0.572] | 7.26 [0.286] | 15.79 [0.622] | 13.25 [0.522] | 9 | 20 | 11 | 104655-3 |
| 1/5 | 11.98 [0.472] | 5.99 [0.236] | 13.25 [0.522] | 10.72 [0.422] | 7 | 16 | 11 | 104655-2 |
| 1/5 | 8.18 [0.322] | 4.08 [0.161] | 9.44 [0.372] | 6.90 [0.272] | 4 | 10 | 11 | 104655-1 |
| FINISH | E | D | C | B | A | NUMBER OF POSITIONS | | PART NUMBER |



RECOMMENDED BOARD LAYOUT
 SCALE-5:1

DETAIL P
 BASIC DIMENSIONS FOR ODD NUMBER OF SPACES

THIS DRAWING IS A CONTROLLED DOCUMENT.

| | | | |
|---|--|-------------------|-------------------|
| DIMENSIONS: mm [INCHES] | TOLERANCES UNLESS OTHERWISE SPECIFIED: | DATE: 08/07/91 | BY: KATE HELM |
| 0 PLC ± | ± | 8/12/91 | CHK: D. GORENC |
| 1 PLC ± | ± 0.13[.005] | | APPD: D. FORKER |
| 2 PLC ± | ± | | NAME: |
| 3 PLC ± | ± | | PRODUCT SPEC: |
| 4 PLC ± | ± | | 108-1332 |
| ANGLES: ± 0°30' | | | APPLICATION SPEC: |
| | | | 114-7010 |
| MATERIAL: HOUSING: LCP, COLOR-BLACK; POST: PHOS BRONZE; HOLD: W/ING: COPPER ALLOY | FINISH: SEE TABLE | WEIGHT: - | SIZE: A1 |
| | | CUSTOMER DRAWING | SCALE: 10:1 |
| | | DRAWING NO: 00779 | SHEET: 1 of 1 |
| | | REV: 13 | REV: 13 |

STE TE Connectivity
 HEADER ASSEMBLY, SURFACE MOUNT, AMPMODU 50/50 GRID (6.35[.250] MATED HEIGHT)

X-ON Electronics

Largest Supplier of Electrical and Electronic Components

Click to view similar products for [Headers & Wire Housings](#) category:

Click to view products by [TE Connectivity](#) manufacturer:

Other Similar products are found below :

[892-18-020-10-001101](#) [58102-G61-06LF](#) [582553-1](#) [0009485154](#) [009176003701906](#) [0050291907](#) [LY20-4P-DT1-P1E-BR](#) [02.125.8002.8](#)
[609-3404](#) [61062-3](#) [61082-181009](#) [622-3653LF](#) [63453-116](#) [636-1030](#) [636-1427](#) [636-3427](#) [636-4007](#) [641938-9](#) [641991-4](#) [644827-2](#) [65817-](#)
[010LF](#) [65817-015LF](#) [65863-015LF](#) [66207-023LF](#) [67095-007LF](#) [67601157](#) [68645-018](#) [68648-049](#) [70.362.1628.0](#) [70-4210](#) [70-4226B](#) [70-](#)
[4853B](#) [707-5020](#) [707-5028](#) [71.350.2428.0](#) [71918-208LF](#) [71961-016LF](#) [733-134](#) [733-162](#) [754199-000](#) [760-3052](#) [787-8014-00](#) [79531-3000](#)
[FCN-360C032-B](#) [FCN-367T-T012/H](#) [FCN-723D010/2](#) [80.063.4001.1](#) [800-90-001-10-001000](#) [800-90-010-10-002000](#) [801-43-002-10-013000](#)