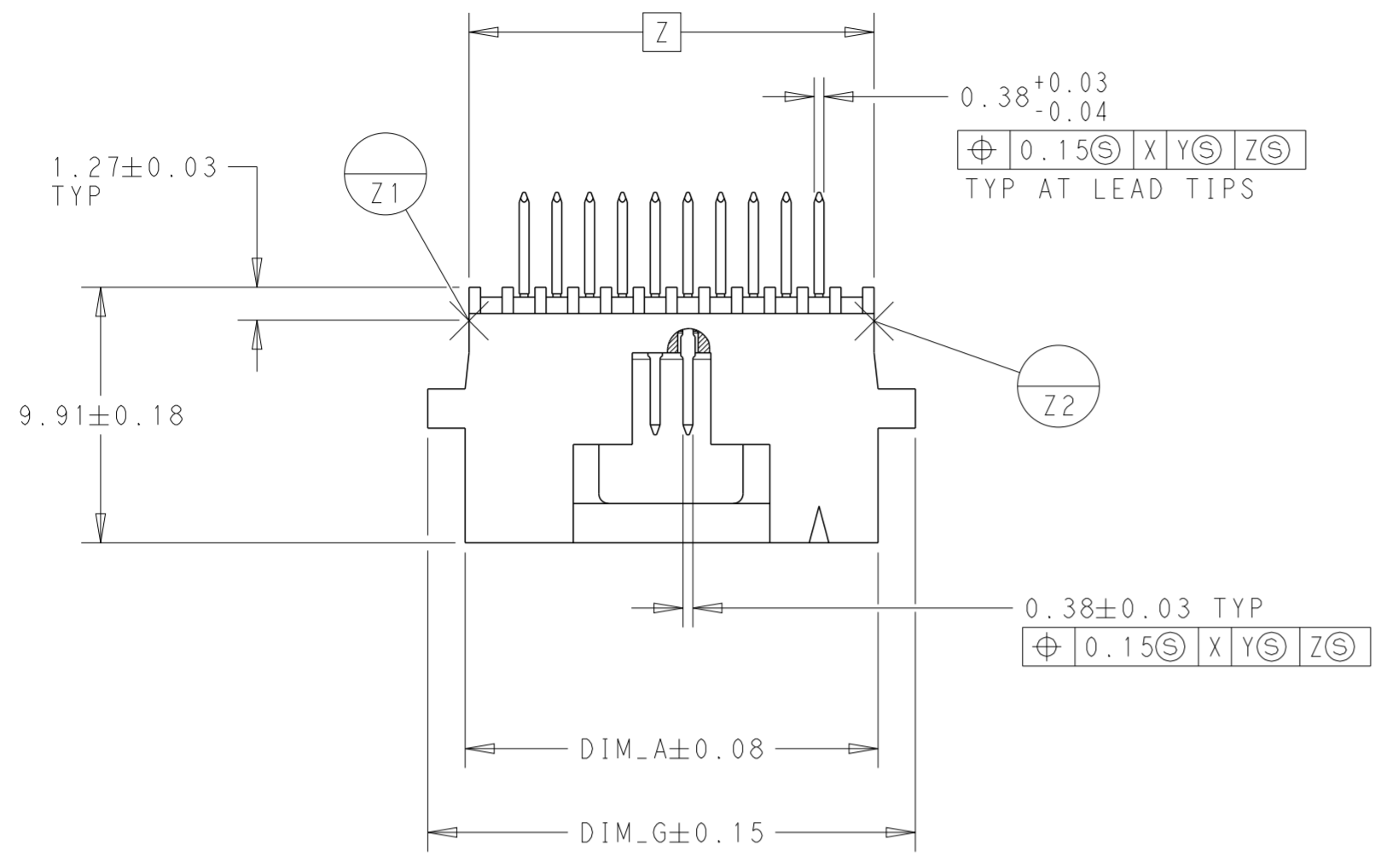
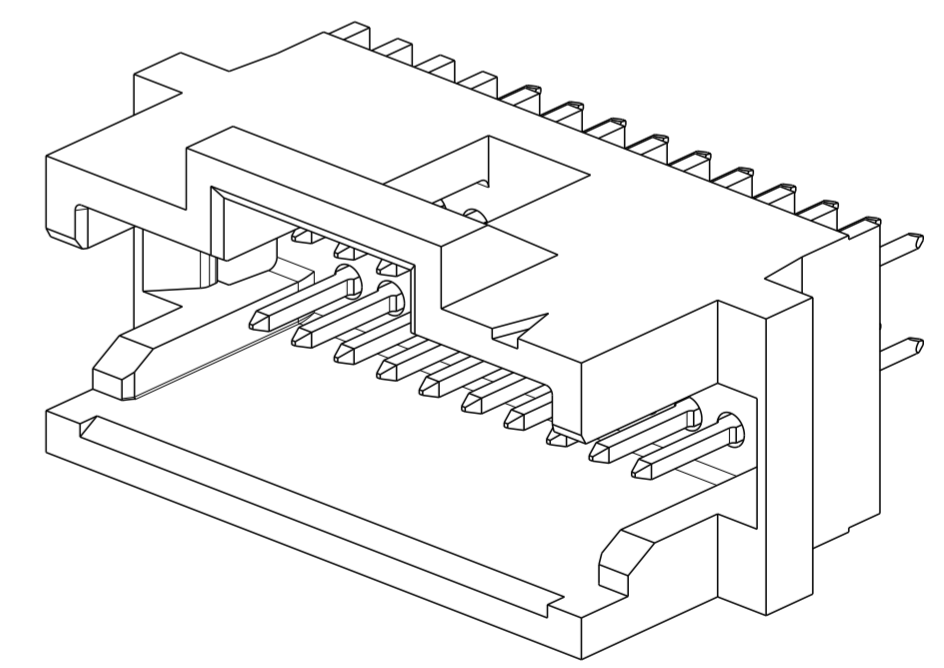
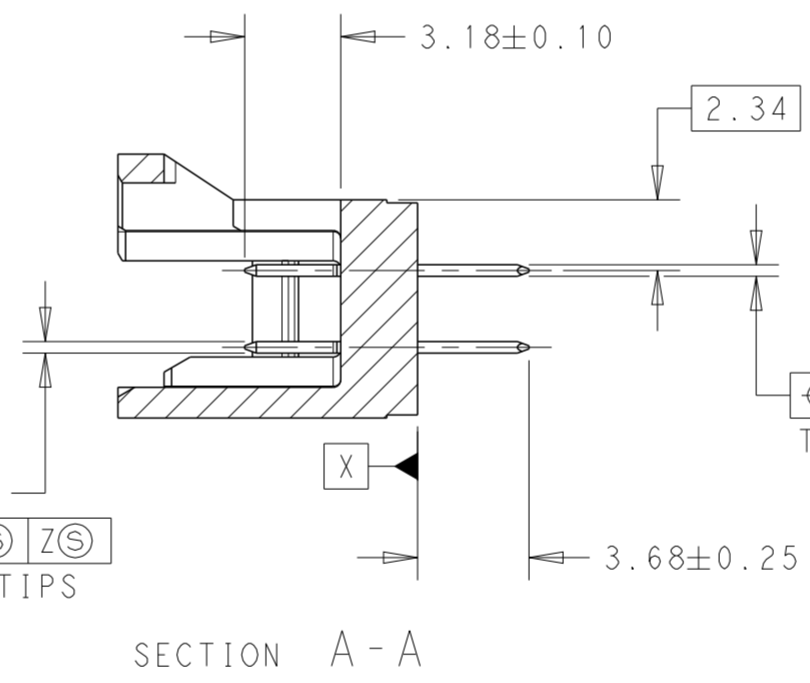
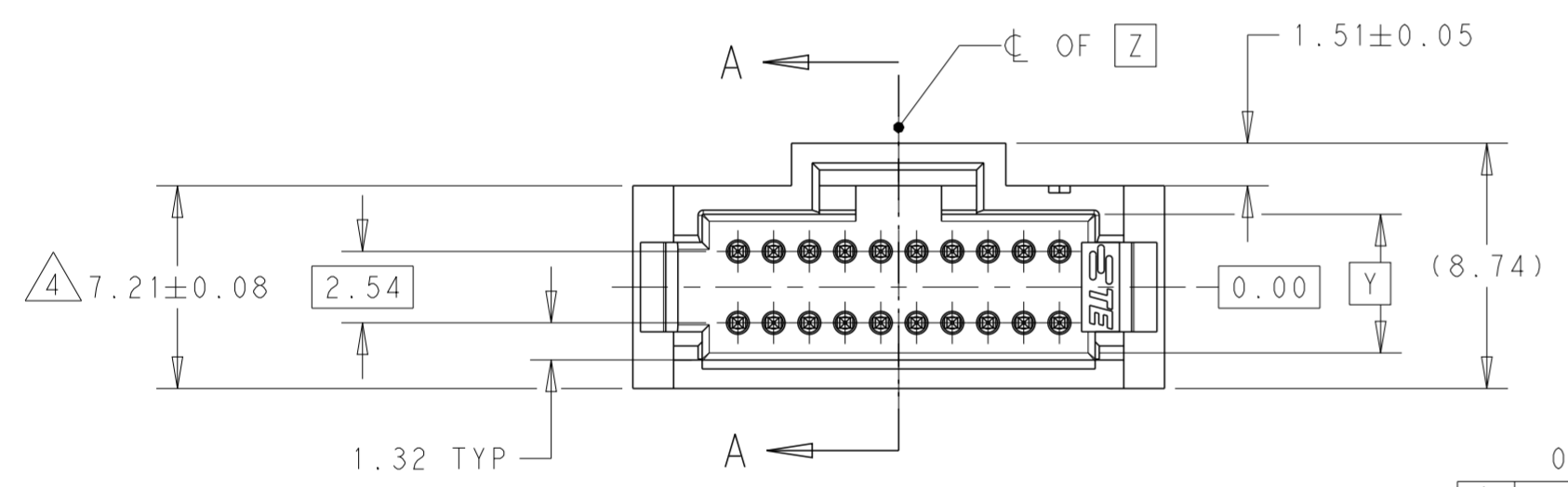


THIS DRAWING IS UNPUBLISHED. RELEASED FOR PUBLICATION 20  
 © COPYRIGHT 20 BY - ALL RIGHTS RESERVED.

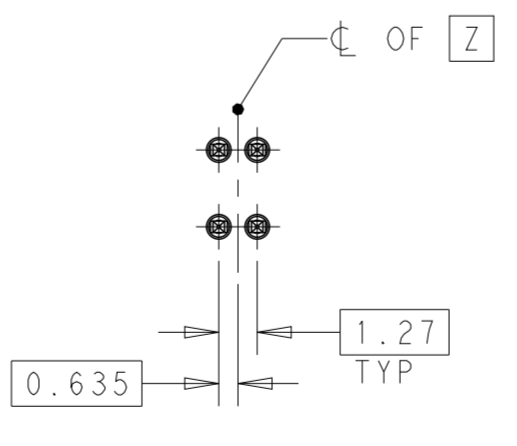
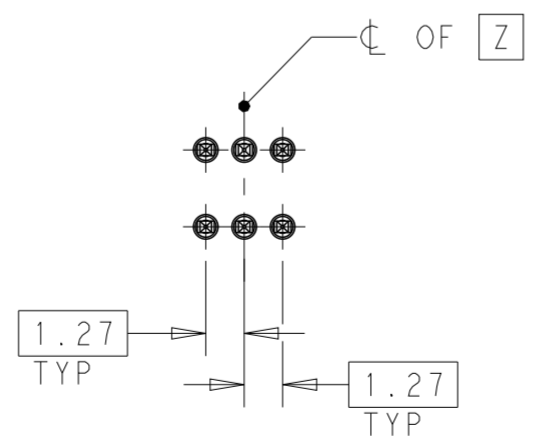
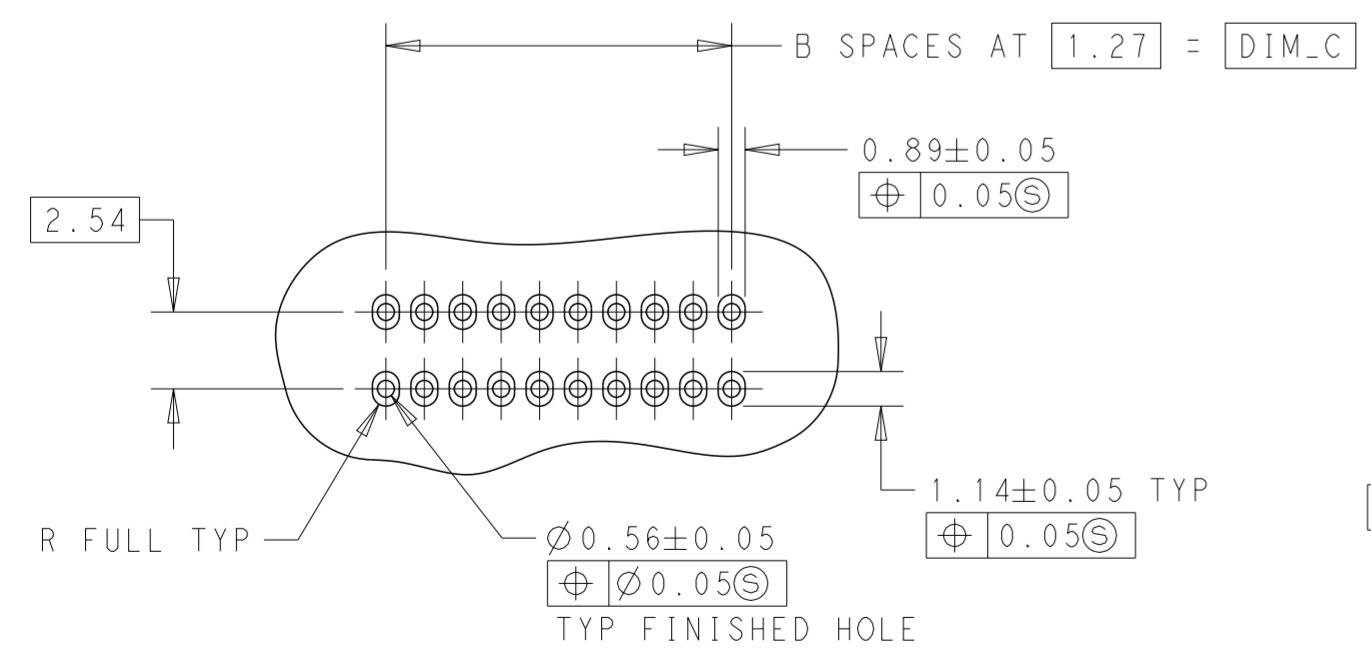
| REVISIONS |     |                                   |           |     |      |
|-----------|-----|-----------------------------------|-----------|-----|------|
| P         | LTR | DESCRIPTION                       | DATE      | DWN | APVD |
|           | AC  | REDRAWN/REVISED PER ECO-17-001755 | 22NOV2017 | GR  | JO   |
|           |     |                                   |           |     |      |
|           |     |                                   |           |     |      |



- 1 CONTACT AREA PLATED WITH  $0.76 \mu\text{m}$  MIN GOLD; SOLDER LEADS PLATED WITH  $3.81 \mu\text{m}$  MIN TIN-LEAD, ALL OVER  $1.27 \mu\text{m}$  MIN NICKEL
- 2 NOTE DELETED.
- 3 DIMENSION APPLIES AT BASE OF SHROUD.
- 4 THE NOTED DIMENSIONS APPLY AT THE INTERSECTION OF THE POST AND HOUSING
- 5 NOTE DELETED.
- 6 HOUSING: LCP, COLOR-BLACK. POSTS: COPPER ALLOY.
- 7 CONTACT AREA PLATED WITH  $0.76 \mu\text{m}$  MIN GOLD, SOLDER LEADS PLATED WITH  $3.81 \mu\text{m}$  MIN TIN, ALL OVER  $1.27 \mu\text{m}$  MIN NICKEL.
- 8 NOTE DELETED.
- 9 ROHS 2002/95/EC COMPLIANT.
- 10 FINISH:  $0.03 \mu\text{m}$  MIN. GOLD ON GOLD PLATED AREA,  $3.81 \mu\text{m}$  MATTE TIN LEAD ON TIN PLATE AREA, UNDER PLATING SHOULD BE  $1.27 \mu\text{m}$  NICKEL ON ENTIRE CONTACT, GOLD AND TIN PLATING MAY NOT OVERLAP
- 11 FINISH:  $0.03 \mu\text{m}$  MIN. GOLD ON GOLD PLATED AREA,  $3.81 \mu\text{m}$  MATTE TIN ON TIN PLATE AREA, UNDERPLATING TO BE  $1.27 \mu\text{m}$  NICKEL ON ENTIRE CONTACT, GOLD AND TIN PLATING MAY NOT OVERLAP
- 12 NOTE DELETED.



SCALE 6:1



|  |  |                               |  |              |
|--|--|-------------------------------|--|--------------|
| THIS DRAWING IS A CONTROLLED DOCUMENT. |  | DWN<br>G. RAMESH<br>22NOV2017 | TE Connectivity  |              |
| DIMENSIONS:<br>mm                      |  | CHK<br>J. OLSON<br>22NOV2017  |  |              |
| TOLERANCES UNLESS OTHERWISE SPECIFIED: |  | APVD<br>J. OLSON<br>22NOV2017 | NAME   |              |
| 0 PLC $\pm$                            |  | PRODUCT SPEC                  | HEADER ASSEMBLY, VERTICAL, DOUBLE ROW, W/SIDE & END LATCHES, AMPMODU System 50 |              |
| 1 PLC $\pm 0.3$                        |  | APPLICATION SPEC              | -  |              |
| 2 PLC $\pm 0.13$                       |  | 114-25031                     | SIZE   | CAGE CODE    |
| 3 PLC $\pm$                            |  | WEIGHT                        | A200779  | C-104666     |
| 4 PLC $\pm$                            |  | CUSTOMER DRAWING              | SCALE 4:1  | SHEET 1 OF 2 |
| ANGLES $\pm 0.5^\circ$                 |  |                               |  | REV AC       |
| FINISH                                 |  |                               |  |              |
| SEE TABLE                              |  |                               |  |              |

THIS DRAWING IS UNPUBLISHED. RELEASED FOR PUBLICATION 20  
 © COPYRIGHT 20 BY - ALL RIGHTS RESERVED.

| REVISIONS |     |             |      |     |      |
|-----------|-----|-------------|------|-----|------|
| P         | LTR | DESCRIPTION | DATE | DWN | APVD |
| -         |     | SEE SHEET 1 | -    | -   | -    |
|           |     |             |      |     |      |
|           |     |             |      |     |      |
|           |     |             |      |     |      |

|        |       |       |          |       |            |             |
|--------|-------|-------|----------|-------|------------|-------------|
| 11     | 27.79 | 20.32 | 15       | 24.89 | 34         | 8-104666-3  |
|        | 12.55 | 5.08  | 4        | 9.65  | 10         | 8-104666-2  |
|        | 22.71 | 15.24 | 12       | 19.81 | 26         | 8-104666-1  |
|        | 21.44 | 13.97 | 11       | 18.54 | 24         | 8-104666-0  |
|        | 16.36 | 8.89  | 7        | 13.46 | 16         | 7-104666-9  |
|        | 49.38 | 46.99 | 33       | 46.48 | 68         | 7-104666-8  |
|        | 44.30 | 36.83 | 29       | 41.40 | 60         | 7-104666-7  |
|        | 69.70 | 62.23 | 49       | 66.80 | 100        | 7-104666-6  |
|        | 57.00 | 49.53 | 39       | 54.10 | 80         | 7-104666-5  |
|        | 37.95 | 30.48 | 24       | 35.05 | 50         | 7-104666-4  |
|        | 31.60 | 24.13 | 19       | 28.70 | 40         | 7-104666-3  |
|        | 25.25 | 17.78 | 14       | 22.35 | 30         | 7-104666-2  |
|        | 18.90 | 11.43 | 9        | 16.00 | 20         | 7-104666-1  |
|        | 27.79 | 20.32 | 15       | 24.89 | 34         | 6-104666-3  |
| 12.55  | 5.08  | 4     | 9.65     | 10    | 6-104666-2 |             |
| 22.71  | 15.24 | 12    | 19.81    | 26    | 6-104666-1 |             |
| 21.44  | 13.97 | 11    | 18.54    | 24    | 6-104666-0 |             |
| 16.36  | 8.89  | 7     | 13.46    | 16    | 5-104666-9 |             |
| 49.38  | 46.99 | 33    | 46.48    | 68    | 5-104666-8 |             |
| 44.30  | 36.83 | 29    | 41.40    | 60    | 5-104666-7 |             |
| 69.70  | 62.23 | 49    | 66.80    | 100   | 5-104666-6 |             |
| 57.00  | 49.53 | 39    | 54.10    | 80    | 5-104666-5 |             |
| 37.95  | 30.48 | 24    | 35.05    | 50    | 5-104666-4 |             |
| 31.60  | 24.13 | 19    | 28.70    | 40    | 5-104666-3 |             |
| 25.25  | 17.78 | 14    | 22.35    | 30    | 5-104666-2 |             |
| 18.90  | 11.43 | 9     | 16.00    | 20    | 5-104666-1 |             |
| FINISH | DIM_G | DIM_C | B SPACES | DIM_A | NO OF POSN | PART NUMBER |

|        |       |       |          |       |            |             |
|--------|-------|-------|----------|-------|------------|-------------|
| 10     | 27.79 | 20.32 | 15       | 24.89 | 34         | 3-104666-3  |
|        | 12.55 | 5.08  | 4        | 9.65  | 10         | 3-104666-2  |
|        | 22.71 | 15.24 | 12       | 19.81 | 26         | 3-104666-1  |
|        | 21.44 | 13.97 | 11       | 18.54 | 24         | 3-104666-0  |
|        | 16.36 | 8.89  | 7        | 13.46 | 16         | 2-104666-9  |
|        | 49.38 | 46.99 | 33       | 46.48 | 68         | 2-104666-8  |
|        | 44.30 | 36.83 | 29       | 41.40 | 60         | 2-104666-7  |
|        | 69.70 | 62.23 | 49       | 66.80 | 100        | 2-104666-6  |
|        | 57.00 | 49.53 | 39       | 54.10 | 80         | 2-104666-5  |
|        | 37.95 | 30.48 | 24       | 35.05 | 50         | 2-104666-4  |
|        | 31.60 | 24.13 | 19       | 28.70 | 40         | 2-104666-3  |
|        | 25.25 | 17.78 | 14       | 22.35 | 30         | 2-104666-2  |
|        | 18.90 | 11.43 | 9        | 16.00 | 20         | 2-104666-1  |
|        | 27.79 | 20.32 | 15       | 24.89 | 34         | 1-104666-3  |
| 12.55  | 5.08  | 4     | 9.65     | 10    | 1-104666-2 |             |
| 22.71  | 15.24 | 12    | 19.81    | 26    | 1-104666-1 |             |
| 21.44  | 13.97 | 11    | 18.54    | 24    | 1-104666-0 |             |
| 16.36  | 8.89  | 7     | 13.46    | 16    | 104666-9   |             |
| 49.38  | 46.99 | 33    | 46.48    | 68    | 104666-8   |             |
| 44.30  | 36.83 | 29    | 41.40    | 60    | 104666-7   |             |
| 69.70  | 62.23 | 49    | 66.80    | 100   | 104666-6   |             |
| 57.00  | 49.53 | 39    | 54.10    | 80    | 104666-5   |             |
| 37.95  | 30.48 | 24    | 35.05    | 50    | 104666-4   |             |
| 31.60  | 24.13 | 19    | 28.70    | 40    | 104666-3   |             |
| 25.25  | 17.78 | 14    | 22.35    | 30    | 104666-2   |             |
| 18.90  | 11.43 | 9     | 16.00    | 20    | 104666-1   |             |
| FINISH | DIM_G | DIM_C | B SPACES | DIM_A | NO OF POSN | PART NUMBER |

|  |  |                               |   |  |
|--|--|-------------------------------|---|--|
| THIS DRAWING IS A CONTROLLED DOCUMENT.   |  | DWN<br>G. RAMESH<br>22NOV2017 | <b>STE</b> TE Connectivity  |  |
| DIMENSIONS:<br>mm  |  | CHK<br>J. OLSON<br>22NOV2017  |   |  |
| TOLERANCES UNLESS OTHERWISE SPECIFIED:<br>0 PLC ±<br>1 PLC ±0.3<br>2 PLC ±0.13<br>3 PLC ±<br>4 PLC ±<br>ANGLES ±0.5° |  | APVD<br>J. OLSON<br>22NOV2017 | NAME<br>HEADER ASSEMBLY, VERTICAL, DOUBLE ROW,<br>W/SIDE & END LATCHES, AMPMODU System 50 |  |
| MATERIAL   |  | PRODUCT SPEC<br>108-1093      | SIZE<br>A200779   |  |
| SEE TABLE  |  | APPLICATION SPEC<br>114-25031 | DRAWING NO<br>C-104666  |  |
|  |  | WEIGHT<br>-                   | RESTRICTED TO   |  |
|  |  | CUSTOMER DRAWING              | SCALE 4:1 SHEET 2 OF 2 REV AC   |  |

## X-ON Electronics

Largest Supplier of Electrical and Electronic Components

*Click to view similar products for [Board to Board & Mezzanine Connectors](#) category:*

*Click to view products by [TE Connectivity](#) manufacturer:*

Other Similar products are found below :

[589158040000018](#) [MDF7C-18P-2.54DSA\(55\)](#) [FCN-230C068-11](#) [FCN-268F012-G/BD](#) [FCN-268F036-G/BD](#) [FCN-268M012-G/0D](#) [FCN-268M024-G/1D](#) [FCN-723J004/1](#) [MIS-048-01-F-D-DP-K](#) [832-10-034-10-001000](#) [FX4C-80S-1.27DSA](#) [FCN-214Q030-G/0](#) [FCN-234P048-G/0](#) [FCN-235D050-G/C](#) [210-93-314-41-105000](#) [2-22603-0](#) [MDF7-40DP-2.54DSA\(55\)](#) [AXG720047](#) [5031084030](#) [MIT-114-03-F-D-K](#) [55323-1519](#) [DF33-2P-3.3DSA\(24\)](#) [YFT-20-05-H-03-SB-K](#) [503308-3040](#) [026-6203-PDB](#) [027-6203-PDB](#) [069159702701000](#) [10123981-102LF](#) [101A10019X](#) [55650-0588-C](#) [68682-310LF](#) [68684-306](#) [75140-7012](#) [87471-650](#) [194261-1](#) [FCN-268F024-G0D](#) [10124054-515LF](#) [68685-603](#) [8-1616154-3](#) [MIS-019-01-F-D](#) [FCN-268M024-G/3D](#) [20021832-06016C1LF](#) [KX15-20KLDL-E1000E](#) [MDF7-16DP-2.54DSA\(55\)](#) [AXE810124](#) [FCN-214J100-G/0](#) [FCN-230C068-E/S](#) [AXE812124](#) [AXE816124](#) [AXE720127](#)