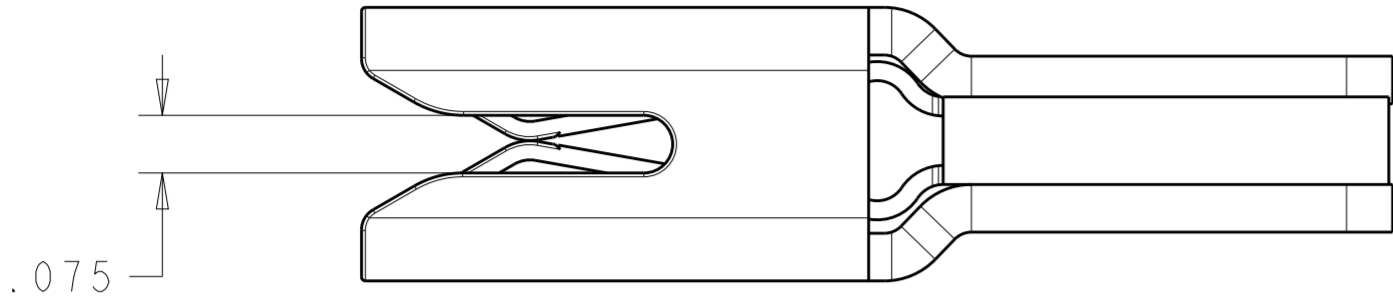
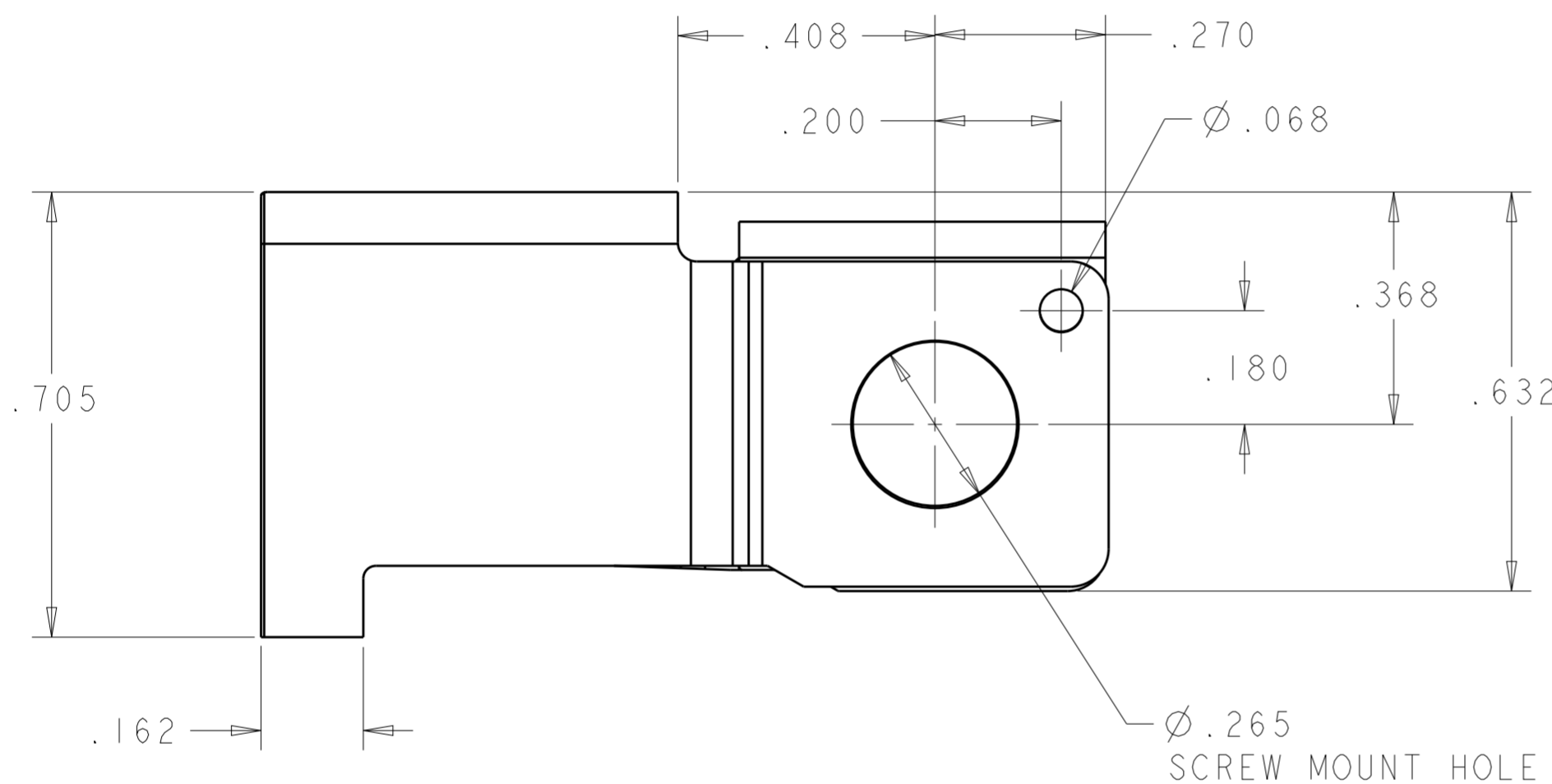


THIS DRAWING IS UNPUBLISHED. RELEASED FOR PUBLICATION 20  
 © COPYRIGHT 20 ALL RIGHTS RESERVED.

LOC	DIST	REVISIONS					
GP	00	P	LTR	DESCRIPTION	DATE	DWN	APVD
			J1	REV PER ECO-15-004265	12JUL2016	ML	SZ

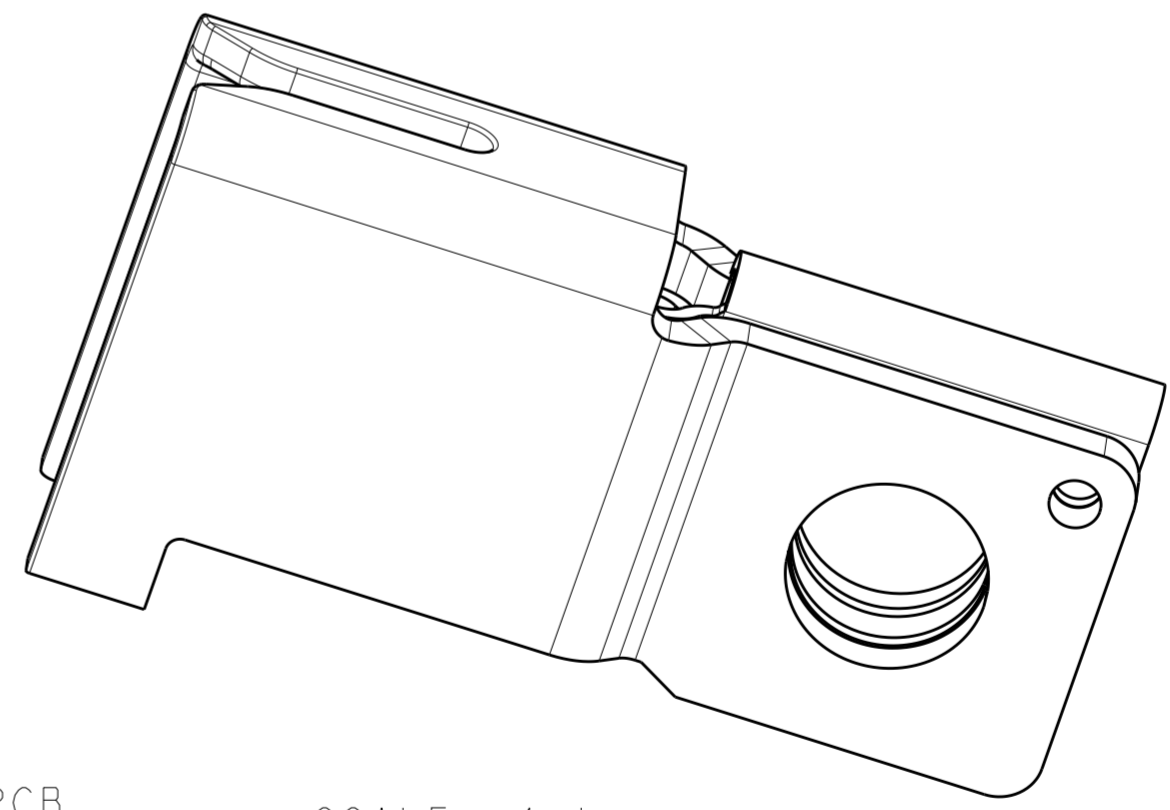
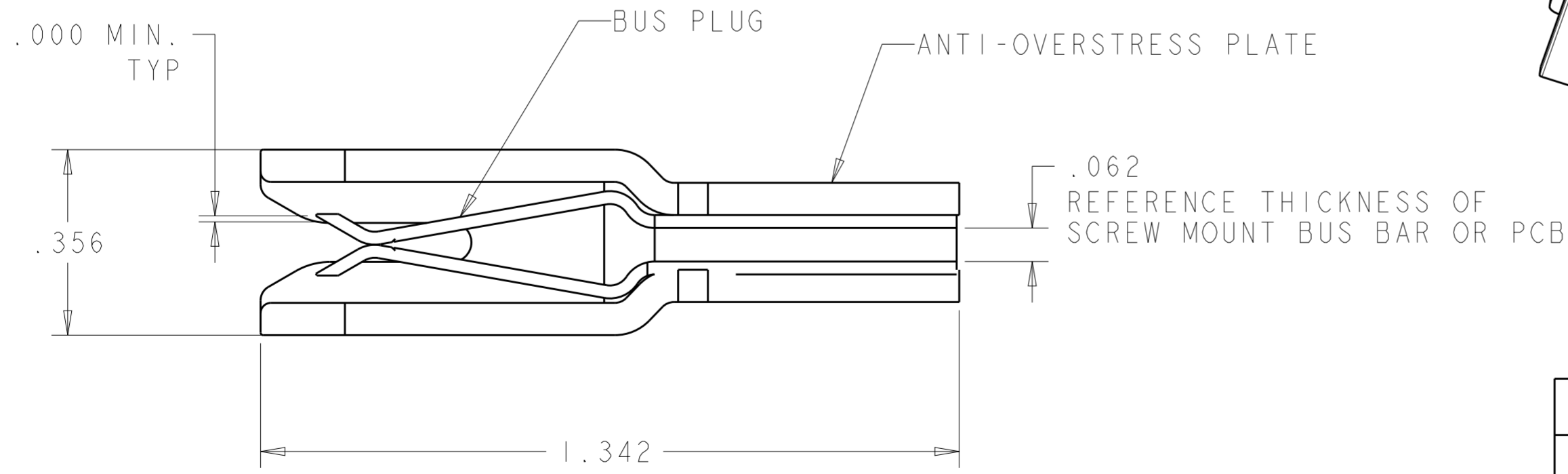


- 1. COMPONENTS UNASSEMBLED IN A SEALED POLY BAG.
- 2 MATERIAL:  
ANTI-OVERSTRESS PLATE - STAINLESS STEEL/IRON.  
BUS PLUG - HIGH CONNECTIVITY COPPER ALLOY
- 3 FINISH:  
SILVER PLATING OVER NICKEL PLATING ON CONTACT.



- 4 MATERIAL:  
ANTI-OVERSTRESS PLATE - THERMOPLASTIC, BLACK, UL94V-0  
BUS PLUG - HIGH CONNECTIVITY COPPER ALLOY
- 5. ITEMS PROVIDED TO THIS SPECIFICATION TO BE PERMANENTLY IDENTIFIED ON THE CONTAINER PER THE FOLLOWING IDENTIFIER LABEL:

TE CONNECTIVITY P/N: XXXXXXXX-X  
 DATE CODE (e.g. 0106): YEAR 1 WEEK 1  
 XXXX



SCALE 4:1

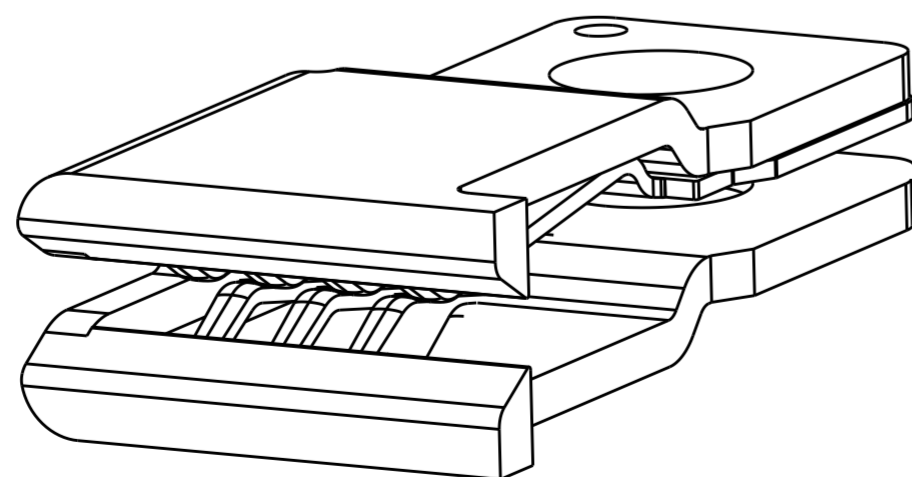
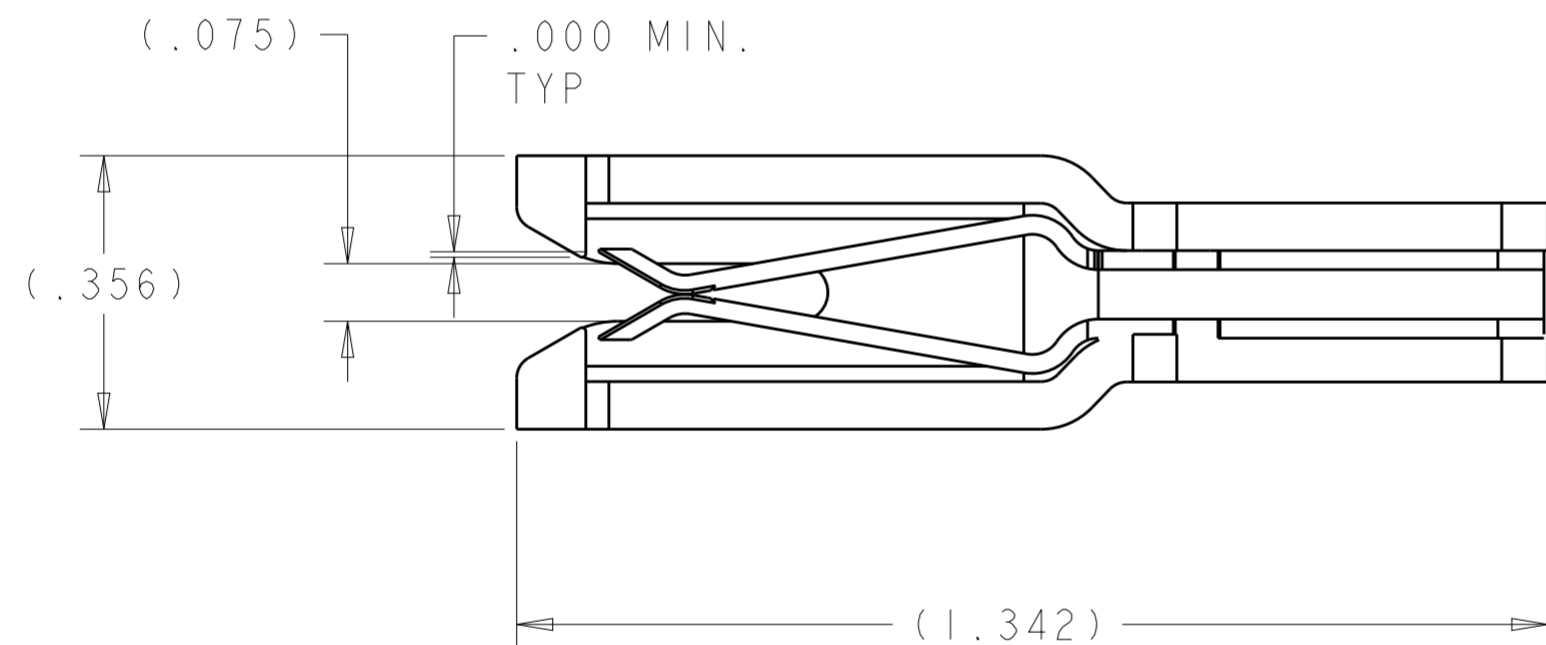
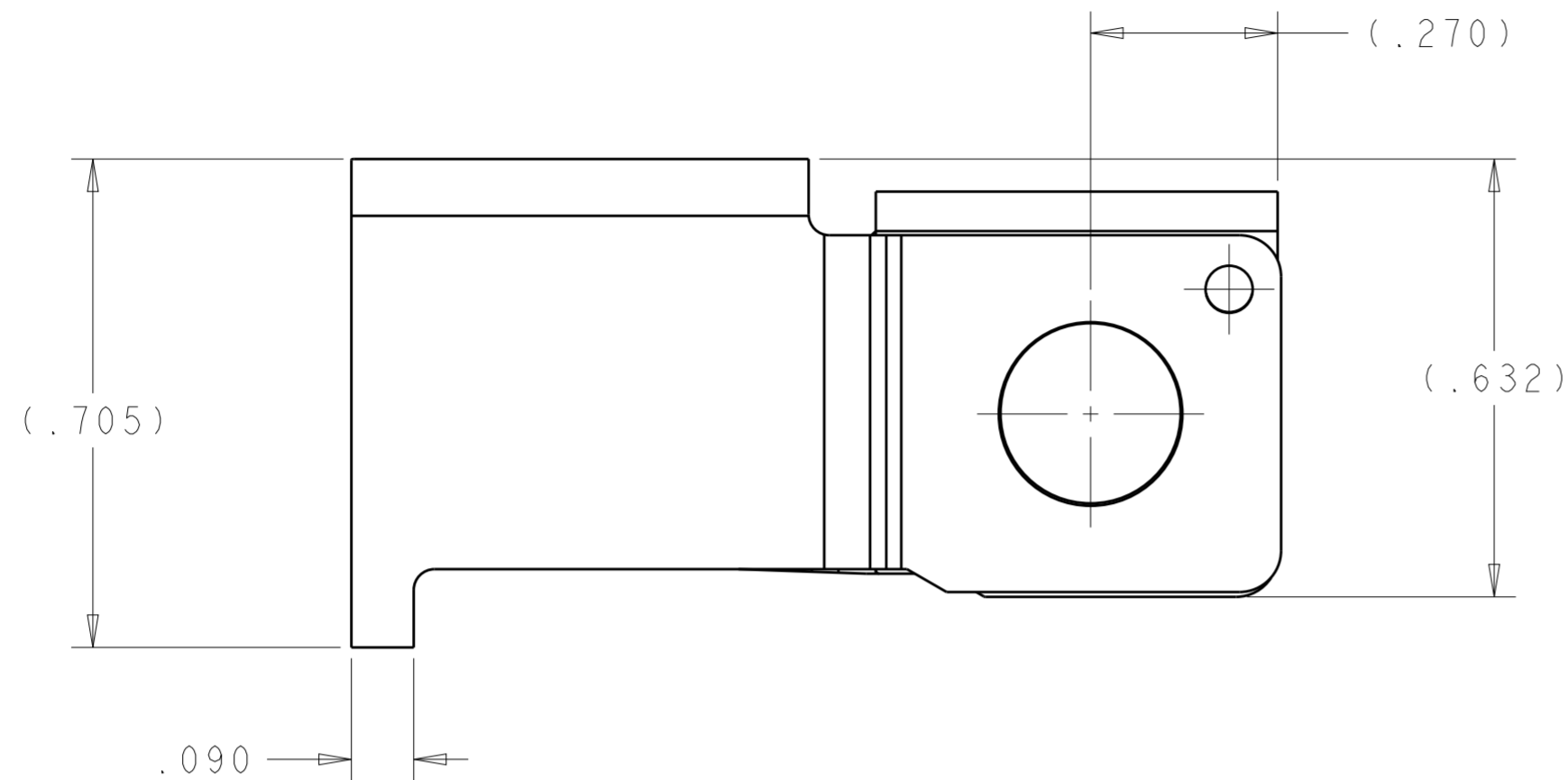
2	3	104742-1
DESCRIPTION		PART NUMBER

THIS DRAWING IS A CONTROLLED DOCUMENT.		DWN R. GRZYBOWSKI 08FEB2008
DIMENSIONS: INCHES		CHK A. FRANTUM 08FEB2008
TOLERANCES UNLESS OTHERWISE SPECIFIED:		APVD S. FLICKINGER 08FEB2008
0 PLC ±	1 PLC ±	PRODUCT SPEC
2 PLC ±	3 PLC ±.015	APPLICATION SPEC
4 PLC ±	ANGLES ±	WEIGHT
MATERIAL	FINISH	CUSTOMER DRAWING

<b>STE</b> TE Connectivity		NAME	RESTRICTED TO
AMP PDS .062F2 PLUGGABLE BUS BAR SERIES W/ GUIDE		SIZE	
A200779	C-104742	CAGE CODE	DRAWING NO
SCALE 4:1	SHEET 1 OF 2	REV	J1

THIS DRAWING IS UNPUBLISHED. RELEASED FOR PUBLICATION 20  
 © COPYRIGHT 20 ALL RIGHTS RESERVED.

LOC	DIST	REVISIONS					
GP	00	P	LTR	DESCRIPTION	DATE	DWN	APVD
		-		SEE SHEET 1	-	-	-



THIS DRAWING IS A CONTROLLED DOCUMENT.		DWN R. GRZYBOWSKI 08FEB2008	3 4		104742-2
DIMENSIONS: INCHES		CHK A. FRANTUM 08FEB2008	DESCRIPTION		PART NUMBER
TOLERANCES UNLESS OTHERWISE SPECIFIED: 0 PLC ± 1 PLC ± 2 PLC ± 3 PLC ±.015 4 PLC ± ANGLES ± FINISH		APVD S. FLICKINGER 08FEB2008	TE Connectivity AMP PDS .062F2 SERIES W/ GUIDE		
MATERIAL		PRODUCT SPEC	SIZE	CAGE CODE	DRAWING NO
		APPLICATION SPEC	A200779	C-104742	RESTRICTED TO
		WEIGHT	SCALE 4:1		SHEET 2 OF 2
		CUSTOMER DRAWING	REV J1		

## X-ON Electronics

Largest Supplier of Electrical and Electronic Components

*Click to view similar products for [Heavy Duty Power Connectors](#) category:*

*Click to view products by [TE Connectivity](#) manufacturer:*

Other Similar products are found below :

[647757-1](#) [6643411-1](#) [6646058-2](#) [6646137-1](#) [6646138-1](#) [6646479-1](#) [6646608-1](#) [6646786-1](#) [6646940-1](#) [6651091-1](#) [6651525-1](#) [6651529-1](#)  
[6651788-1](#) [696475-1](#) [702-32-01109](#) [703-25-02205](#) [73000005059](#) [73000005642](#) [73080255059](#) [73080965046](#) [765-15-0080A](#) [765-16-0080B](#)  
[765-18-0080D](#) [829992-1](#) [902-77-02113](#) [PS00/A0620/6300](#) [PS25/A0420/63](#) [129-1J](#) [1409400](#) [AN0024023](#) [E6374G1](#) [e6389g2](#) [157-43GW8](#)  
[MS3117-14AC](#) [1643543-1](#) [1650540-1](#) [1651811-2](#) [1766260-1](#) [1766282-1](#) [1766966-1](#) [1791340000](#) [NLDFT-3-BL-L-S120-M40A](#) [NLDFT-N-](#)  
[W-L-C240-M40B](#) [NLS-2-R-C240-M40B](#) [NLS-N-W-C240-M40B](#) [NPS-3-BL-T6](#) [1986615-1](#) [2-1589900-8](#) [2199314-1](#) [KA8102](#)