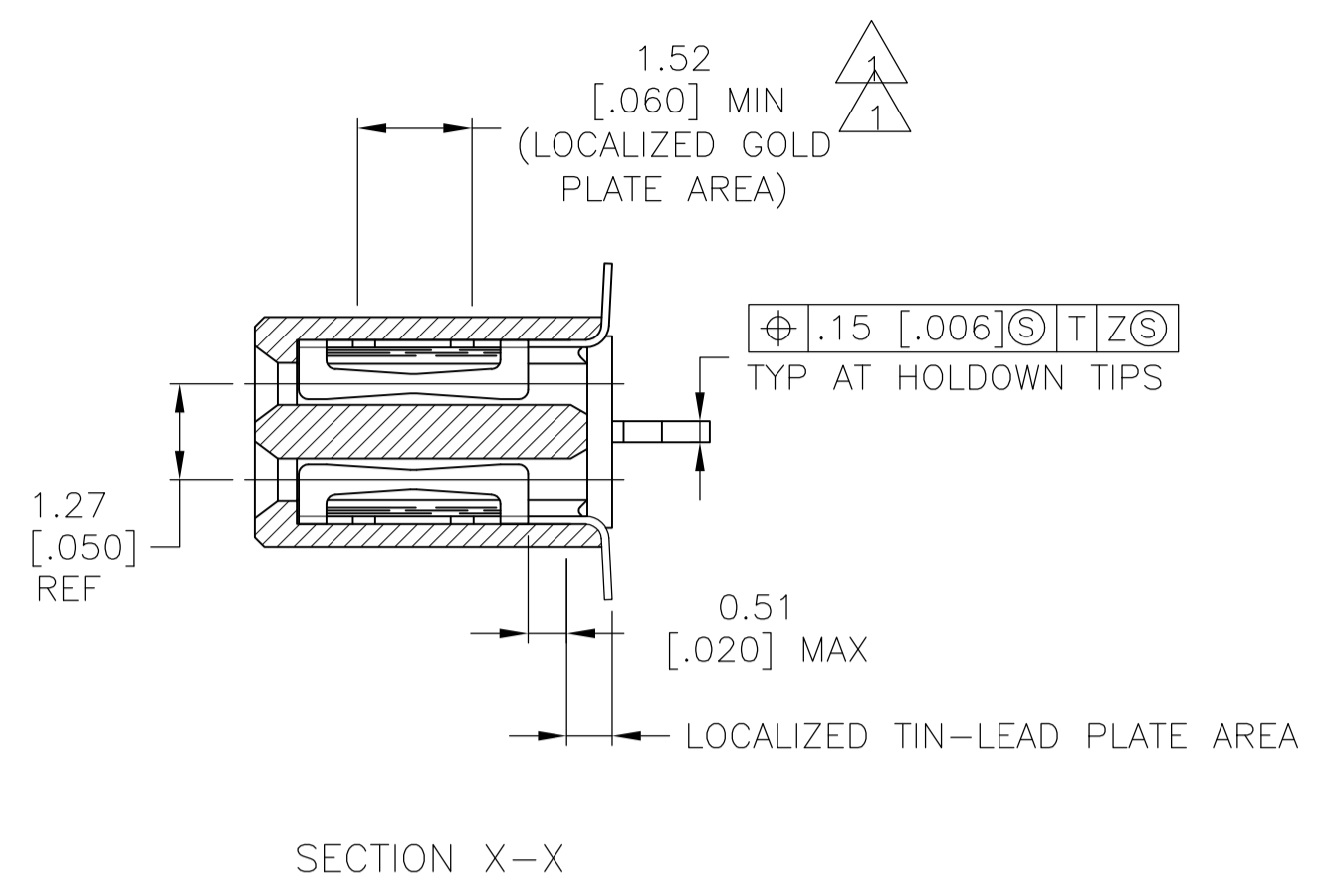
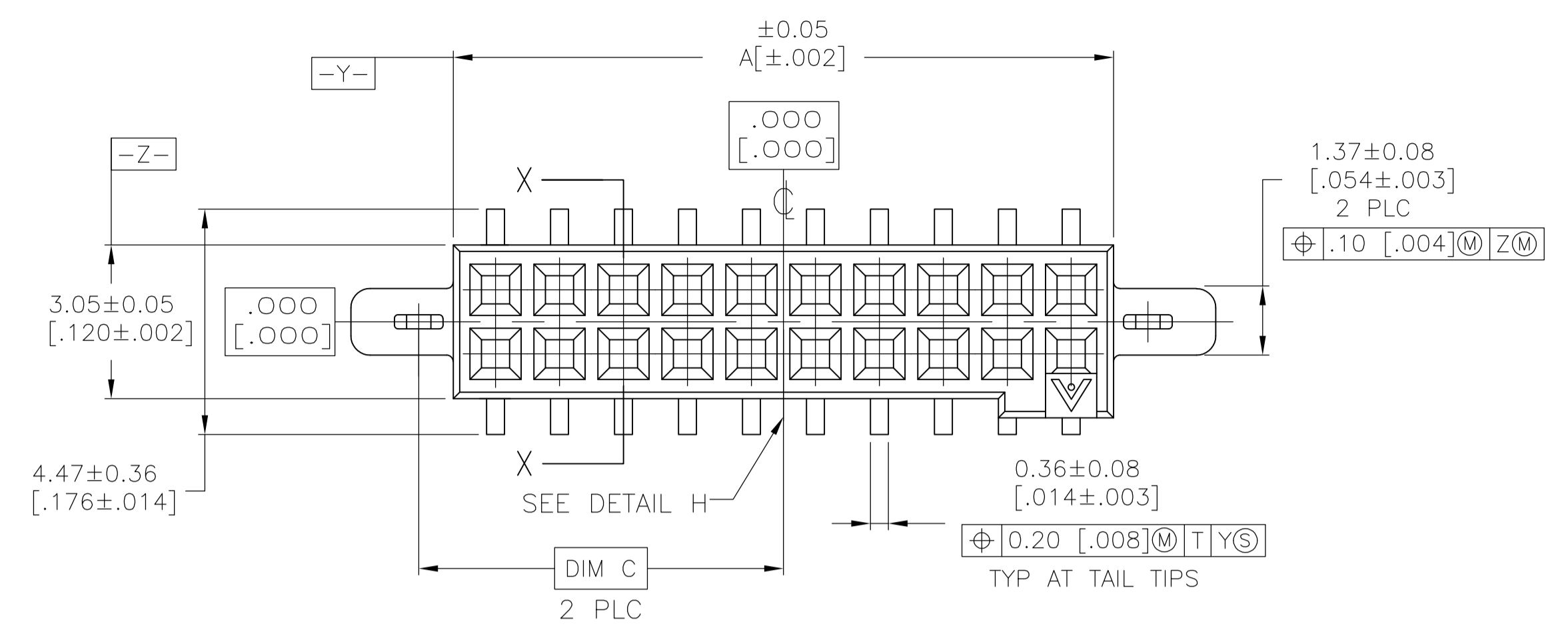
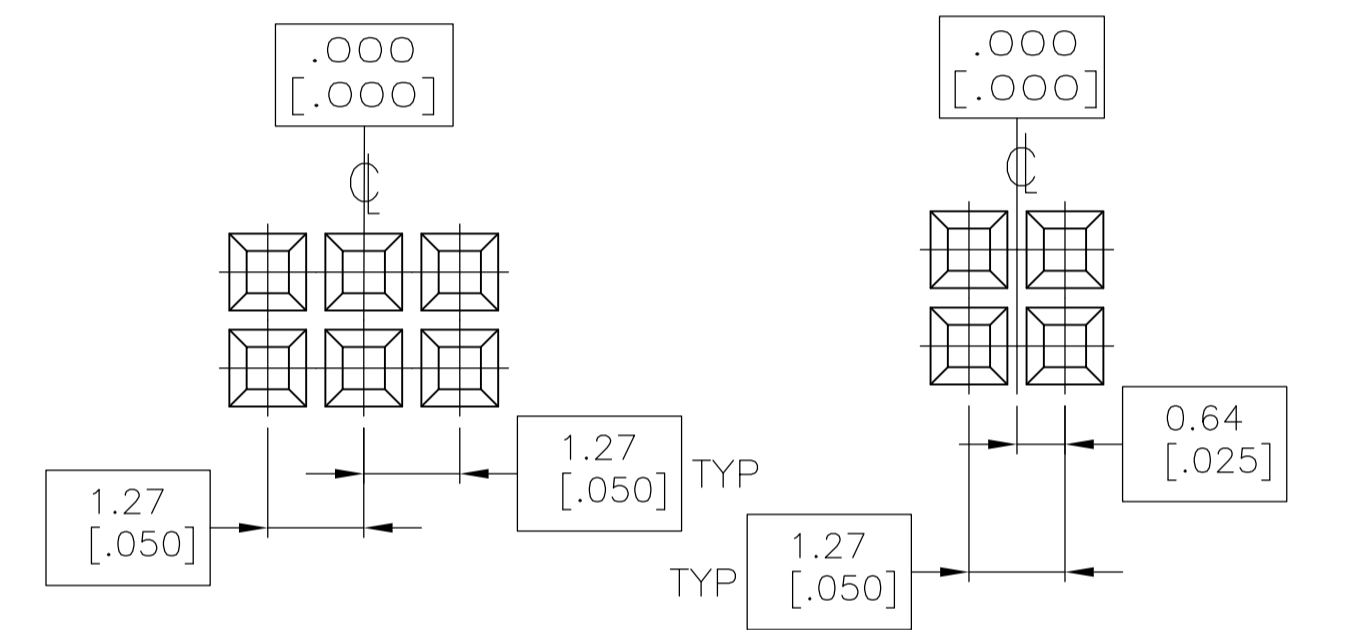
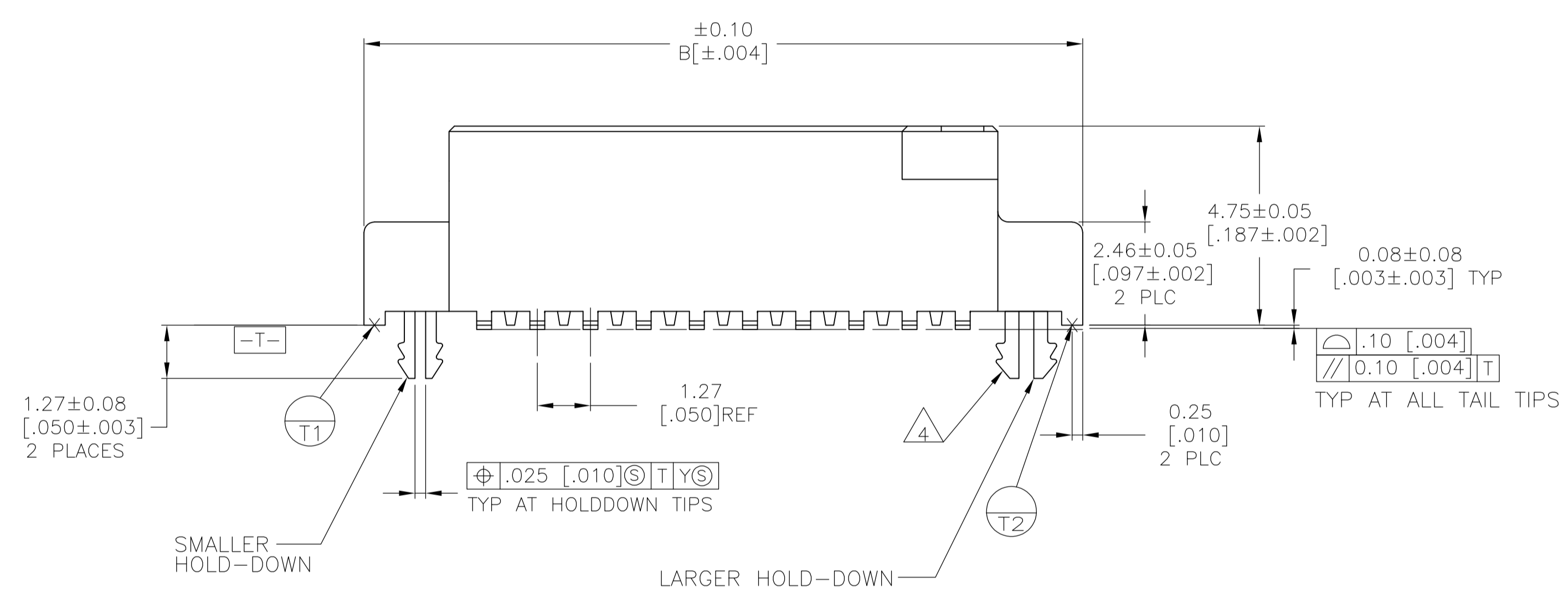


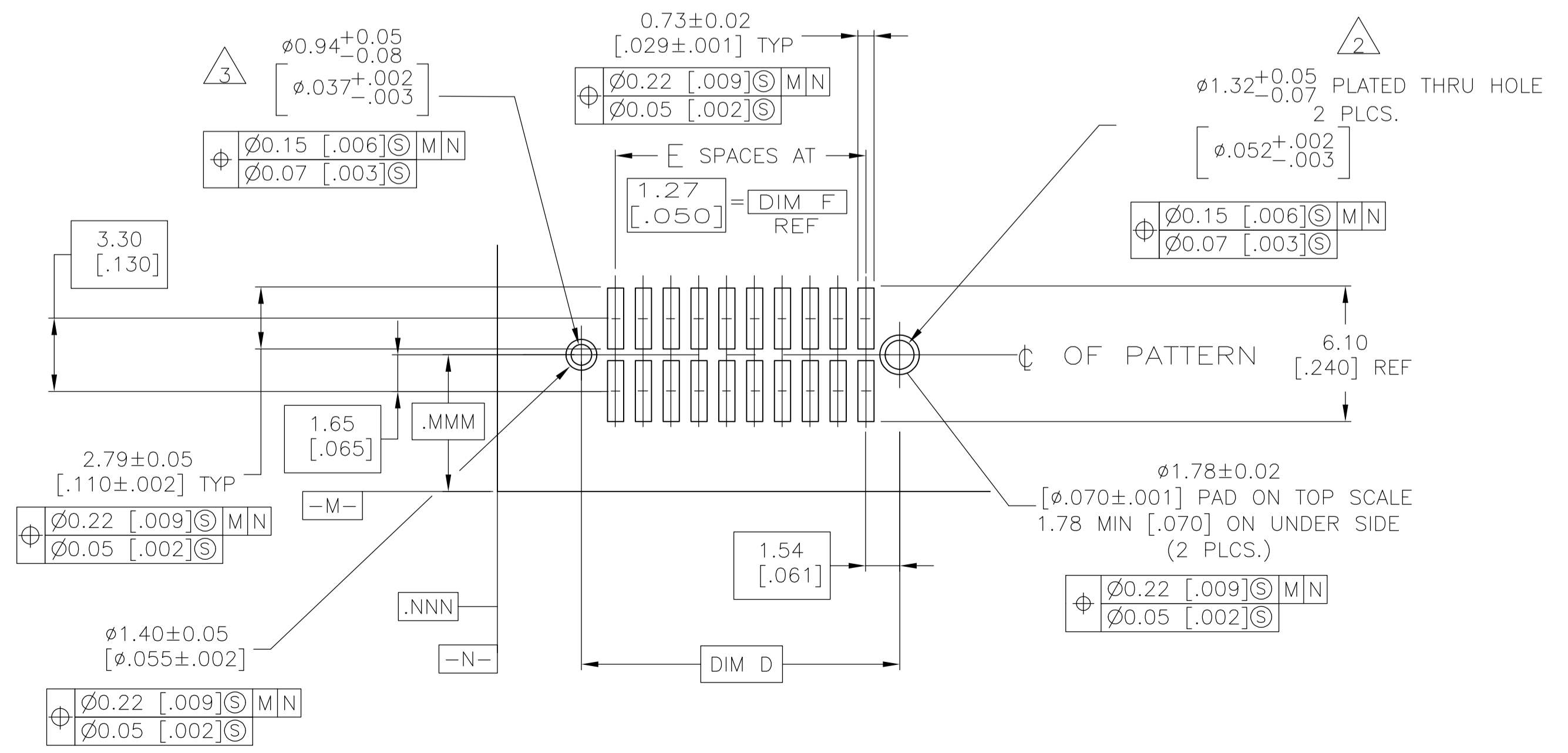
REVISONS		DATE	BY	APPD
N	EC 0G3C 0697 04	23NOV04	BSV	DLS
N1	REVISED PER ECO-09-020689	31AUG09	KK	AEG



- 1 0.00076 [.000030] GOLD IN LOCALIZED PLATE AREA  
0.00381 [.000150] TIN-LEAD ON SOLDER TAILS  
ALL OVER 0.00127 [.000050] NICKEL
- 2 USE 1.510±0.025[.0595±.0010] DRILLED HOLE (#53 DRILL)  
FINISH TO BE TIN/LEAD OVER 0.02 [.001] MIN COPPER
- 3 USE 1.070±0.025[.0420±.0010] DRILLED HOLE (#58 DRILL)  
FINISH TO BE TIN/LEAD OVER 0.02 [.001] MIN COPPER
- 4 PLATING: 0.0038 [.000150] TIN-LEAD OVER 0.00127 [.000050] NICKEL
- 5. IF PLANNING TO USE MORE THAN ONE MATING PAIR OF CONNECTORS  
TO INTERCONNECT 2 BOARDS, PLEASE REFER TO PARA. 3.3 IN THE  
APPLICATION SPEC, #114-7010
- 6 HOUSING: LCP, COLOR:BLACK.  
CONTACT: COPPER ALLOY PER ASTM SPECIFICATION B422.  
HOLDDOWN: COPPER ALLOY PER ASTM SPECIFICATION B194.
- 7 0.00076 (.000030) GOLD IN LOCALIZED PLATE AREA, 0.00381  
(.000150) MIN TIN ON SOLDER TAILS, ALL OVER 0.00127  
(.000050) NICKEL.
- 8 OBSOLETE PARTS: OBSOLETE CIS STREAMLINING PER D.RENAUD/D.SINISI



BASIC DIMENSIONS FOR EVEN NO OF SPACES (SEE TABLE)  
 BASIC DIMENSIONS FOR ODD NO OF SPACES (SEE TABLE)  
 DETAIL H



RECOMMENDED BOARD LAYOUT  
 SCALE 5:1

NO OF POS	PART NUMBER	A	B	C	D	E	F REF
60	5-104786-6	36.83	39.88	19.940	42.57	38.51	29
100	1-104786-0	[1.450]	[1.570]	[.785]	[1.676]	[1.516]	29
90	104786-9	[2.450]	[2.570]	[1.285]	[2.676]	[2.516]	49
80	104786-8	[2.200]	[2.320]	[1.160]	[2.426]	[2.266]	44
70	104786-7	49.53	52.58	26.290	55.27	51.21	39
60	104786-6	43.18	46.23	23.11	48.92	44.86	34
50	104786-5	[1.700]	[1.820]	[.910]	[1.926]	[1.766]	29
40	104786-4	36.83	39.88	19.940	42.57	38.51	24
30	104786-3	30.48	33.53	16.76	36.22	32.16	19
20	104786-2	[1.450]	[1.570]	[.785]	[1.676]	[1.516]	14
10	104786-1	[2.00]	[2.120]	[1.160]	[1.426]	[1.266]	9

THIS DRAWING IS A CONTROLLED DOCUMENT.

APPROVED: KATE HELM, 5/31/92  
 CHK: D. GORENC, 5/31/91  
 NAME: D. GORENC, 5/31/91

Tyco Electronics Corporation  
 Harrisburg, Pa 17105-3608

ASSY RCPT,ASYMMETRICAL,SURFACE MT,  
 AMPMODU 50/50 GRID CONNECTOR

SIZE: A1, CAGE CODE: 00779, DRAWING NO: 104786

CUSTOMER DRAWING, SCALE: 10:1, SHEET: 1 OF 1, REV: N1

## X-ON Electronics

Largest Supplier of Electrical and Electronic Components

*Click to view similar products for [Board to Board & Mezzanine Connectors](#) category:*

*Click to view products by [TE Connectivity](#) manufacturer:*

Other Similar products are found below :

[589158040000018](#) [FCN-230C068-11](#) [FCN-268F012-G/BD](#) [FCN-268F036-G/BD](#) [FCN-268M012-G/0D](#) [FCN-268M024-G/1D](#) [FCN-723J004/1](#) [MIS-048-01-F-D-DP-K](#) [832-10-034-10-001000](#) [FX4C-80S-1.27DSA](#) [FCN-214Q030-G/0](#) [FCN-234P048-G/0](#) [FCN-235D050-G/C](#) [210-93-314-41-105000](#) [2-22603-0](#) [MDF7-40DP-2.54DSA\(55\)](#) [AXG720047](#) [5031084030](#) [MIT-114-03-F-D-K](#) [55323-1519](#) [DF33-2P-3.3DSA\(24\)](#) [YFT-20-05-H-03-SB-K](#) [503308-3040](#) [026-6203-PDB](#) [027-6203-PDB](#) [069159702701000](#) [10123981-102LF](#) [101A10019X](#) [55650-0588-C](#) [68684-306](#) [75140-7012](#) [589159005003045](#) [194261-1](#) [FCN-268F024-G0D](#) [10124054-515LF](#) [68685-603](#) [8-1616154-3](#) [MIS-019-01-F-D](#) [589159005002045](#) [541371078](#) [IL-WX-10PB-HF-B-E1000E](#) [FCN-268M024-G/3D](#) [20021832-06016C1LF](#) [KX15-20KLDL-E1000E](#) [MDF7-16DP-2.54DSA\(55\)](#) [AXE810124](#) [FCN-214J100-G/0](#) [FCN-230C068-E/S](#) [AXE812124](#) [AXE816124](#)