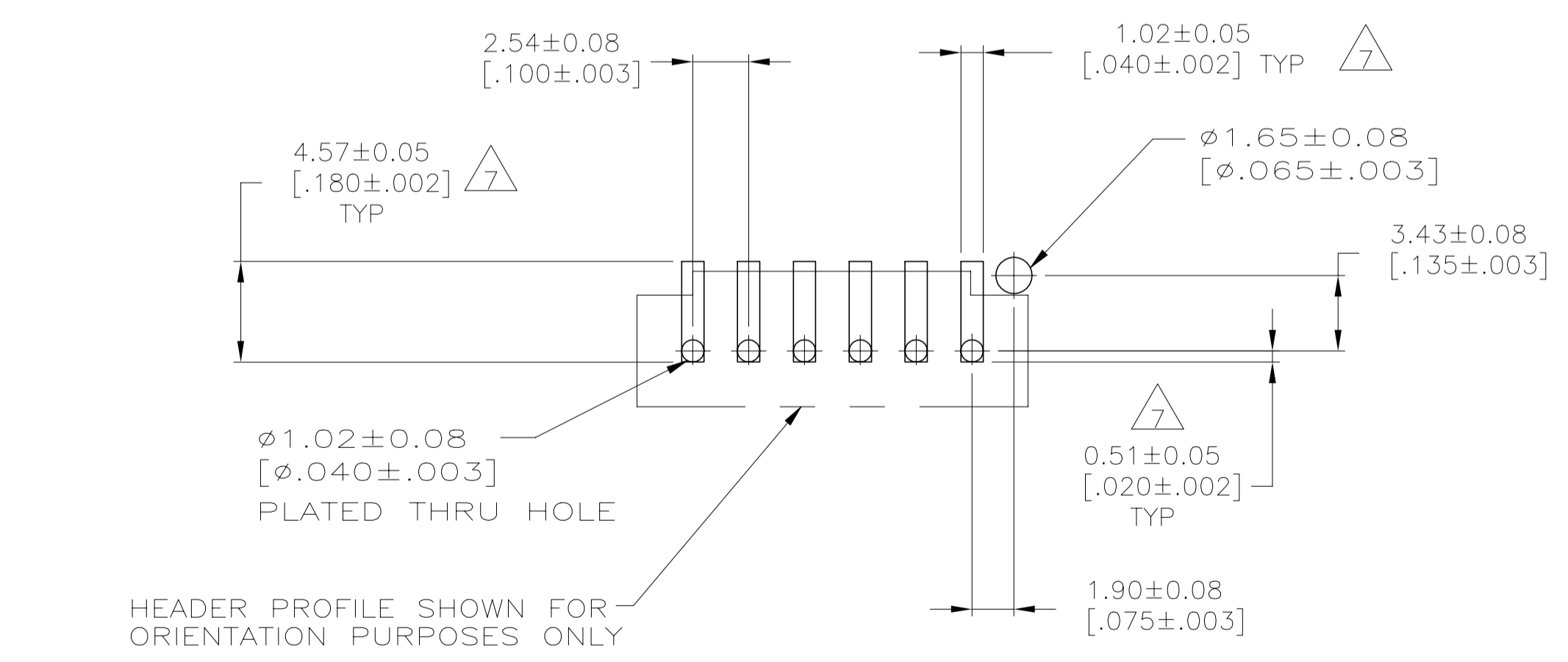
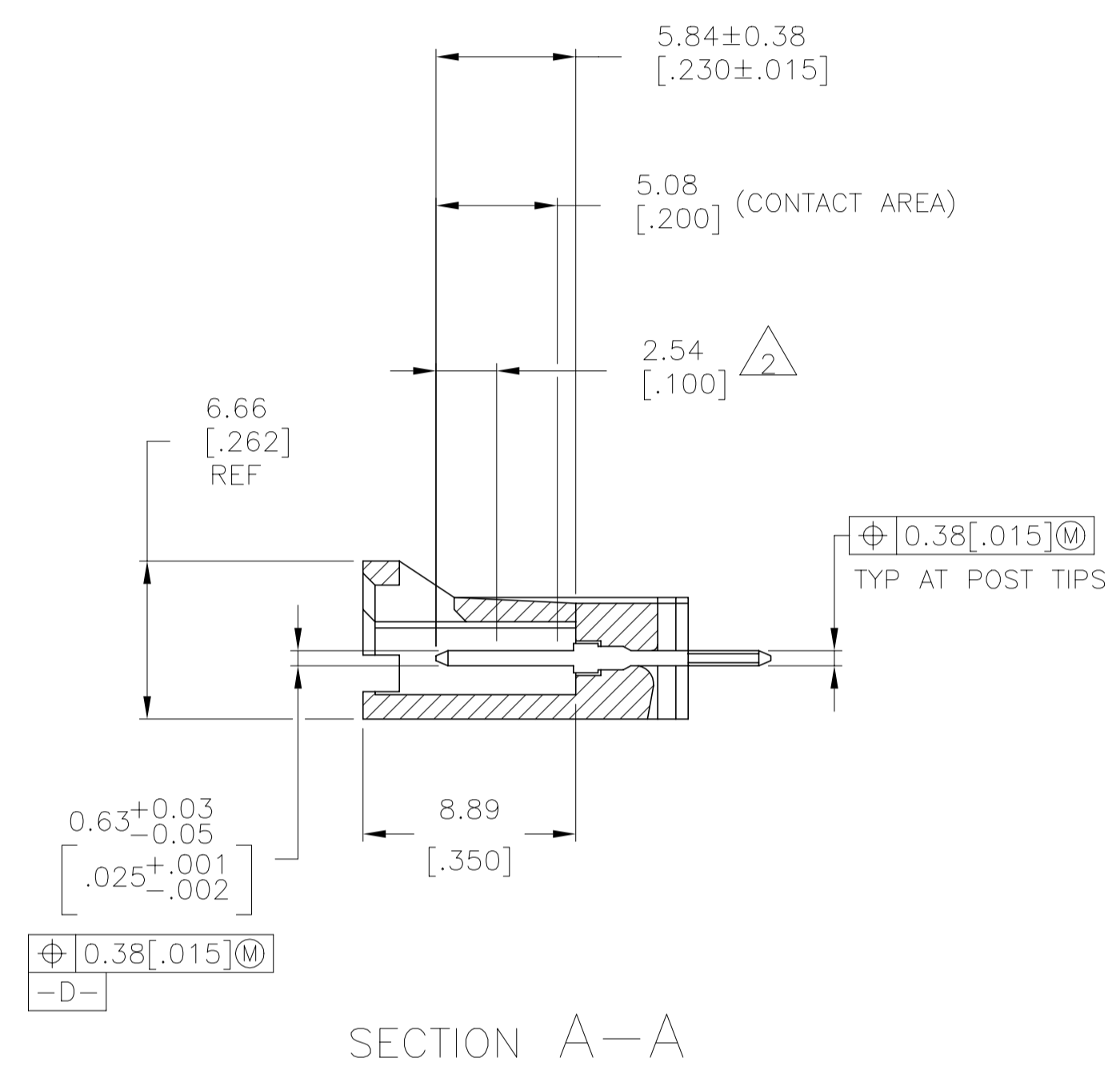
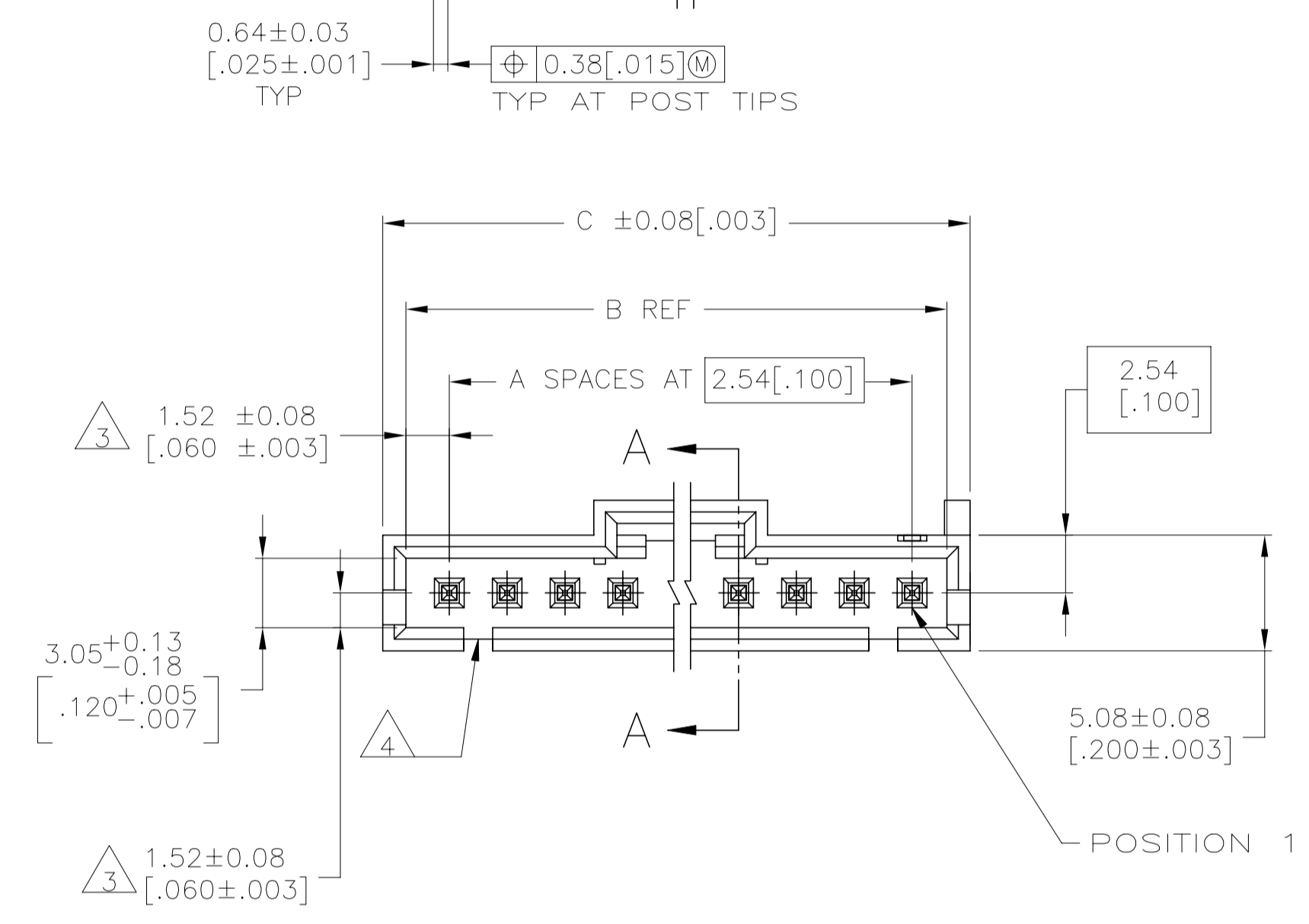
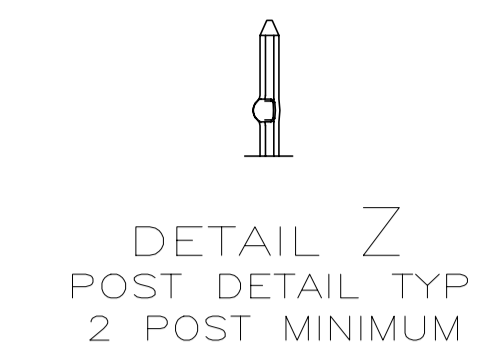
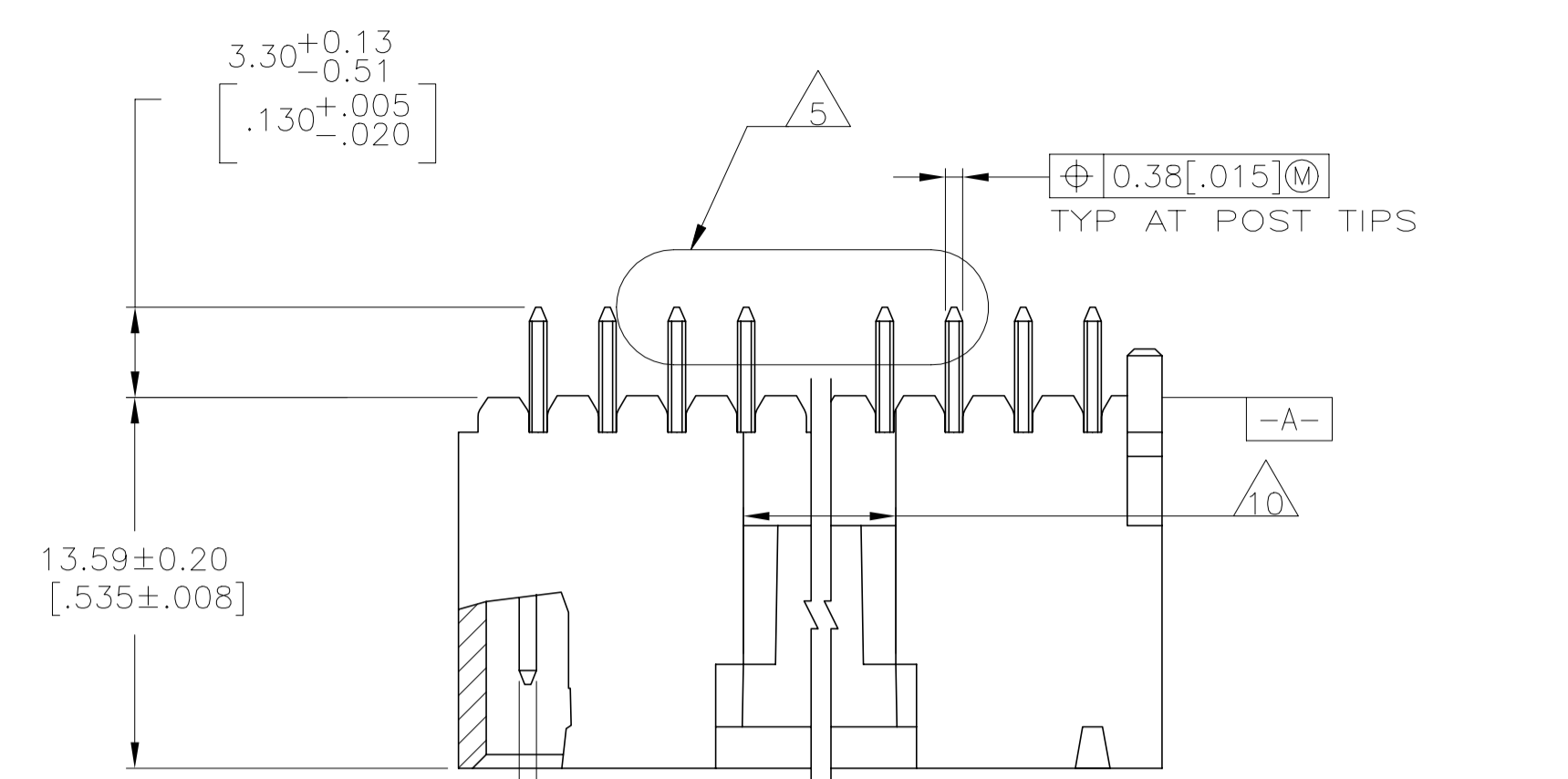


| REVISIONS |     |                           |           |     |      |
|-----------|-----|---------------------------|-----------|-----|------|
| P         | LTR | DESCRIPTION               | DATE      | DRN | APVD |
| N         |     | REVISED PER ECO-20-001327 | 05JUN2020 | SB  | JO   |



RECOMMENDED PC BOARD MOUNTING DIMENSIONS  
RECOMMENDED STENCIL THICKNESS = 0.25[.010]

- 1 FINISH: .00038[.000015] GOLD IN THE CONTACT AREA, .00254[.000100] MATTE TIN-LEAD ON REMAINDER OF CONTACT, ALL OVER .00127[.000050] NICKEL.
- 2 POINT OF MEASUREMENT FOR PLATING THICKNESS.
- 3 THE NOTED DIMENSIONS APPLY FROM THE BASIC DIMENSION CENTER LINE (NOT THE POST CENTER LINE) TO THE SURFACE INDICATED.
- 4 ONE POLARIZATION SLOT FOR 2 AND 3 POSITION ASSEMBLIES ONLY.
- 5 SELECT POST TAILS FORMED TO PROVIDE CONNECTOR HOLD DOWN UNTIL SOLDERED, CONFIGURATION ACCEPTS 0.69[.027]-2.03[.080] THICK PRINTED CIRCUIT BOARD. (SEE DETAIL Z).
- 6 PARTS ARE PACKAGED IN GANG OF TUBES.
- 7 DIMENSIONS NOTED ARE FOR SOLDER STENCIL LAYOUT FOR USE WITH 1.58±0.20[.062±.008] THICK PRINTED CIRCUIT BOARDS.
- 8 MATERIAL- HOUSING: LCP, COLOR-BLACK. POSTS: BRASS.
- 9 FINISH: .00038[.000015] GOLD IN THE CONTACT AREA, .00254[.000100] MATTE TIN ON REMAINDER OF CONTACT, ALL OVER .00127[.000050] NICKEL.
- 10 0.25 [.010] RECESS PERMISSIBLE IN THIS AREA FOR MOLD SHUT OFF

|         |                  |                  |     |             |            |
|---------|------------------|------------------|-----|-------------|------------|
| 9       | 32.89<br>[1.295] | 30.99<br>[1.220] | 1 1 | 12          | 6-104809-1 |
| 9       | 30.35<br>[1.195] | 28.45<br>[1.120] | 10  | 1 1         | 6-104809-0 |
| 9       | 27.81<br>[1.095] | 25.91<br>[1.020] | 9   | 10          | 5-104809-9 |
| 9       | 25.27<br>[.995]  | 23.37<br>[.920]  | 8   | 9           | 5-104809-8 |
| 9       | 22.73<br>[.895]  | 20.83<br>[.820]  | 7   | 8           | 5-104809-7 |
| 9       | 20.19<br>[.795]  | 18.29<br>[.720]  | 6   | 7           | 5-104809-6 |
| 9       | 17.65<br>[.695]  | 15.75<br>[.620]  | 5   | 6           | 5-104809-5 |
| 9       | 15.11<br>[.595]  | 13.21<br>[.520]  | 4   | 5           | 5-104809-4 |
| 9       | 12.57<br>[.495]  | 10.67<br>[.420]  | 3   | 4           | 5-104809-3 |
| 9       | 10.03<br>[.395]  | 8.13<br>[.320]   | 2   | 3           | 5-104809-2 |
| 9       | 7.49<br>[.295]   | 5.59<br>[.220]   | 1   | 2           | 5-104809-1 |
| 1       | 32.89<br>[1.295] | 30.99<br>[1.220] | 1 1 | 12          | 1-104809-1 |
| 1       | 30.35<br>[1.195] | 28.45<br>[1.120] | 10  | 1 1         | 1-104809-0 |
| 1       | 27.81<br>[1.095] | 25.91<br>[1.020] | 9   | 10          | 104809-9   |
| 1       | 25.27<br>[.995]  | 23.37<br>[.920]  | 8   | 9           | 104809-8   |
| 1       | 22.73<br>[.895]  | 20.83<br>[.820]  | 7   | 8           | 104809-7   |
| 1       | 20.19<br>[.795]  | 18.29<br>[.720]  | 6   | 7           | 104809-6   |
| 1       | 17.65<br>[.695]  | 15.75<br>[.620]  | 5   | 6           | 104809-5   |
| 1       | 15.11<br>[.595]  | 13.21<br>[.520]  | 4   | 5           | 104809-4   |
| 1       | 12.57<br>[.495]  | 10.67<br>[.420]  | 3   | 4           | 104809-3   |
| 1       | 10.03<br>[.395]  | 8.13<br>[.320]   | 2   | 3           | 104809-2   |
| 1       | 7.49<br>[.295]   | 5.59<br>[.220]   | 1   | 2           | 104809-1   |
| PLATING | C                | B                | A   | NO. OF POSN | PART NO.   |

THIS DRAWING IS A CONTROLLED DOCUMENT. DWN R BROWN 09FEB01  
DK K WRIGHT 09FEB01

TE Connectivity

PLZD HDR ASSY, AMPMODU MTE, VERTICAL SINGLE ROW, 2.54[.100] CL, 0.64[.025] SQ POSTS, WITH LATCHING & HOLD DOWN

SCALE: 4:1 SHEET 1 OF 1 REV N

## X-ON Electronics

Largest Supplier of Electrical and Electronic Components

*Click to view similar products for [Headers & Wire Housings](#) category:*

*Click to view products by [TE Connectivity](#) manufacturer:*

Other Similar products are found below :

[892-18-020-10-001101](#) [58102-G61-06LF](#) [582553-1](#) [0009485154](#) [009176003701906](#) [0050291907](#) [LY20-4P-DT1-P1E-BR](#) [02.125.8002.8](#)  
[609-3404](#) [61062-3](#) [61082-181009](#) [622-3653LF](#) [63453-116](#) [636-1030](#) [636-1427](#) [636-3427](#) [636-4007](#) [641938-9](#) [641991-4](#) [644827-2](#) [65817-010LF](#) [65817-015LF](#) [65863-015LF](#) [66207-023LF](#) [67095-007LF](#) [67601157](#) [68645-018](#) [68648-049](#) [70.362.1628.0](#) [70-4210](#) [70-4226B](#) [70-4853B](#) [707-5020](#) [707-5028](#) [71.350.2428.0](#) [71918-208LF](#) [71961-016LF](#) [733-134](#) [733-162](#) [754199-000](#) [760-3052](#) [787-8014-00](#) [79531-3000](#)  
[FCN-360C032-B](#) [FCN-367T-T012/H](#) [FCN-723D010/2](#) [80.063.4001.1](#) [800-90-001-10-001000](#) [800-90-010-10-002000](#) [801-43-002-10-013000](#)