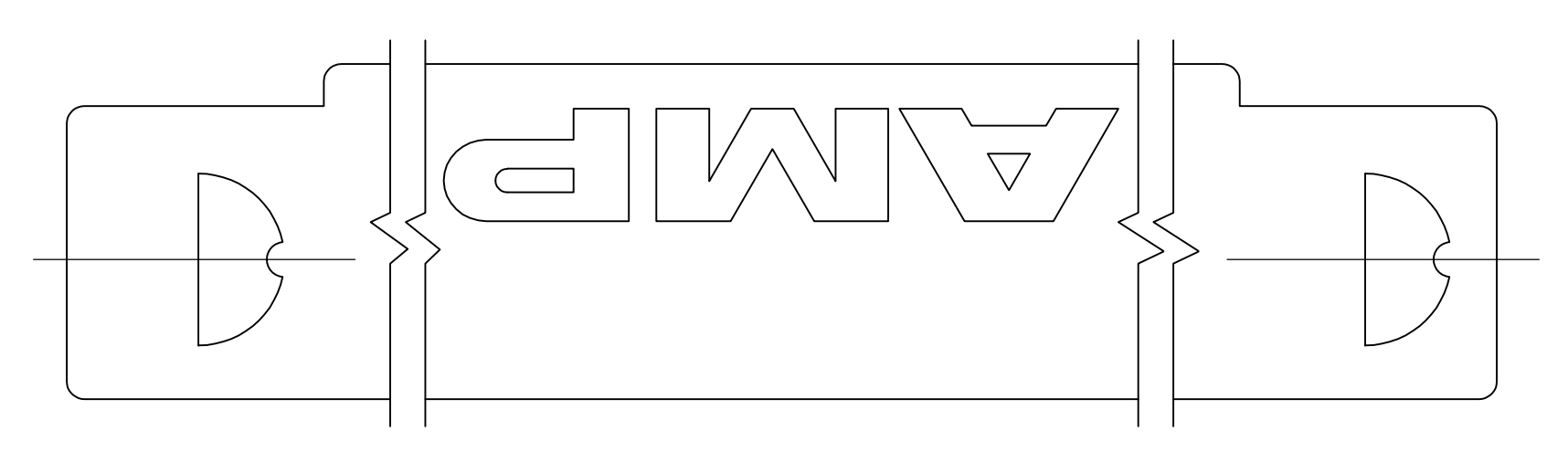
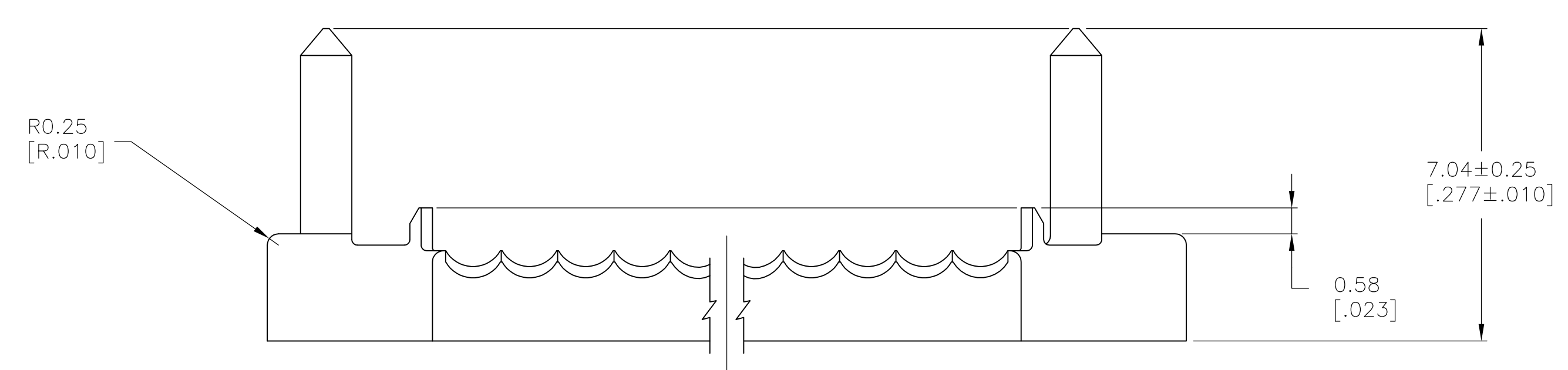
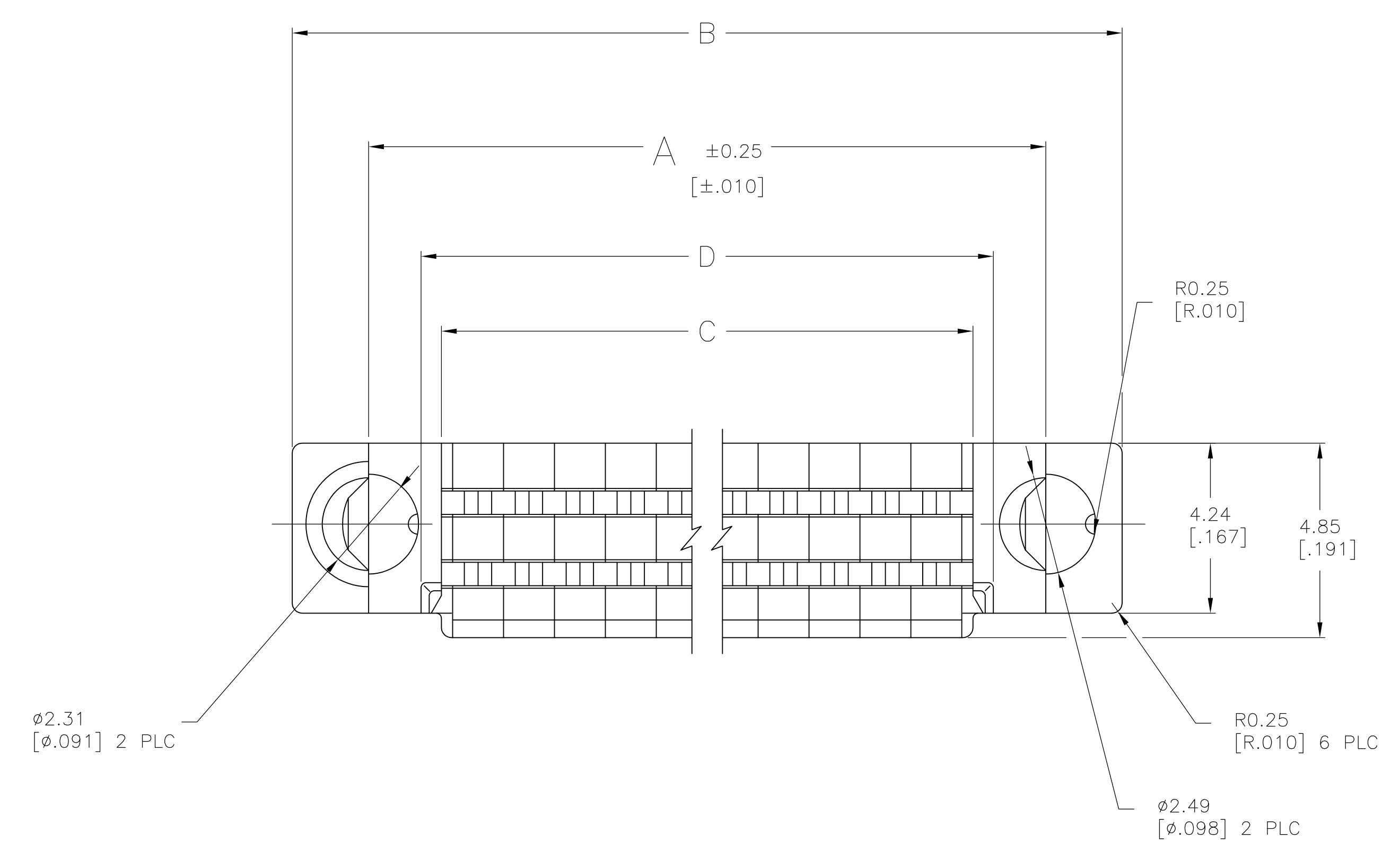


- 1 MATERIAL: POLYESTER, BLACK.
- 2 OBSOLETE PART NUMBER.
- 3 OBSOLETE PARTS: OBSOLETE CIS STREAMLINING PER D.RENAUD/D.SINISI



|     |         |         |         |         |            |                     |
|-----|---------|---------|---------|---------|------------|---------------------|
| 2   | 44.76   | 43.74   | 51.18   | 47.37   | 68         | 1-104891-1          |
|     | [1.762] | [1.722] | [2.015] | [1.865] |            |                     |
| 100 | 65.08   | 64.06   | 71.50   | 67.69   | 100        | 1-104891-0          |
|     | [2.562] | [2.522] | [2.815] | [2.665] |            |                     |
| 3   | 58.73   | 57.71   | 65.15   | 61.34   | 90         | <del>104891-9</del> |
|     | [2.312] | [2.272] | [2.565] | [2.415] |            |                     |
| 80  | 52.38   | 51.36   | 58.80   | 54.99   | 80         | 104891-8            |
|     | [2.062] | [2.022] | [2.315] | [2.165] |            |                     |
| 70  | 46.03   | 45.01   | 52.45   | 48.64   | 70         | 104891-7            |
|     | [1.812] | [1.772] | [2.065] | [1.915] |            |                     |
| 60  | 39.68   | 38.66   | 46.10   | 42.29   | 60         | 104891-6            |
|     | [1.562] | [1.522] | [1.815] | [1.665] |            |                     |
| 50  | 33.33   | 32.31   | 39.75   | 35.94   | 50         | 104891-5            |
|     | [1.312] | [1.272] | [1.565] | [1.415] |            |                     |
| 40  | 26.98   | 25.96   | 33.82   | 29.59   | 40         | 104891-4            |
|     | [1.062] | [1.022] | [1.315] | [1.165] |            |                     |
| 30  | 20.63   | 19.61   | 27.05   | 23.24   | 30         | 104891-3            |
|     | [.812]  | [.772]  | [1.065] | [.915]  |            |                     |
| 20  | 14.28   | 13.26   | 20.70   | 16.89   | 20         | 104891-2            |
|     | [.562]  | [.522]  | [.815]  | [.665]  |            |                     |
| 10  | 7.92    | 6.91    | 14.35   | 10.54   | 10         | 104891-1            |
|     | [.312]  | [.272]  | [.565]  | [.415]  |            |                     |
|     | D       | C       | B       | A       | NO OF POSN | PART NUMBER         |

THIS DRAWING IS A CONTROLLED DOCUMENT.

|   |  |                                  |           |  |           |             |            |  |                  |
|---|--|----------------------------------|-----------|--|-----------|-------------|------------|--|------------------|
| DIMENSIONS: mm [INCHES]   | TOLERANCES UNLESS OTHERWISE SPECIFIED: | 0 PLC ± -                        | 1 PLC ± - | 2 PLC ± 0.36[.015]                                   | 3 PLC ± - | 4 PLC ± -   | ANGLES ± - | FINISH -   |                  |
| DIM: L. CASTAGNA 23JUN93<br>CHK: J. HERRINGTON 24JUN93<br>APVD: J. HERRINGTON 24JUN93 |  | NAME: <b>STE</b> TE Connectivity |           | PRODUCT SPEC: 108-1443<br>APPLICATION SPEC: 114-7010 |           |             |            | SIZE: A1<br>CAGE CODE: 00779<br>DRAWING NO: 104891 | RESTRICTED TO: - |
| MATERIAL: 1   |  | WEIGHT: -                        |           | CUSTOMER DRAWING                                     |           | SCALE: 10:1 |            | SHEET: 1 OF 1                                      | REV: C2          |

## X-ON Electronics

Largest Supplier of Electrical and Electronic Components

*Click to view similar products for [Headers & Wire Housings](#) category:*

*Click to view products by [TE Connectivity](#) manufacturer:*

Other Similar products are found below :

[892-18-020-10-001101](#) [58102-G61-06LF](#) [582553-1](#) [0009485154](#) [009176003701906](#) [0050291907](#) [LY20-4P-DT1-P1E-BR](#) [02.125.8002.8](#)  
[609-3404](#) [61062-3](#) [61082-181009](#) [622-3653LF](#) [63453-116](#) [636-1030](#) [636-1427](#) [636-3427](#) [636-4007](#) [641938-9](#) [641991-4](#) [644827-2](#) [65817-](#)  
[010LF](#) [65817-015LF](#) [65863-015LF](#) [66207-023LF](#) [67095-007LF](#) [67601157](#) [68645-018](#) [68648-049](#) [70.362.1628.0](#) [70-4210](#) [70-4226B](#) [70-](#)  
[4853B](#) [707-5020](#) [707-5028](#) [71.350.2428.0](#) [71918-208LF](#) [71961-016LF](#) [733-134](#) [733-162](#) [754199-000](#) [760-3052](#) [787-8014-00](#) [79531-3000](#)  
[FCN-360C032-B](#) [FCN-367T-T012/H](#) [FCN-723D010/2](#) [80.063.4001.1](#) [800-90-001-10-001000](#) [800-90-010-10-002000](#) [801-43-002-10-013000](#)