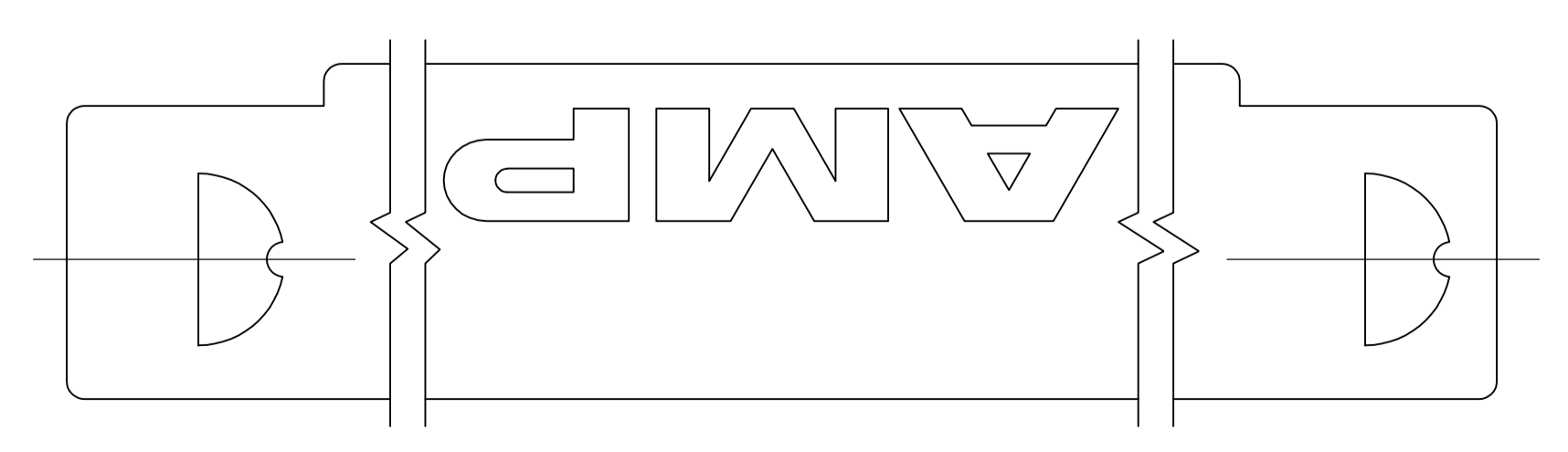
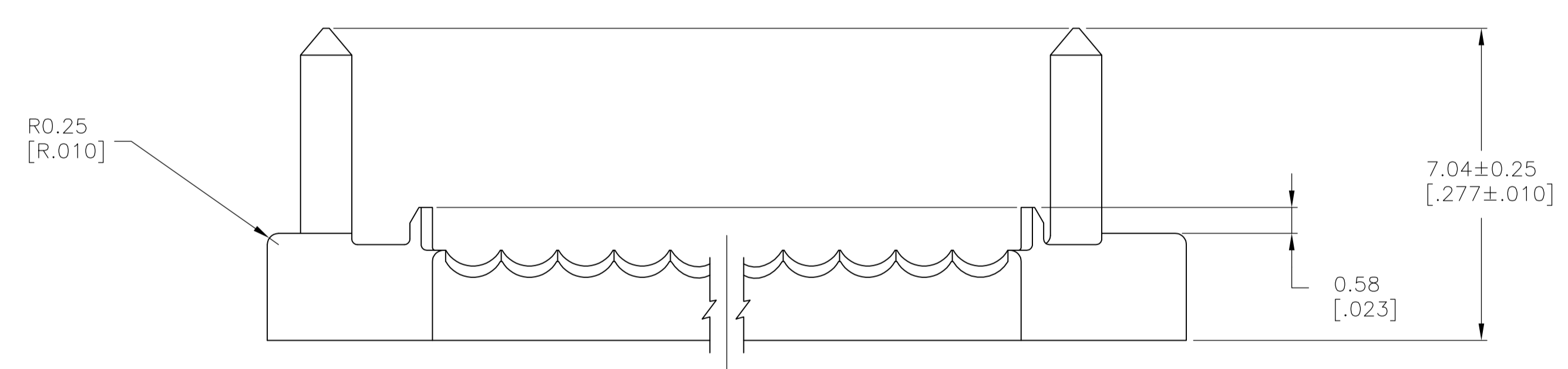
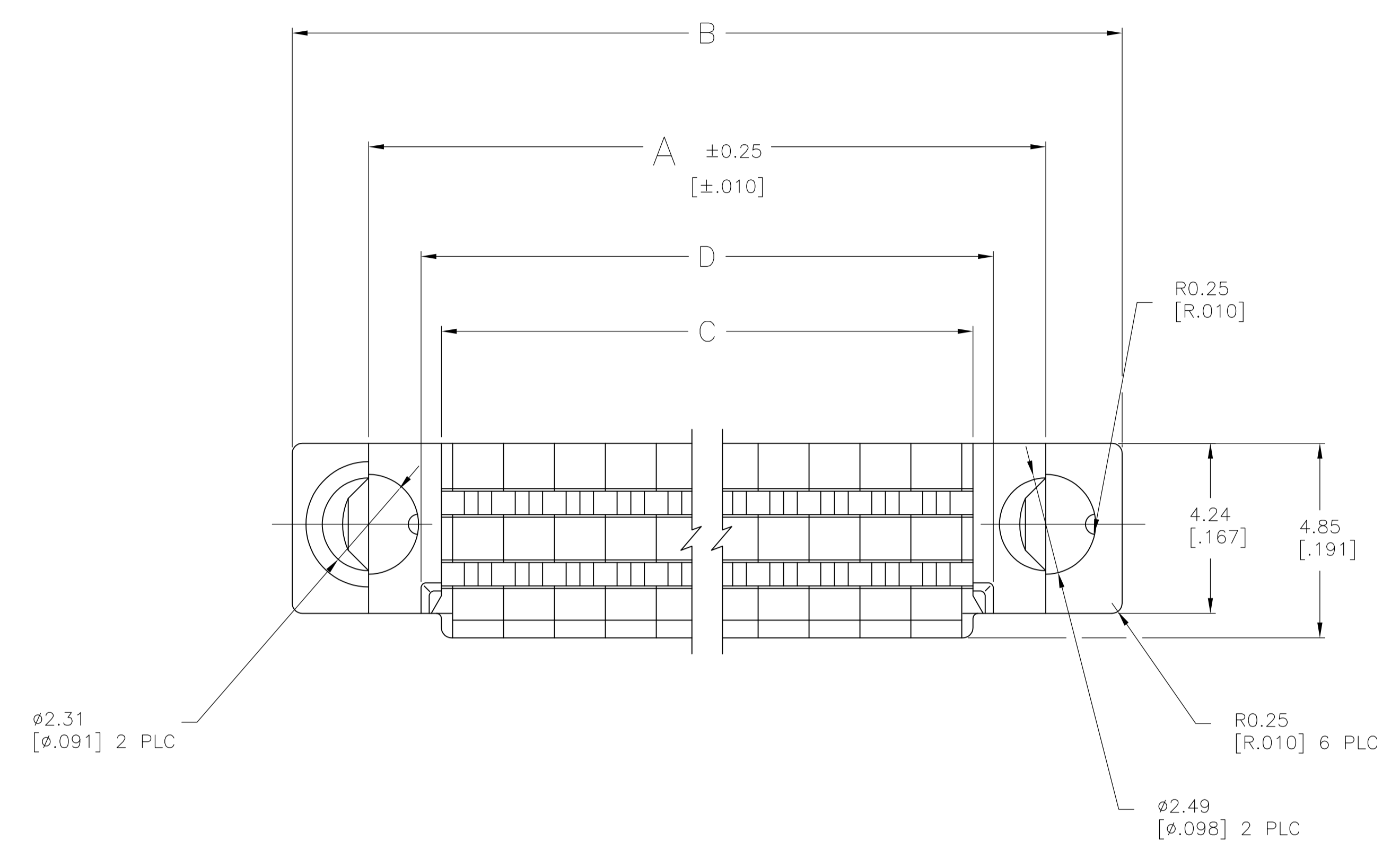


- 1 MATERIAL: POLYESTER, BLACK.
- 2 OBSOLETE PART NUMBER.
- 3 OBSOLETE PARTS: OBSOLETE CIS STREAMLINING PER D.RENAUD/D.SINISI



2	44.76	43.74	51.18	47.37	68	1-104891-1
	[1.762]	[1.722]	[2.015]	[1.865]		
100	65.08	64.06	71.50	67.69	100	1-104891-0
	[2.562]	[2.522]	[2.815]	[2.665]		
3	58.73	57.71	65.15	61.34	90	104891-9
	[2.312]	[2.272]	[2.565]	[2.415]		
80	52.38	51.36	58.80	54.99	80	104891-8
	[2.062]	[2.022]	[2.315]	[2.165]		
70	46.03	45.01	52.45	48.64	70	104891-7
	[1.812]	[1.772]	[2.065]	[1.915]		
60	39.68	38.66	46.10	42.29	60	104891-6
	[1.562]	[1.522]	[1.815]	[1.665]		
50	33.33	32.31	39.75	35.94	50	104891-5
	[1.312]	[1.272]	[1.565]	[1.415]		
40	26.98	25.96	33.82	29.59	40	104891-4
	[1.062]	[1.022]	[1.315]	[1.165]		
30	20.63	19.61	27.05	23.24	30	104891-3
	[.812]	[.772]	[1.065]	[.915]		
20	14.28	13.26	20.70	16.89	20	104891-2
	[.562]	[.522]	[.815]	[.665]		
10	7.92	6.91	14.35	10.54	10	104891-1
	[.312]	[.272]	[.565]	[.415]		
	D	C	B	A	NO OF POSN	PART NUMBER

THIS DRAWING IS A CONTROLLED DOCUMENT.		DIN L. CASTAGNA 23JUN93	TE Connectivity	
DIMENSIONS: mm [INCHES]		CJK J. HERRINGTON 24JUN93		
TOLERANCES UNLESS OTHERWISE SPECIFIED:		APVD J. HERRINGTON 24JUN93	NAME	
0 PLC ± -	1 PLC ± -	TERMINATING COVER		
2 PLC ± 0.36[.015]	3 PLC ± -	AMPMODU 50/50 GRID		
4 PLC ± -	ANGLES ± -	PRODUCT SPEC		
MATERIAL		APPLICATION SPEC		
FINISH		114-7010		
1		WEIGHT	SIZE	CAGE CODE
			A1	00779
		DRAWING NO		RESTRICTED TO
		C=104891		
		CUSTOMER DRAWING		SCALE 10:1 SHEET 1 OF 1 REV C2

X-ON Electronics

Largest Supplier of Electrical and Electronic Components

Click to view similar products for [Headers & Wire Housings](#) category:

Click to view products by [TE Connectivity](#) manufacturer:

Other Similar products are found below :

[892-18-020-10-001101](#) [58102-G61-06LF](#) [582553-1](#) [0009485154](#) [009176003701906](#) [0050291907](#) [LY20-4P-DT1-P1E-BR](#) [02.125.8002.8](#)
[609-3404](#) [61062-3](#) [61082-181009](#) [622-3653LF](#) [63453-116](#) [636-1030](#) [636-1427](#) [636-3427](#) [636-4007](#) [641938-9](#) [641991-4](#) [644827-2](#) [65817-](#)
[010LF](#) [65817-015LF](#) [65863-015LF](#) [66207-023LF](#) [67095-007LF](#) [67601157](#) [68645-018](#) [68648-049](#) [70.362.1628.0](#) [70-4210](#) [70-4226B](#) [70-](#)
[4853B](#) [707-5020](#) [707-5028](#) [71.350.2428.0](#) [71918-208LF](#) [71961-016LF](#) [733-134](#) [733-162](#) [754199-000](#) [760-3052](#) [787-8014-00](#) [79531-3000](#)
[FCN-360C032-B](#) [FCN-367T-T012/H](#) [FCN-723D010/2](#) [80.063.4001.1](#) [800-90-001-10-001000](#) [800-90-010-10-002000](#) [801-43-002-10-013000](#)