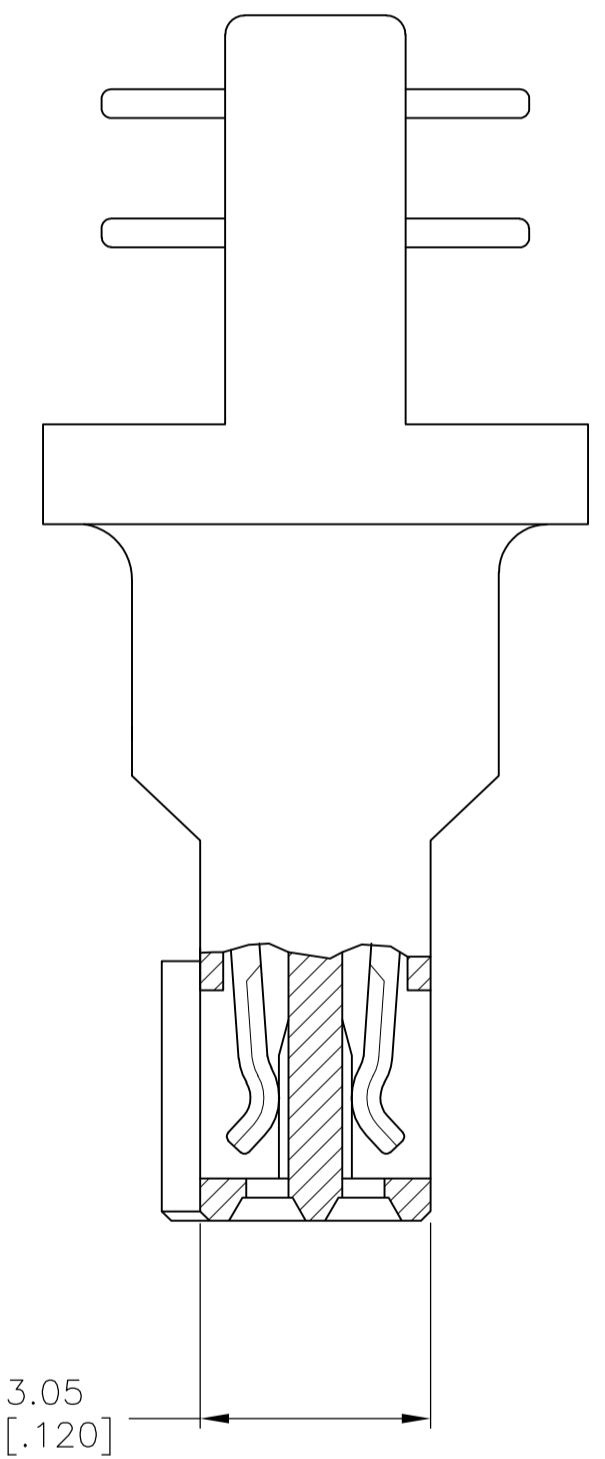


- 1 MATERIAL:  
RECEPTACLE CONTACTS- PHOSPHOR BRONZE  
RECEPTACLE HOUSING: LCP; BLACK  
TERMINATING COVERS: POLYESTER; BLACK
- 2 PLATING:  
RECEPTACLE CONTACTS- 0.00076 [.000030] MINIMUM GOLD PLATE IN CONTACT AREA,  
0.00127 [.000050] MINIMUM BRIGHT TIN-LEAD PLATE IN TERMINATION AREA,  
ALL OVER 0.00127 [.000050] MINIMUM NICKEL
- 3. RECOMMENDED WIRE:  
28 AWG- 0.91 [.036] MAX O.D. PVC OR POLYETHYLENE INSULATION.
- 4. SHORT-LONG CONTACT SEQUENCE MUST ALTERNATE BUT MAY BEGIN WITH EITHER  
A SHORT OR LONG CONTACT.
- 5 OBSOLETE PART NUMBER.
- 6 PLATING:  
RECEPTACLE CONTACTS- 0.00076 [.000030] MINIMUM GOLD PLATE IN CONTACT AREA,  
0.00127 [.000050] MINIMUM TIN PLATE IN TERMINATION AREA,  
ALL OVER 0.00127 [.000050] MINIMUM NICKEL.
- 7. TERMINATION COVERS MUST BE ORDERED SEPARATELY.
- 8 ROHS 2002/95/EC COMPLIANT.
- 9 OBSOLETE PARTS: OBSOLETE CIS STREAMLINING PER D.RENAUD/D.SINISI



9 OBSOLETE

	71.83 [2.828]	63.91 [2.516]	62.23 [2.450]	49	100	6-104893-0
	65.48 [2.578]	57.56 [2.266]	55.58 [2.200]	44	90	5-104893-9
	59.13 [2.328]	51.21 [2.016]	49.53 [1.950]	39	80	5-104893-8
	52.78 [2.078]	44.86 [1.766]	43.18 [1.700]	34	70	5-104893-7
	46.43 [1.828]	38.51 [1.516]	36.83 [1.450]	29	60	5-104893-6
	40.08 [1.578]	32.16 [1.266]	30.48 [1.200]	24	50	5-104893-5
	33.73 [1.328]	25.81 [1.016]	24.13 [.950]	19	40	5-104893-4
	27.38 [1.078]	19.46 [.766]	17.78 [.700]	14	30	5-104893-3
	21.03 [.828]	13.11 [.516]	11.43 [.450]	9	20	5-104893-2
	14.68 [.578]	6.76 [.266]	5.08 [.200]	4	10	5-104893-1
	76.96 [3.030]	43.59 [1.716]	41.91 [1.650]	33	68	1-104893-1
	71.83 [2.828]	63.91 [2.516]	62.23 [2.450]	49	100	1-104893-0
	65.48 [2.578]	57.56 [2.266]	55.58 [2.200]	44	90	104893-9
	59.13 [2.328]	51.21 [2.016]	49.53 [1.950]	39	80	104893-8
	52.78 [2.078]	44.86 [1.766]	43.18 [1.700]	34	70	104893-7
	46.43 [1.828]	38.51 [1.516]	36.83 [1.450]	29	60	104893-6
	40.08 [1.578]	32.16 [1.266]	30.48 [1.200]	24	50	104893-5
	33.73 [1.328]	25.81 [1.016]	24.13 [.950]	19	40	104893-4
	27.38 [1.078]	19.46 [.766]	17.78 [.700]	14	30	104893-3
	21.03 [.828]	13.11 [.516]	11.43 [.450]	9	20	104893-2
	14.68 [.578]	6.76 [.266]	5.08 [.200]	4	10	104893-1
FINISH	D	C	B	A	NO OF POSN	PART NO

9 OBSOLETE

2

THIS DRAWING IS A CONTROLLED DOCUMENT. **STE** TE Connectivity

DIMENSIONS: mm [INCHES]	TOLERANCES UNLESS OTHERWISE SPECIFIED: 0 PLC ± - 1 PLC ± - 2 PLC ± 0.36 [.015] 3 PLC ± - 4 PLC ± - ANGLES ± -	APPROVED D. DUPLER 108-1443 APPLICATION SPEC 114-7010	DATE 24-6-93	NAME AMPMODU 50/50 GRID CABLE CONN. ASSY	RESTRICTED TO
MATERIAL 1	FINISH SEE TABLE	WEIGHT -	SCALE A1 00779 104893	CUSTOMER DRAWING	SCALE 10:1 SHEET 1 OF 1 REV H

## X-ON Electronics

Largest Supplier of Electrical and Electronic Components

*Click to view similar products for [Headers & Wire Housings](#) category:*

*Click to view products by [TE Connectivity](#) manufacturer:*

Other Similar products are found below :

[892-18-020-10-001101](#) [58102-G61-06LF](#) [582553-1](#) [0009485154](#) [009176003701906](#) [0050291907](#) [LY20-4P-DT1-P1E-BR](#) [02.125.8002.8](#)  
[609-3404](#) [61062-3](#) [61082-181009](#) [622-3653LF](#) [63453-116](#) [636-1030](#) [636-1427](#) [636-3427](#) [636-4007](#) [641938-9](#) [641991-4](#) [644827-2](#) [65817-010LF](#) [65817-015LF](#) [65863-015LF](#) [66207-023LF](#) [67095-007LF](#) [67601157](#) [68645-018](#) [68648-049](#) [70.362.1628.0](#) [70-4210](#) [70-4226B](#) [70-4853B](#) [707-5020](#) [707-5028](#) [71.350.2428.0](#) [71918-208LF](#) [71961-016LF](#) [733-134](#) [733-162](#) [754199-000](#) [760-3052](#) [787-8014-00](#) [79531-3000](#)  
[FCN-360C032-B](#) [FCN-367T-T012/H](#) [FCN-723D010/2](#) [80.063.4001.1](#) [800-90-001-10-001000](#) [800-90-010-10-002000](#) [801-43-002-10-013000](#)