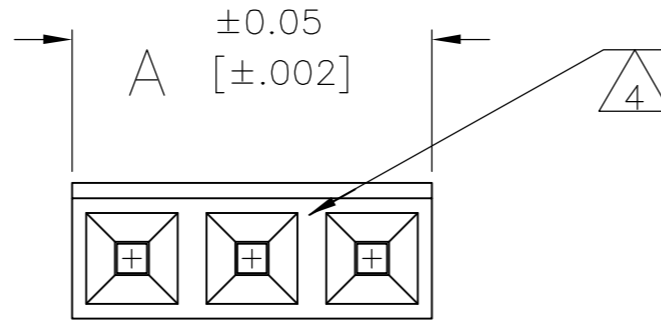
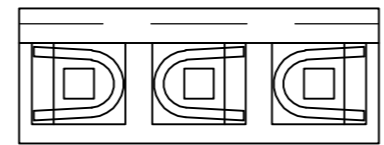
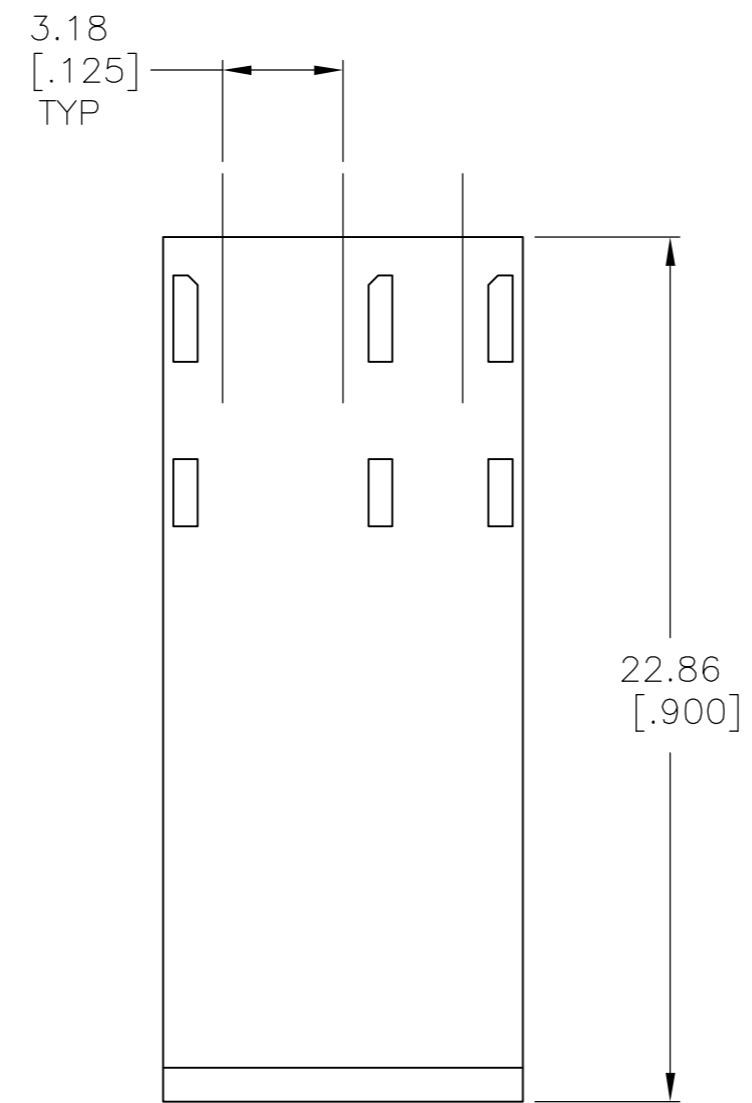
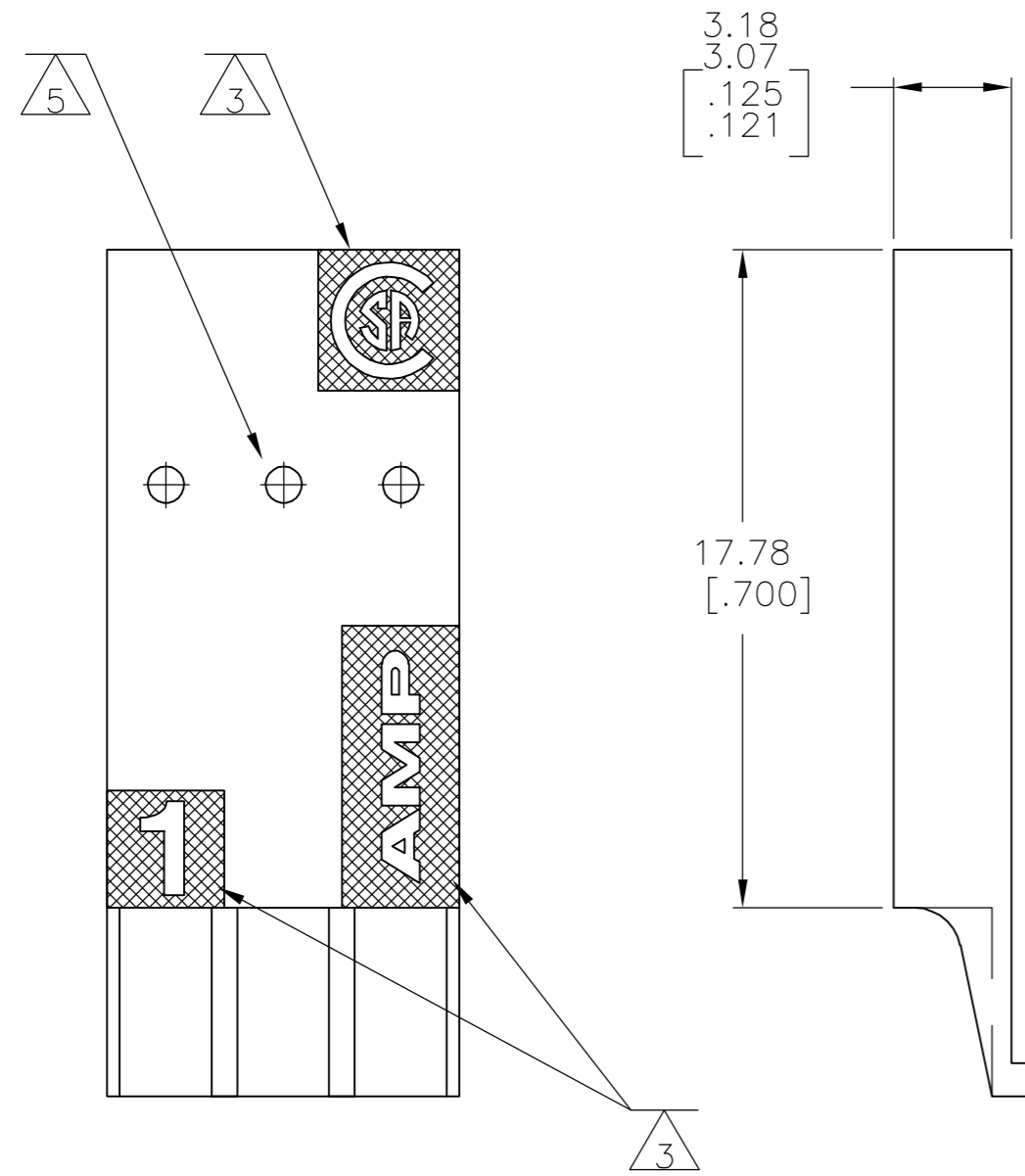


THIS DRAWING IS UNPUBLISHED. RELEASED FOR PUBLICATION
 © COPYRIGHT BY TYCO ELECTRONICS CORPORATION. ALL RIGHTS RESERVED.

Loc		DIST		REVISIONS			
P	LTR	DESCRIPTION	DATE	DWN	APVD		
	D1	REVISED PER ECO-06-005256	8SEP06	GS	EN		



- THREE POSITION AS SHOWN, SEE TABLE FOR TWO POSITION DIMENSIONS.
- HOUSING WILL ACCEPT LOCKING CLIP .025 SQR. CONTACTS.
- CHARACTERS MOLDED IN TEXTURED AREA, AREA RAISED .0003-.0007.
- MOLD GATE AREA, RECESSED.
- OPTIONAL, AT MOLDERS DISCRETION. FLASH PERMISSIBLE.



CONTACTS SHOWN FOR ORIENTATION REF. ONLY

9.47 [.373]	3	104905-2
6.30 [.248]	2	104905-1
A	NO OF POSN.	PART NUMBER

THIS DRAWING IS A CONTROLLED DOCUMENT.		DWN	S. SHUEY	11APR94	Tyco Electronics Corporation Harrisburg, Pa 17105-3608
DIMENSIONS: mm [INCHES]		CHK	S. SHUEY	11APR94	
TOLERANCES UNLESS OTHERWISE SPECIFIED:		APVD	D. DUPLER	11APR94	
0 PLC ± - 1 PLC ± - 2 PLC ± 0.13[.005] 3 PLC ± - 4 PLC ± - ANGLES ± - FINISH -		PRODUCT SPEC	108-36028	NAME	
MATERIAL: GLASS FILLED POLYESTER COLOR-GRAY		APPLICATION SPEC	114-25006	SIZE	A2
		WEIGHT	-	CAGE CODE	00779
		CUSTOMER DRAWING		DRAWING NO	C=104905
				RESTRICTED TO	-
				SCALE	5:1
				SHEET	1 OF 1
				REV	D1

X-ON Electronics

Largest Supplier of Electrical and Electronic Components

Click to view similar products for [Headers & Wire Housings](#) category:

Click to view products by [TE Connectivity](#) manufacturer:

Other Similar products are found below :

[892-18-020-10-001101](#) [58102-G61-06LF](#) [582553-1](#) [0009485154](#) [009176003701906](#) [0050291907](#) [LY20-4P-DT1-P1E-BR](#) [02.125.8002.8](#)
[609-3404](#) [61062-3](#) [61082-181009](#) [622-3653LF](#) [63453-116](#) [636-1030](#) [636-1427](#) [636-3427](#) [636-4007](#) [641938-9](#) [641991-4](#) [644827-2](#) [65817-010LF](#) [65817-015LF](#) [65863-015LF](#) [66207-023LF](#) [67095-007LF](#) [67601157](#) [68645-018](#) [68648-049](#) [70.362.1628.0](#) [70-4210](#) [70-4226B](#) [70-4853B](#) [707-5020](#) [707-5028](#) [71.350.2428.0](#) [71918-208LF](#) [71961-016LF](#) [733-134](#) [733-162](#) [754199-000](#) [760-3052](#) [787-8014-00](#) [79531-3000](#)
[FCN-360C032-B](#) [FCN-367T-T012/H](#) [FCN-723D010/2](#) [80.063.4001.1](#) [800-90-001-10-001000](#) [800-90-010-10-002000](#) [801-43-002-10-013000](#)