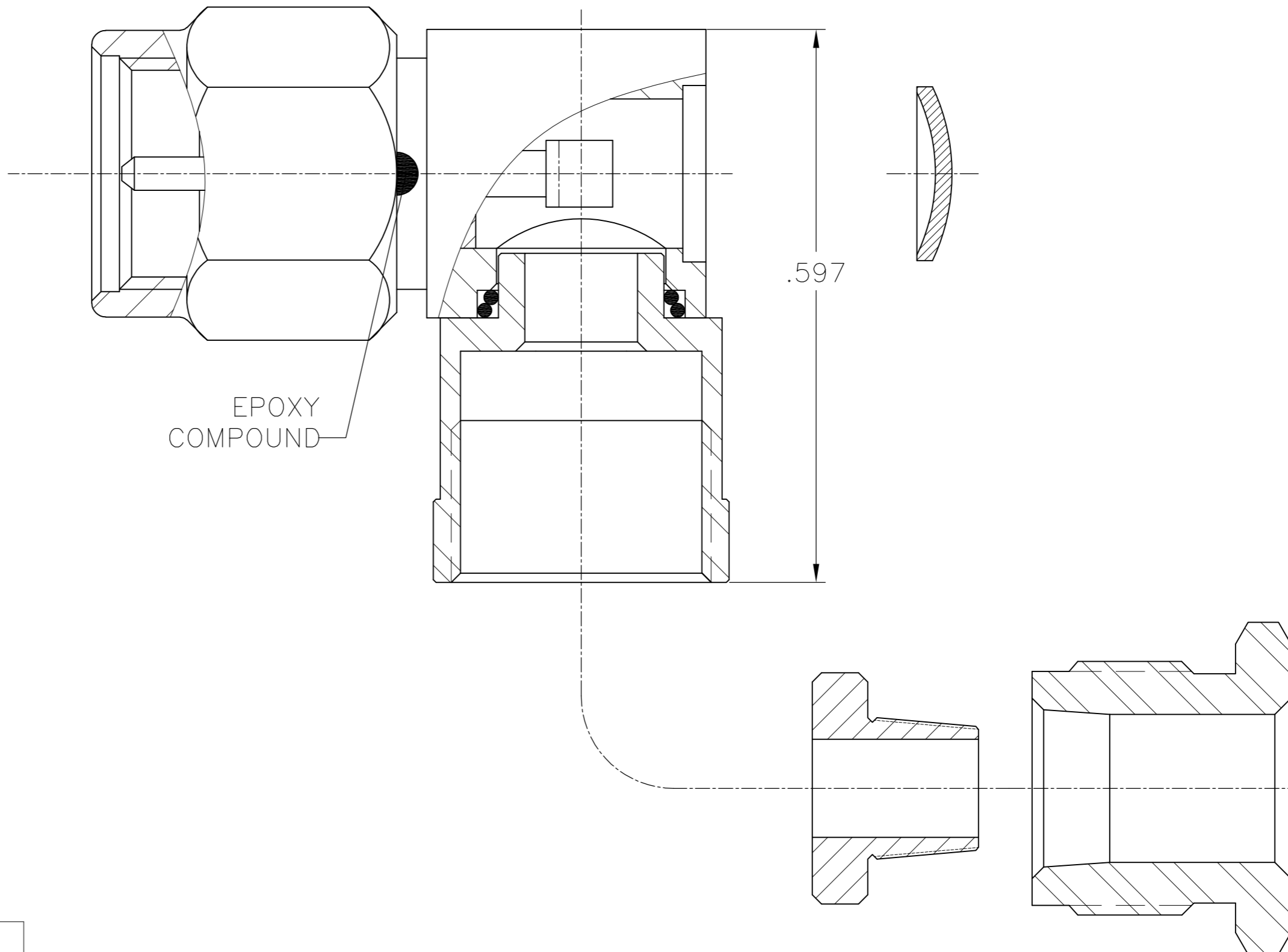


THIS DRAWING IS UNPUBLISHED. RELEASED FOR PUBLICATION
 © COPYRIGHT - By - ALL RIGHTS RESERVED.

LOC		DIST		REVISIONS			
P	LTR	DESCRIPTION	DATE	DWN	APVD		
	B	ECO-11-003677	21APR2011	RZ	YM		

- 1 BRASS
- 2 BERYLLIUM COPPER
- 3 PTFE
- 4 GOLD PLATE
- 5 STAINLESS STEEL
- 6 PASSIVATE
- 7 SILICONE RUBBER

DESIGNED FOR USE WITH
RG-180/U & 190 CABLE



ELECTRICAL	MECHANICAL	ENVIRONMENTAL
Nominal Impedance (Ohms) 50	Interface Dimensions MIL-STD-348A, Fig. 310.1	TEMPERATURE RATING -65° TO +165°
Frequency Range (GHz) DC to 12.4	Recommended Mating Torque 7-10 In-Lbs	Vibration MIL-STD-202, Method 204, Condition D
Volt Rating (VRMS MAX) @ Sea Level 335	Mating Characteristics:	Shock MIL-STD-202, Method 213, Condition I
VSWR 1.15 + .01f(GHz)	Insertion (MAX Lbs) N/A	Thermal Shock MIL-STD-202, Method 107, Condition B
Insertion Loss (dB MAX) .06 f(GHz)	Withdrawal (MIN Oz) N/A	Moisture Resistance MIL-STD-202, Method 106
RF Leakage (dB MIN) -[60-f(GHz)]	Force to Engage and Disengage (In-Lbs MAX) 2	Corrosion - MIL-STD-202, Method 101, Condition B, 5% salt spray
Corona, 70,000 Ft (VRMS MIN) 250	Center Contact Captivation	.XXX = in
Dielectric Withstanding Voltage (VRMS MIN) @ Sea Level 1,000	Axial (Lbs) 6 Min	XX.X = mm
Contact Resistance (Milliohms MAX)	Radial (In-Dz) N/A	THE QUALIFICATION TESTING HAVE NOT BEEN COMPLETED.
Center Contact 3.0	Cable Retention	
Outer Contact 2.0	Axial Force (Lbs) 45 MIN	
Cable to Housing 0.5	Torque (In-Oz) N/A	
RF High Potential @ Sea Level (VRMS MIN @ 5 MHz) 670	Weight (Grams) TBD	
I.R.(Megohms MIN) 5,000		

5 6	5 6	5 6	1 4	1 4	3	2	1	5 6	1051144-1
HOUSING	CAP	CLAMP NUT	COLLAR	MALE CONTACT	DIELECTRIC	RETAINING RING	GASKET	COUPLING NUT	PART NO.
THIS DRAWING IS A CONTROLLED DOCUMENT.					DWN TITAN DAI 21APR2011				
DIMENSIONS: INCHES					CHK RITA ZUO 21APR2011				
TOLERANCES UNLESS OTHERWISE SPECIFIED:					APVD MARTIN YE 21APR2011	NAME OSM RIGHT ANGLE CABLE PLUG CLAMP ATTACHMENT			
0 PLC ± -					PRODUCT SPEC	SIZE CAGE CODE DRAWING NO RESTRICTED TO			
1 PLC ± -					APPLICATION SPEC	A2 00779 C=1051144			
2 PLC ± -					WEIGHT 408-4965	SCALE 8:1 SHEET 1 OF 1 REV B			
3 PLC ± .010					CUSTOMER DRAWING				
4 PLC ± -									
ANGLES ± -									
FINISH									

X-ON Electronics

Largest Supplier of Electrical and Electronic Components

Click to view similar products for te connectivity manufacturer:

Other Similar products are found below :

[570416-000](#) [CLTEQ-M81CE-SSRELAY-4-20V](#) [4-1633138-8](#) [D38999/24FJ4AN](#) [4-1195131-0](#) [650069-000](#) [SMD100-2](#) [2EDL4CM](#)
[DTS20W19-11PD-3028](#) [DTS20W19-11PD-3028-LC](#) [DTS20W19-32SD-3028-LC](#) [DTS20W19-32SD-3028](#) [NC6-P104-06](#) [TXR64AB90-](#)
[3616AI](#) [DTS26F21-41HE](#) [DTS26F21-41AE](#) [DTS26F21-41PE-LC](#) [DTS26F21-11SE-3028-LC](#) [D38999/24WF32JE](#) [D38999/24WF32SE-LC](#)
[DTS24W19-32HE](#) [D38999/20JB35HA](#) [D38999/24WJ20PA](#) [164-8033-08](#) [D38999/24FF32JE](#) [D38999/24FF32SE-LC](#) [D38999/24WF32JB](#)
[D38999/24WG11HA](#) [D38999/24WG11HN](#) [MS27467T21F11H](#) [DJT16E21-11HA](#) [DTS24F19-32HE](#) [DTS20W19-32SA-3028-LC](#) [DTS24F19-](#)
[11SC-3028-LC](#) [DTS24F19-11SC-3028](#) [DJT14E13-98HB](#) [D38999/20WC8BB](#) [1-330599-5](#) [DTS24F21-41HN-LC](#) [DTS24F21-41HN](#)
[DTS24F21-41AN](#) [DTS24F21-39HN](#) [DTS24F21-41PN-LC](#) [AFD50-10-6SN-1A-LC](#) [DJT10F17-26HC](#) [DTS24W19-32HB](#) [ACT20JE99HA](#)
[DJT10E17-26HC](#) [DJT10E17-26HN](#) [DJT10F17-26HA](#)