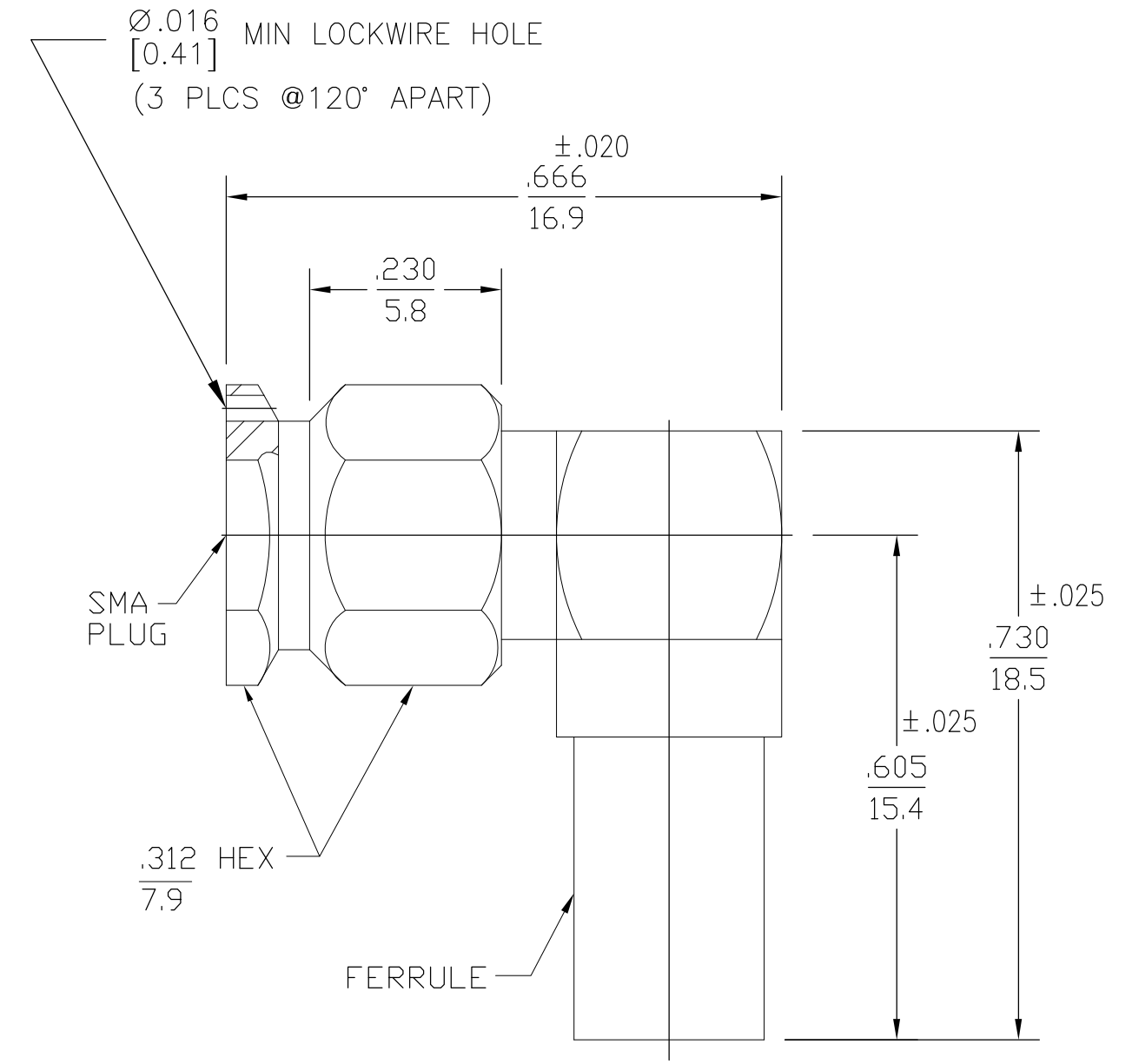


THIS DRAWING IS UNPUBLISHED.		RELEASED FOR PUBLICATION	
© COPYRIGHT - By -		ALL RIGHTS RESERVED.	
HOUSING CAP COUPLING NUT	STAINLESS STEEL PER ASTM-A484 AND ASTM- A582, TYPE 303	PASSIVATE PER QQ-P-35	
DIELECTRIC	TFE FLUOROCARBON PER ASTM-D-1457	N/A	
CENTER CONTACT	BRASS PER ASTM-B-16 HALF HARD	GOLD PLATE PER MIL-G-45204	
RETAINING RING	BERYLLIUM COPPER PER ASTM-B-194, ALLOY C17200, CONDITION H	N/A	
GASKET	SILICONE RUBBER PER ZZ-R-765	N/A	
FERRULE	COPPER OR BRASS ALLOY ROCKWELL F65 MAXIMUM	GOLD PLATE PER MIL-G-45204	
COMPONENT	MATERIAL	FINISH	

LOC	DIST	REVISIONS					
-	-	P	LTR	DESCRIPTION	DATE	DWN	APVD
		C		REV PER ECO-12-018918	15NOV12	PY	DW



1. CAPTURED CENTER CONTACT

1052157-1
PART NO.

DESIGNED FOR USE WITH RG-174, 316/U	
CABLE ENTRY DIAMETER MINIMUM	
SLEEVE	.125
HOUSING	.066
CONTACT	.041 SLOT

THIS DRAWING IS A CONTROLLED DOCUMENT.		DWN P. YEAGER 05JUN2007	STE TE Connectivity	
DIMENSIONS: INCHES		CHK D. WILSON 07JUN07		
TOLERANCES UNLESS OTHERWISE SPECIFIED:		APVD D. WILSON 07JUN07	NAME	
0 PLC ± -		PRODUCT SPEC	SMA RIGHT ANGLE CABLE PLUG SOLDER ATTACHMENT M39012/56-3012 CAT B	
1 PLC ± -		APPLICATION SPEC	SIZE	CAGE CODE
2 PLC ± -		WEIGHT	A3	00779
3 PLC ± .005 [0.13]		CUSTOMER DRAWING	DRAWING NO C-1052157	
4 PLC ± -			SCALE	SHEET
ANGLES ± 1°			5:1	1 OF 1
MATERIAL SEE TABLE	FINISH SEE TABLE		RESTRICTED TO	REV C

X-ON Electronics

Largest Supplier of Electrical and Electronic Components

Click to view similar products for [RF Connectors / Coaxial Connectors](#) category:

Click to view products by [TE Connectivity](#) manufacturer:

Other Similar products are found below :

[8915-1511-000](#) [89674-0827](#) [6001-7071-019](#) [6002-7051-003](#) [6002-7551-202](#) [6059674-1](#) [619550-1](#) [630059-000](#) [M39030/3-01N](#) [6500-7071-046](#) [6769](#) [CX050L2AQ](#) [7002-1541-010](#) [7002-1542-011](#) [7004-1512-000](#) [7009-1511-004](#) [7010-1511-000](#) [7029-1511-060](#) [7101-1541-010](#) [7101-1571-002](#) [7105-1521-002](#) [7145-1521-002](#) [7203-1571-003](#) [7209-1511-011](#) [7210-1511-015](#) [7210-1511-019](#) [73137-5015](#) [73216-2241](#) [73404-2300](#) [7405-1521-005](#) [7405-1521-802](#) [8527](#) [8547](#) [FS11V](#) [877931](#) [9049-9513-000](#) [9074-9513-000](#) [9101-9573-002](#) [910A205F](#) [9130-9573-002](#) [PL11SC-026](#) [PL375-33](#) [PL40-5](#) [PL74C-221](#) [PL75MC-217](#) [PL803-7](#) [1200690078](#) [1-201144-1](#) [R107003010W](#) [R110A172100](#)