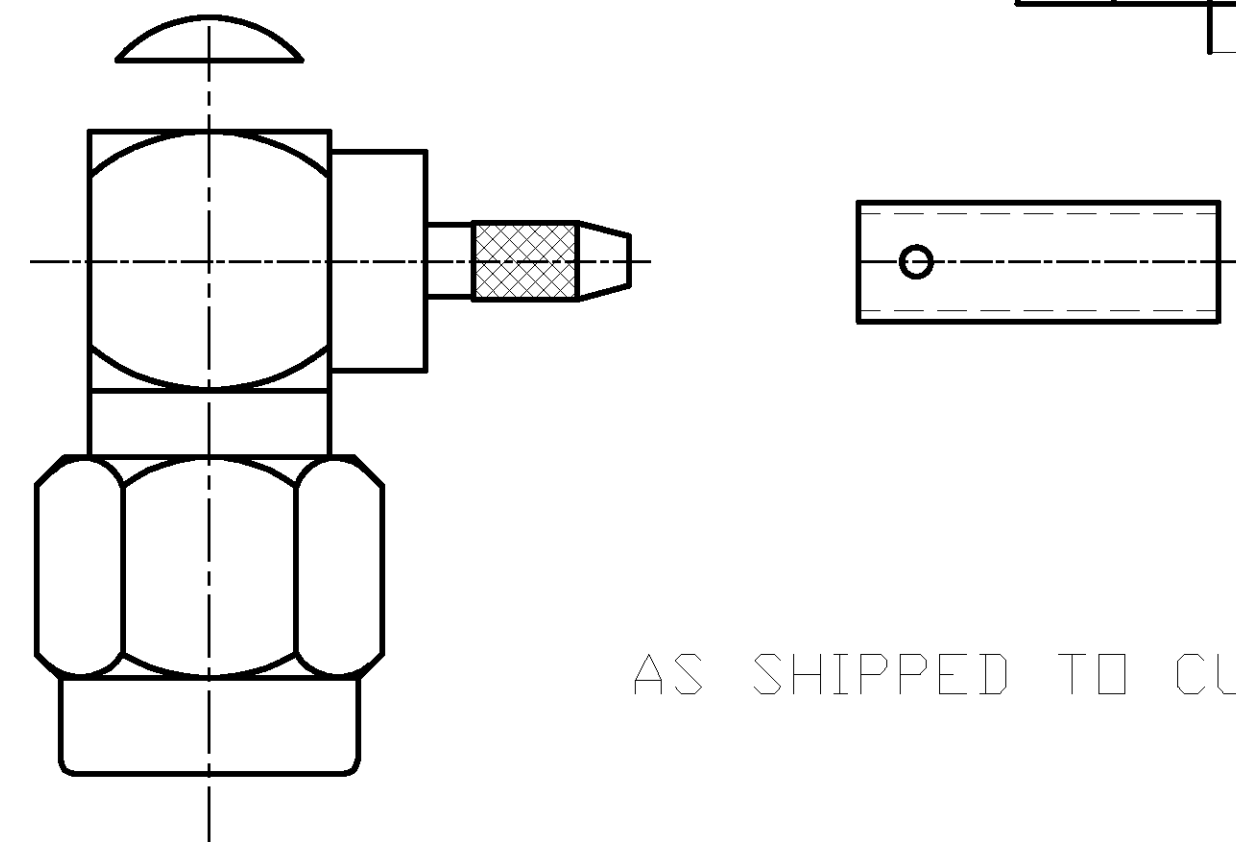


THIS DRAWING IS UNPUBLISHED. RELEASED FOR PUBLICATION N/A, N/A
 © COPYRIGHT N/A BY TYCO ELECTRONICS CORPORATION. ALL RIGHTS RESERVED.

| LOC | | DIST | | REVISIONS | | | |
|-----|-----|-------------|----------|-----------|------|----|--|
| P | LTR | DESCRIPTION | DATE | DWN | APVD | | |
| DF | XO | | | | | | |
| | | O | RELEASED | 9-02 | JMK | JL | |

| COMPONENT | MATERIAL | FINISH |
|----------------|---|----------------------------|
| COUPLING NUT | STAINLESS STEEL PER ASTM-A-484 OR ASTM-A-582 TYPE 303 | PASSIVATED PER ASTM-A-380 |
| DIELECTRIC | PTFE FLUOROCARBON PER ASTM-D-1457 | |
| CENTER CONTACT | BRASS PER ASTM-B-16 HALF HARD | GOLD PLATED PER ASTM-B-488 |
| HOUSING CAP | STAINLESS STEEL PER ASTM-A-484 OR ASTM-A-582 TYPE 303 | GOLD PLATED PER ASTM-B-488 |
| GASKET | SILICONE RUBBER PER ZZ-R-765 | |
| FERRULE | COPPER OR BRASS ALLOY, ROCKWELL F65 MAX | GOLD PLATED PER ASTM-B-488 |
| RETAINING RING | BERYLLIUM COPPER PER ASTM-B-194 ALLOY C17200, CONDITION H | |
| | | |
| | | |

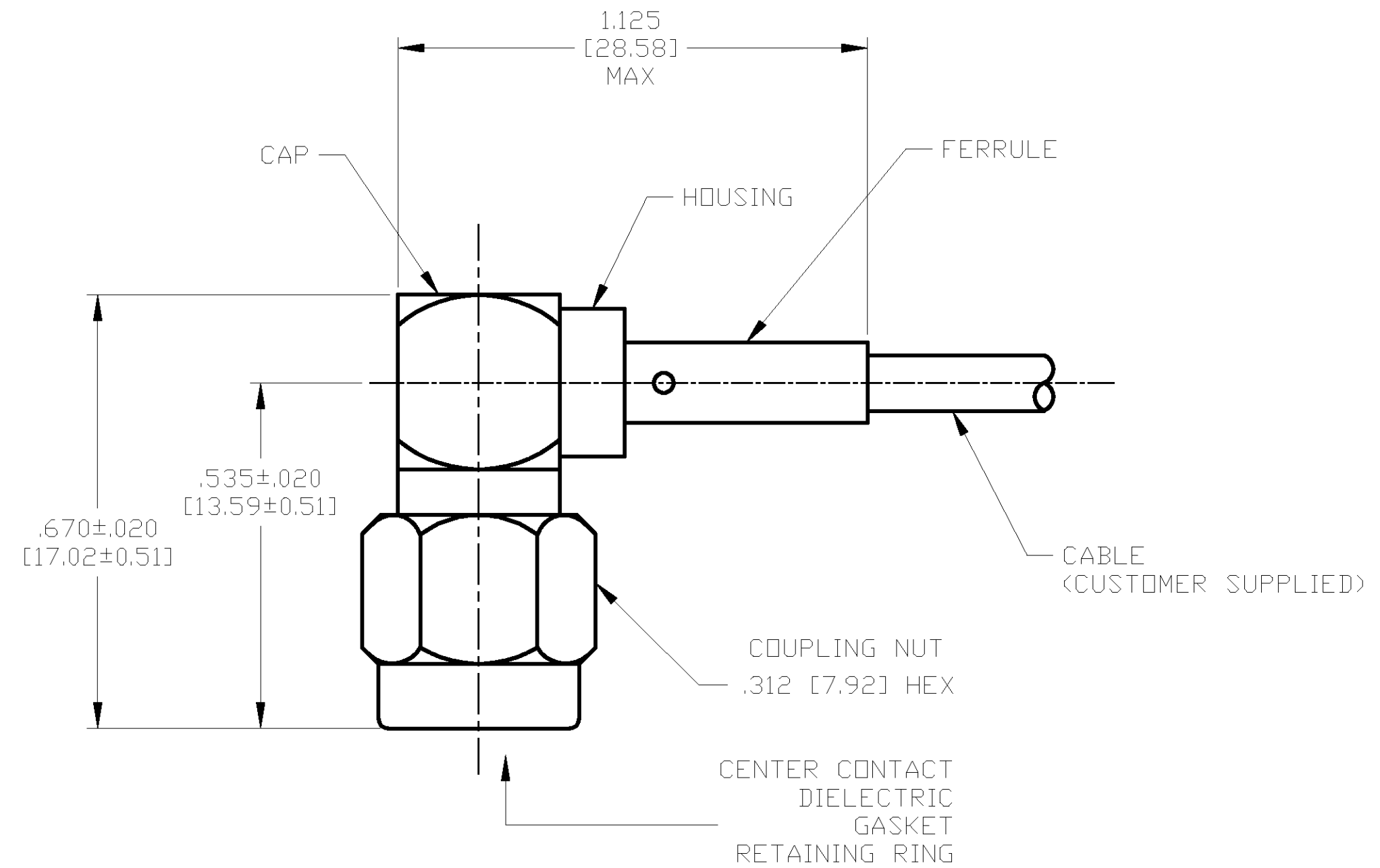


AS SHIPPED TO CUSTOMER

| ENVIRONMENTAL | |
|----------------------|--|
| TEMPERATURE RATING: | -65°C TO +165°C |
| VIBRATION: | MIL-STD-202, METHOD 204, CONDITION D |
| SHOCK: | MIL-STD-202, METHOD 213, CONDITION 1 |
| MOISTURE RESISTANCE: | MIL-STD-202, METHOD 106 |
| CORROSION: | MIL-STD-202, METHOD 101, CONDITION B. 5% SALT SPRAY |
| THERMAL SHOCK: | MIL-STD-202, METHOD 107, CONDITION B EXCEPT HIGH TEMP 85°C |

| MECHANICAL | |
|---|--|
| INTERFACE DIMENSIONS: | MIL-STD-348A FIG. 310.1 |
| RECOMMENDED MATING TORQUE: | 7-10 IN-LBS |
| FORCE TO ENGAGE & DISENGAGE (IN-LBS MAX): | 2.0 |
| WEIGHT (GRAMS): | TBD |
| MATING CHARACTERISTICS: | INSERTION (MAX LBS): N/A WITHDRAWAL (MIN OZ): N/A |
| CABLE RETENTION: | AXIAL FORCE (LBS): 10 MIN TORQUE (IN-OZ): N/A |
| CENTER CONTACT CAPTIVATION: | AXIAL (LBS): 6.0 RADIAL (IN-OZ): N/A |

| ELECTRICAL | |
|--|--|
| NORMAL IMPEDANCE (OHMS): | 50 |
| FREQUENCY RANGE (GHz): | DC TO 12.4 |
| VOLT RATING @ SEA LEVEL (VRMS MAX): | 170 |
| VSWR: | 1.20+0.03f(GHz) |
| INSERTION LOSS: (dB MAX): | .06 $\sqrt{f(\text{GHz})}$ |
| RF LEAKAGE (dB MIN): | -60 @ 2-3 GHz |
| CORONA 70,000 FT (VRMS MIN): | 125 |
| DIELECTRIC WITHSTANDING VOLTAGE (VRMS MIN) AT SEA LEVEL: | 500 |
| I.R. (MEGOHMS MIN): | 5,000 |
| RF HIGH POTENTIAL AT SEA LEVEL (VRMS MIN @ 5 MHz): | 335 |
| CONTACT RESISTANCE (MILLIOHMS MAX): | CENTER CONTACT: 4.0 OUTER CONTACT: 2.0 CABLE TO HOUSING: 0.5 |



ASSEMBLED VIEW

| | | | |
|--|----------------------|---------------------------|----------------------|
| DESIGNED TO USE RG-178/U OR EQUIVALENT CABLE ENTRY DIAMETER MIN | HOUSING: .037 [0.94] | CONTACT SLOT: .041 [1.04] | FERRULE: .099 [2.51] |
|--|----------------------|---------------------------|----------------------|

| | | |
|--|---------------------|--------------------------------|
| THIS DRAWING IS A CONTROLLED DOCUMENT. | | DWN J. KAISER 9/24/02 |
| DIMENSIONS: INCHES [mm] | | CHK J. LIPPERT 10-18-02 |
| TOLERANCES UNLESS OTHERWISE SPECIFIED: | | APVD J. LIPPERT 10-18-02 |
| 0 PLC ± - | 1 PLC ± - | PRODUCT SPEC |
| 2 PLC ± - | 3 PLC ± .005 [0.13] | APPLICATION SPEC |
| 4 PLC ± - | ANGLES ± - | 408-4932 |
| MATERIAL SEE TABLE | FINISH SEE TABLE | WEIGHT TBD |

| | | | |
|---|--|--|--------------------|
| 1052179-1 PART NO. | | Tyco Electronics Corporation Harrisburg, PA 17105 | |
| SMA RIGHT ANGLE CABLE PLUG-SOLDER ATTACHMENT (M39012/56-3106) CAT A | | SIZE A2 | CAGE CODE 00779 |
| DRAWING NO 1052179 | | RESTRICTED TO | |
| CUSTOMER DRAWING | | SCALE 5:1 | SHEET 1 OF 1 |

1052179

X-ON Electronics

Largest Supplier of Electrical and Electronic Components

Click to view similar products for [RF Connectors / Coaxial Connectors](#) category:

Click to view products by [TE Connectivity](#) manufacturer:

Other Similar products are found below :

[8915-1511-000](#) [89674-0827](#) [6001-7071-019](#) [6002-7051-003](#) [6002-7551-202](#) [6059674-1](#) [619550-1](#) [630059-000](#) [M39030/3-01N](#) [6500-7071-046](#) [6769](#) [CX050L2AQ](#) [7002-1541-010](#) [7002-1542-011](#) [7004-1512-000](#) [7009-1511-004](#) [7010-1511-000](#) [7029-1511-060](#) [7101-1541-010](#) [7101-1571-002](#) [7105-1521-002](#) [7145-1521-002](#) [7203-1571-003](#) [7209-1511-011](#) [7210-1511-015](#) [7210-1511-019](#) [73137-5015](#) [73216-2241](#) [73404-2300](#) [7405-1521-005](#) [7405-1521-802](#) [8527](#) [8547](#) [FS11V](#) [877931](#) [9049-9513-000](#) [9074-9513-000](#) [9101-9573-002](#) [910A205F](#) [9130-9573-002](#) [PL11SC-026](#) [PL375-33](#) [PL40-5](#) [PL74C-221](#) [PL75MC-217](#) [PL803-7](#) [1200690078](#) [1-201144-1](#) [R107003010W](#) [R110A172100](#)