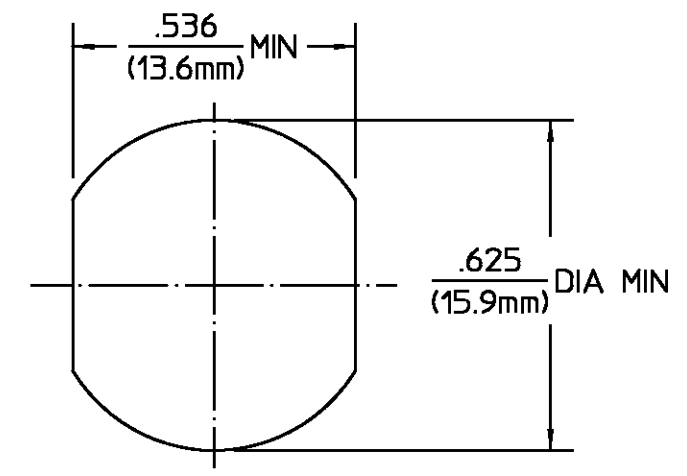
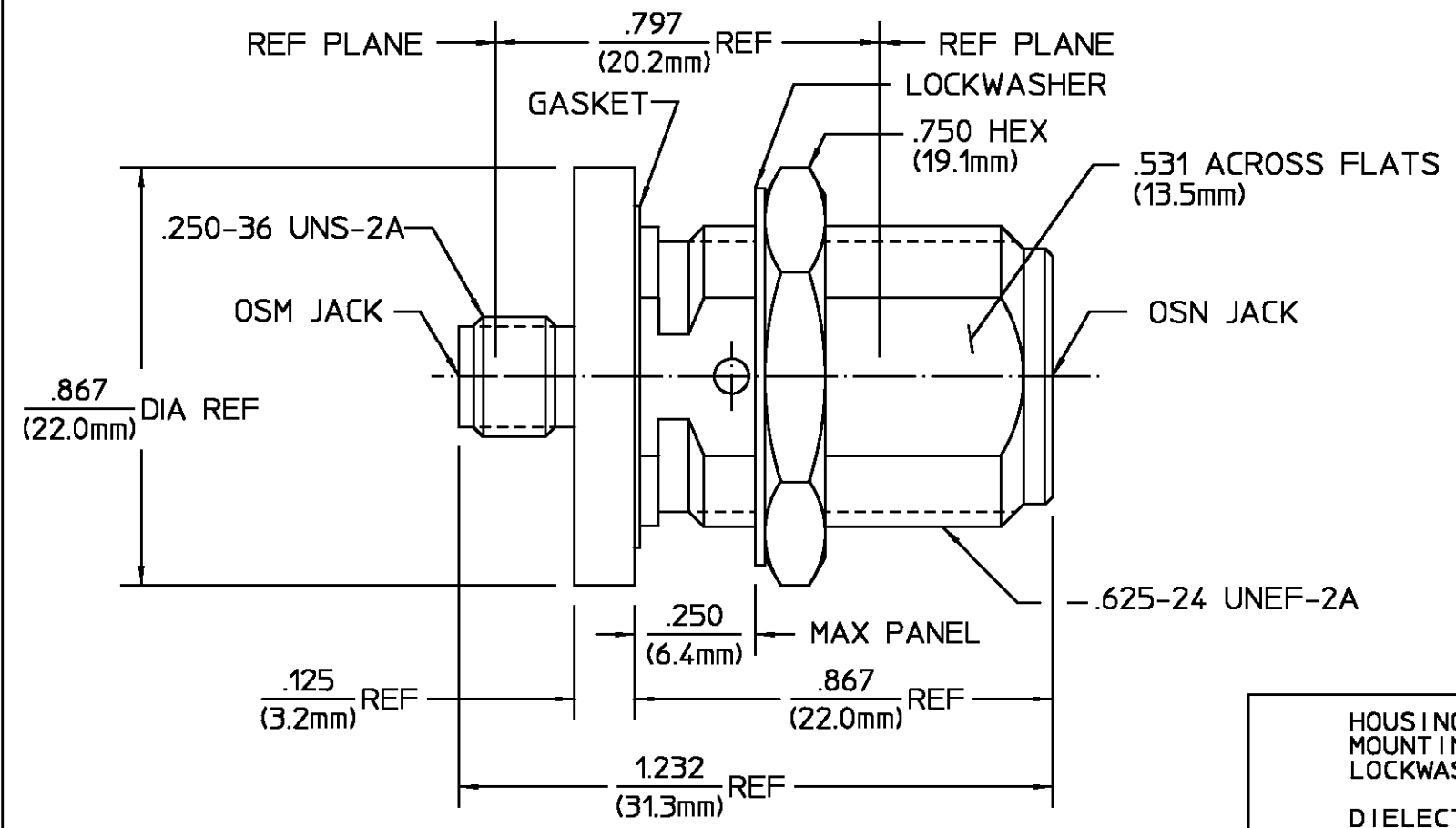


REVISIONS			
REV	DESCRIPTION	DATE	APPROVED
02 ₀	REVISED	2/15/95	<i>M.A.</i>



RECOMMENDED MOUNTING HOLE

SPECIFICATIONS

Nominal Impedance (Ohms) 50
 Frequency Range (GHz) DC to 15
 VSWR 1.06+.005f(GHz) DC to 12.4 GHz
 .83+.023f(GHz) DC 12.4 to 15 GHz
 OP. TEMP RANGE -- 65°C To 165°C

MECHANICAL & ELECTRICAL REQ'TS PER
 D.E.S.C. 8503812FP-3

COMPONENT	MATERIAL	FINISH
HOUSING MOUNTING NUT LOCKWASHER	STAINLESS STEEL PER ASTM-A484 AND ASTM- A582, TYPE 303	PASSIVATE PER QQ-P-35
DIELECTRIC	TFE FLUOROCARBON PER ASTM-D-1457	N/A
CENTER CONTACT	BERYLLIUM COPPER PER ASTM-B-196 OR ASTM-B-197, ALLOY C17300, CONDITION H	GOLD PLATE PER MIL-G-45204
GASKET	SILICONE RUBBER PER ZZ-R-765	N/A

UNLESS OTHERWISE SPECIFIED DIMENSIONS ARE IN INCHES TOLERANCE ON	DRAWN BY	DATE	AMP Incorporated 140 Fourth Avenue Waltham, MA 02451-7599
	B.H.	10/29/87	
FRAC. DEC. ANGLES	CHECKED BY	S.A.	
± 1/64 ± .005 ± 1°	APPD BY	B.C.	1/18/88
These drawings and specifications are the property of M/A-COM Interconnect Division and shall not be reproduced or copied or used in whole or in part as the basis for the manufacture or sale of item(s) without written permission.	USE ASS'Y PROCEDURE	TITLE	
	NO. AP. N/A	OSM JACK TO OSN BULKHEAD FEEDTHRU JACK ADAPTER	
		SIZE B	CODE IDENT NO. 26805
	SCALE 3:1		REV 02 ₀
			SHEET 1 OF 1

CUSTOMER DRAWING

AMP PART # 1057465-1
 SHEET 1 OF 1 REV A

X-ON Electronics

Largest Supplier of Electrical and Electronic Components

Click to view similar products for [RF Adapters - Between Series](#) category:

Click to view products by [TE Connectivity](#) manufacturer:

Other Similar products are found below :

[R191203007](#) [R191209000](#) [R191212000](#) [R191215000](#) [R191301000](#) [R191314700](#) [R191325000](#) [R191389200](#) [R191403000](#) [R191405000](#)
[R191416000](#) [R191419000](#) [R191421000](#) [R191424000](#) [R191445000](#) [R191511000](#) [R191720000](#) [R191722000](#) [R191733000](#) [R191759000](#)
[R191841001W](#) [R191911000](#) [R191912000](#) [R192417010](#) [R921390000](#) [ADBJ20-E1-BJ379](#) [ADM2](#) [ADPL75-E1-UBJ20](#) [9317505](#)
[931RPBUFLP](#) [AD130](#) [ADBJ20-E1-PL74](#) [ADBJ77-A1PL3155](#) [ADBJ77-E1-UPL20](#) [ADBJ77-E2-PL20](#) [242215](#) [242228](#) [R125680000W](#)
[R191117000](#) [R191123000](#) [R191303000](#) [R191311000](#) [R191313000](#) [R191315000](#) [R191316700](#) [R191327000](#) [R191331000](#) [R191333000](#)
[R191334000](#) [R191365000](#)