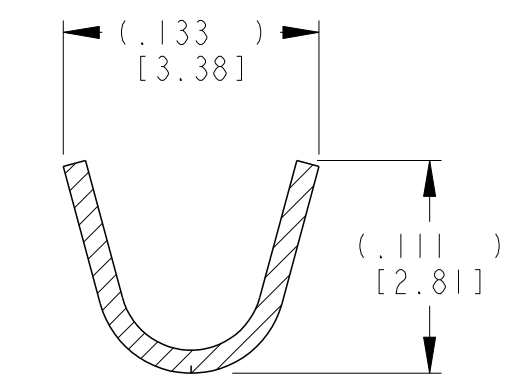
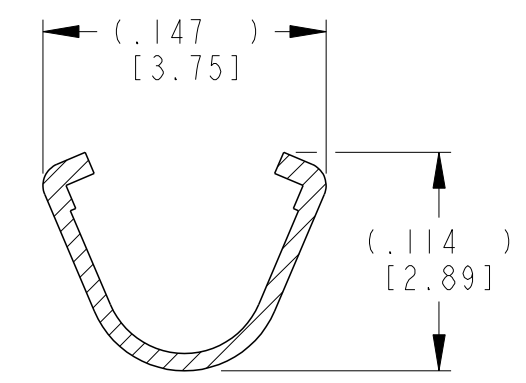
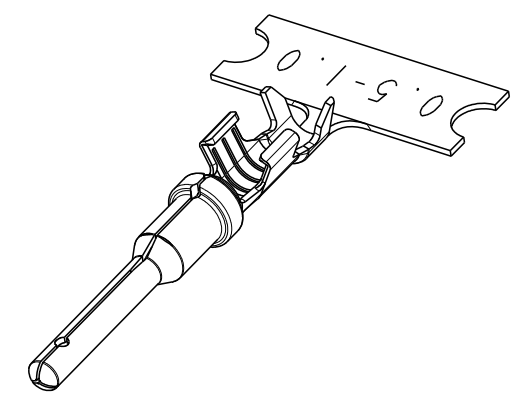
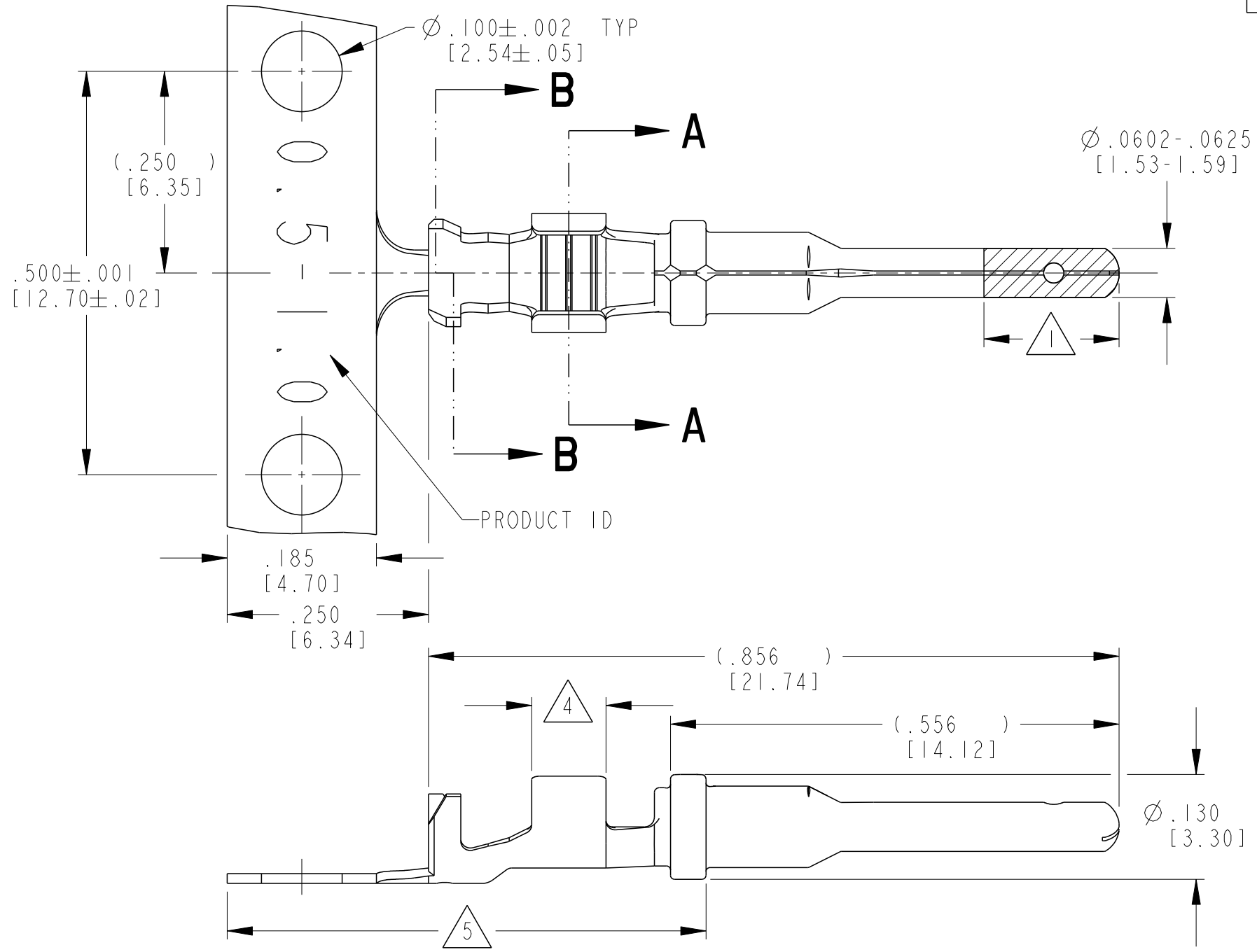


LOC	DIST	REVISIONS					
		P	LTR	DESCRIPTION	DATE	DWN	APVD
		F1		REVISED PER PCN E-17-014802	06OCT2017	AJ	DM
		G		REVISED PER PCN E-20-008101	12JUN2020	DM	DM



SECTION A-A
WIRE BARREL

SECTION B-B
INSULATION BARREL

TE INTERNAL PN	DEUTSCH PN	PLATING
1060-16-0622	1060-16-0622	Ni/Cu overall, Sn/Ni/Cu Wire Barrel
1060-16-0644	1060-16-0644	Selective Au, Ni/Cu overall, Sn/Ni/Cu Wire Barrel
1060-16-0677	1060-16-0677	Sn/Ni/Cu overall
1060-16-0688	1060-16-0688	Selective Pd-Ni, Au/Ni/Cu overall

- 5 TIN PLATING MAY BE IN THIS REGION.
- 4 TIN PLATED REGION.
- 3 MATERIAL: .012 [0.30] THICK COPPER ALLOY
- 2. WIRE RANGE: 20 AWG TO 16 AWG [0.5-1.0 mm²]
INSULATION RANGE: Ø.055-.100 [Ø1.40-2.54]
- 1 44: GOLD PLATED REGION.
88: PALLADIUM-NICKEL PLATED REGION.

NOTES: UNLESS OTHERWISE SPECIFIED

THIS DRAWING IS A CONTROLLED DOCUMENT.		DWN STEVE PALLUTH 28NOV2000	TE Connectivity	
DIMENSIONS: INCHES [mm]		CHK VLADIMIR TOMSA 06DEC2000		
TOLERANCES UNLESS OTHERWISE SPECIFIED:		APVD R. REED 08DEC2000	NAME STAMPED CONTACT PIN SIZE 16	
0 PLC ± 1 PLC ± 2 PLC ± 3 PLC ±.025 [0.64] 4 PLC ± ANGLES ±		PRODUCT SPEC 108-151000	SIZE A3	CAGE CODE 4AFU8
MATERIAL 3		APPLICATION SPEC 114-151000	DRAWING NO C=1060-16-06XX	RESTRICTED TO -
FINISH SEE TABLE		WEIGHT 0.32 g	Customer Drawing	SCALE 6:1
			SHEET 1	OF 1
			REV G	

X-ON Electronics

Largest Supplier of Electrical and Electronic Components

Click to view similar products for [Automotive Connectors](#) category:

Click to view products by [TE Connectivity](#) manufacturer:

Other Similar products are found below :

[003-018-000](#) [60403001](#) [60993906-B](#) [M902-2131](#) [M902-2161](#) [M902-2344](#) [72.330.1035.1](#) [73.353.4028.0](#) [F119300-B](#) [F166900](#) [F258300-B](#)
[F358300-B](#) [F407400](#) [F444110](#) [F487000](#) [F509500B-B](#) [827153-1](#) [8N1515-32-24P](#) [9-1326729-8](#) [925474-1](#) [928905-1](#) [964562-4](#) [968782-1](#)
[GT17SA-8DS-HU](#) [98891-1012](#) [98947-1016](#) [12004147](#) [12004475-L](#) [12010290](#) [12015454](#) [12020219-B](#) [12041318-B](#) [12052225-L](#) [12052466](#)
[12064869](#) [12004327-B](#) [12015308](#) [12015384](#) [12015909](#) [1-21030-1](#) [12041254](#) [12041318](#) [12047946-B](#) [12047957](#) [12047957-L](#) [12059473](#)
[12066261](#) [12110546](#) [12110546-B](#) [12131792](#)