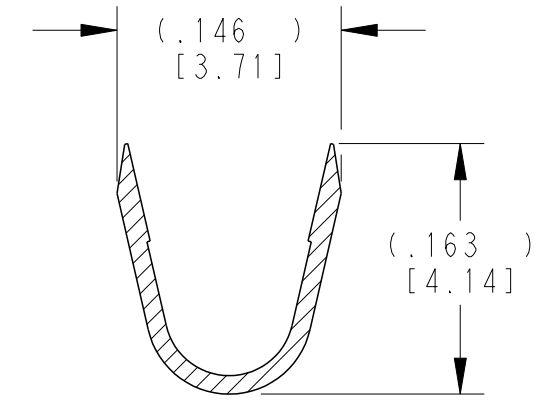
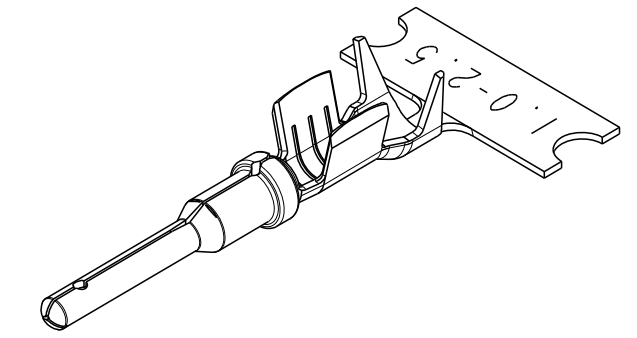
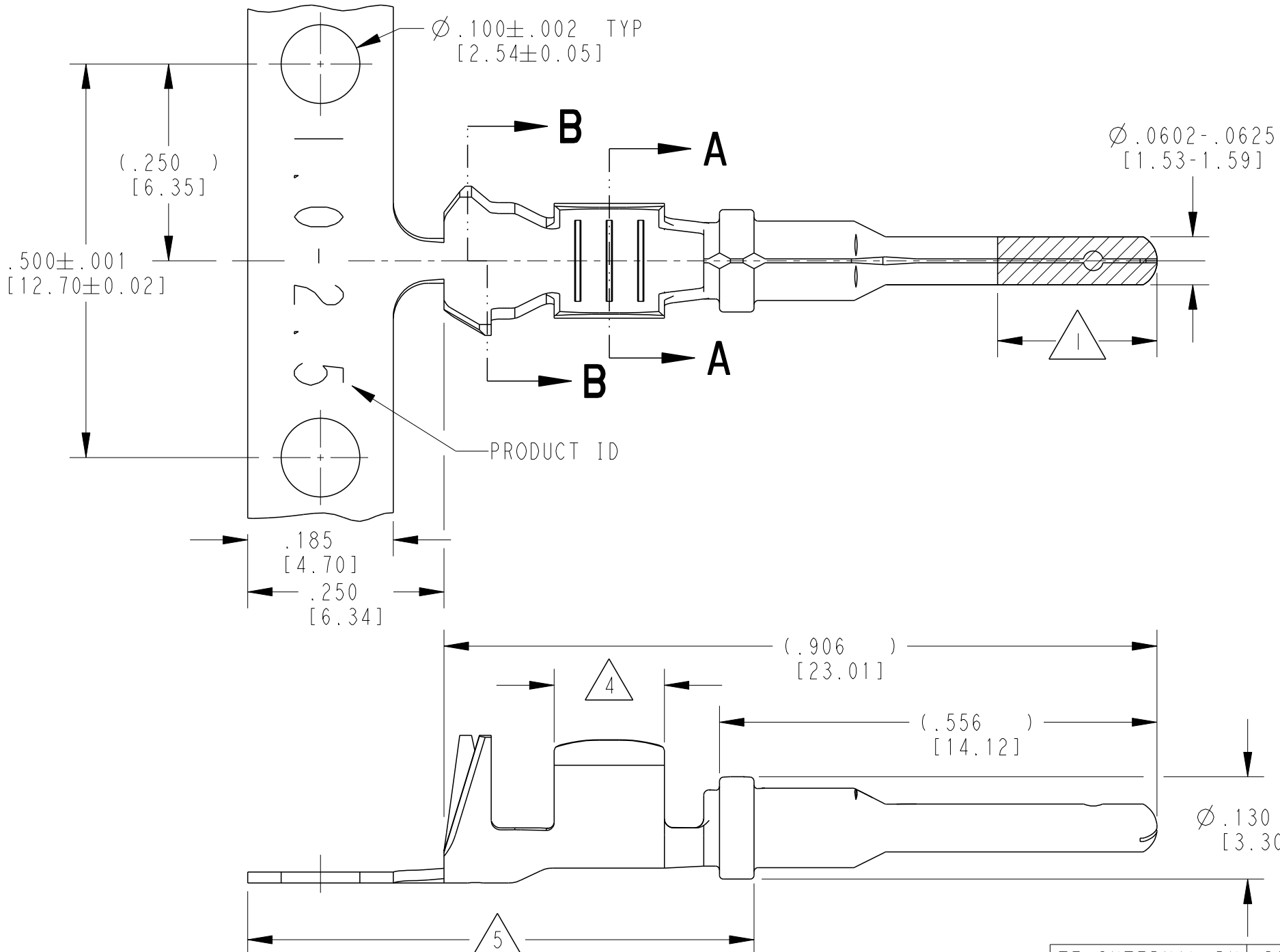
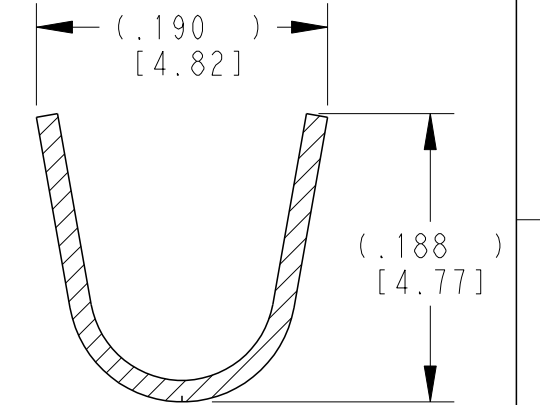


LOC	DIST	REVISIONS					
		P	LTR	DESCRIPTION	DATE	DWN	APVD
		C		REVISED PER ECO-15-007761	28MAY2015	RL	DM
		D		REVISED PER PCN E-20-008101	12JUN2020	DM	DM



SECTION A-A
WIRE BARREL


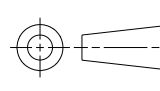


SECTION B-B
INSULATION BARREL

TE INTERNAL PN	DEUTSCH PN	PLATING
1060-16-1222	1060-16-1222	Ni/Cu overall, Sn/Ni/Cu Wire Barrel
1060-16-1244	1060-16-1244	Selective Au, Ni/Cu overall, Sn/Ni/Cu Wire Barrel
1060-16-1277	1060-16-1277	Sn/Ni/Cu overall

- 5 TIN PLATING MAY BE IN THIS REGION.
 - 4 TIN PLATED REGION.
 - 3 MATERIAL: .014 [0.36] THICK CU ALLOY
 - 2. WIRE RANGE: 16 AWG TO 12 AWG [1.0-2.5 mm²]
INSULATION RANGE: Ø.075-.140 [Ø1.91-3.56]
 - 1 GOLD PLATED REGION.
- NOTES: UNLESS OTHERWISE SPECIFIED

THIS DRAWING IS A CONTROLLED DOCUMENT.

DWN VLADIMIR TOMSA 29MAR2001	 TE Connectivity	
CHK BRICE BYFORD 14MAR2002		
APVD R. REED 14MAR2002		
DIMENSIONS: INCHES [mm]	TOLERANCES UNLESS OTHERWISE SPECIFIED:	NAME STAMPED CONTACT PIN SIZE 16
 0 PLC ± 1 PLC ± 2 PLC ± 3 PLC ±.025 [0.64] 4 PLC ± ANGLES ±	FINISH SEE TABLE	PRODUCT SPEC 108-151000 APPLICATION SPEC 114-151001
MATERIAL 3	WEIGHT 0.40 g	SIZE A3 CAGE CODE 4AFU8 DRAWING NO C-1060-16-12XX RESTRICTED TO -
Customer Drawing		SCALE 6:1
		SHEET 1 OF 1
		REV D

X-ON Electronics

Largest Supplier of Electrical and Electronic Components

Click to view similar products for [Automotive Connectors](#) category:

Click to view products by [TE Connectivity](#) manufacturer:

Other Similar products are found below :

[003-018-000](#) [60403001](#) [60993906-B](#) [M902-2131](#) [M902-2161](#) [M902-2344](#) [72.330.1035.1](#) [73.353.4028.0](#) [F119300-B](#) [F166900](#) [F258300-B](#)
[F358300-B](#) [F407400](#) [F444110](#) [F487000](#) [F509500B-B](#) [827153-1](#) [8N1515-32-24P](#) [9-1326729-8](#) [925474-1](#) [928905-1](#) [964562-4](#) [968782-1](#)
[GT17SA-8DS-HU](#) [98891-1012](#) [98947-1016](#) [12004147](#) [12004475-L](#) [12010290](#) [12015454](#) [12020219-B](#) [12041318-B](#) [12052225-L](#) [12052466](#)
[12064869](#) [12004327-B](#) [12015308](#) [12015384](#) [12015909](#) [1-21030-1](#) [12041254](#) [12041318](#) [12047946-B](#) [12047957](#) [12047957-L](#) [12059473](#)
[12066261](#) [12110546](#) [12110546-B](#) [12131792](#)