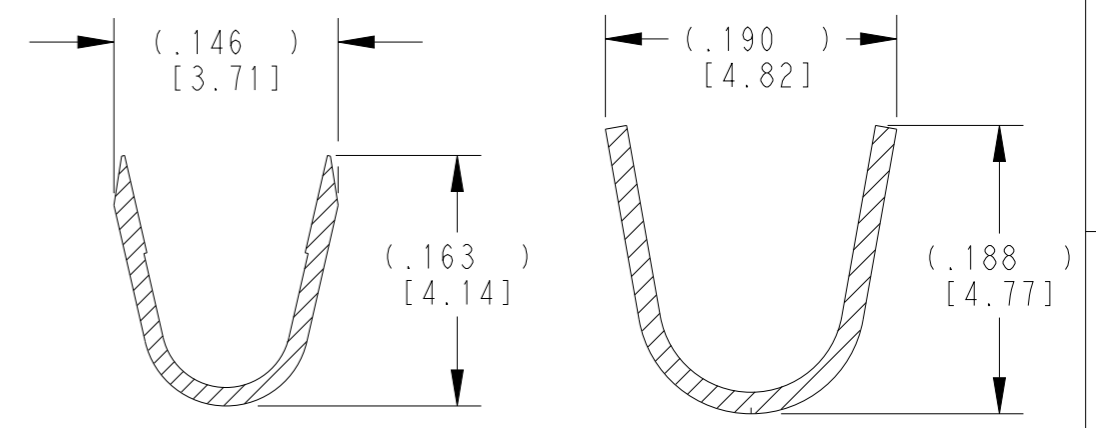
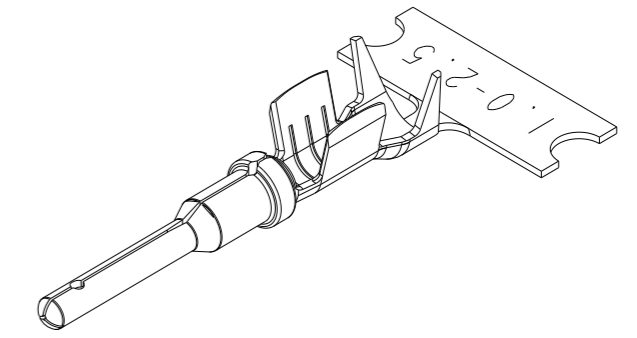
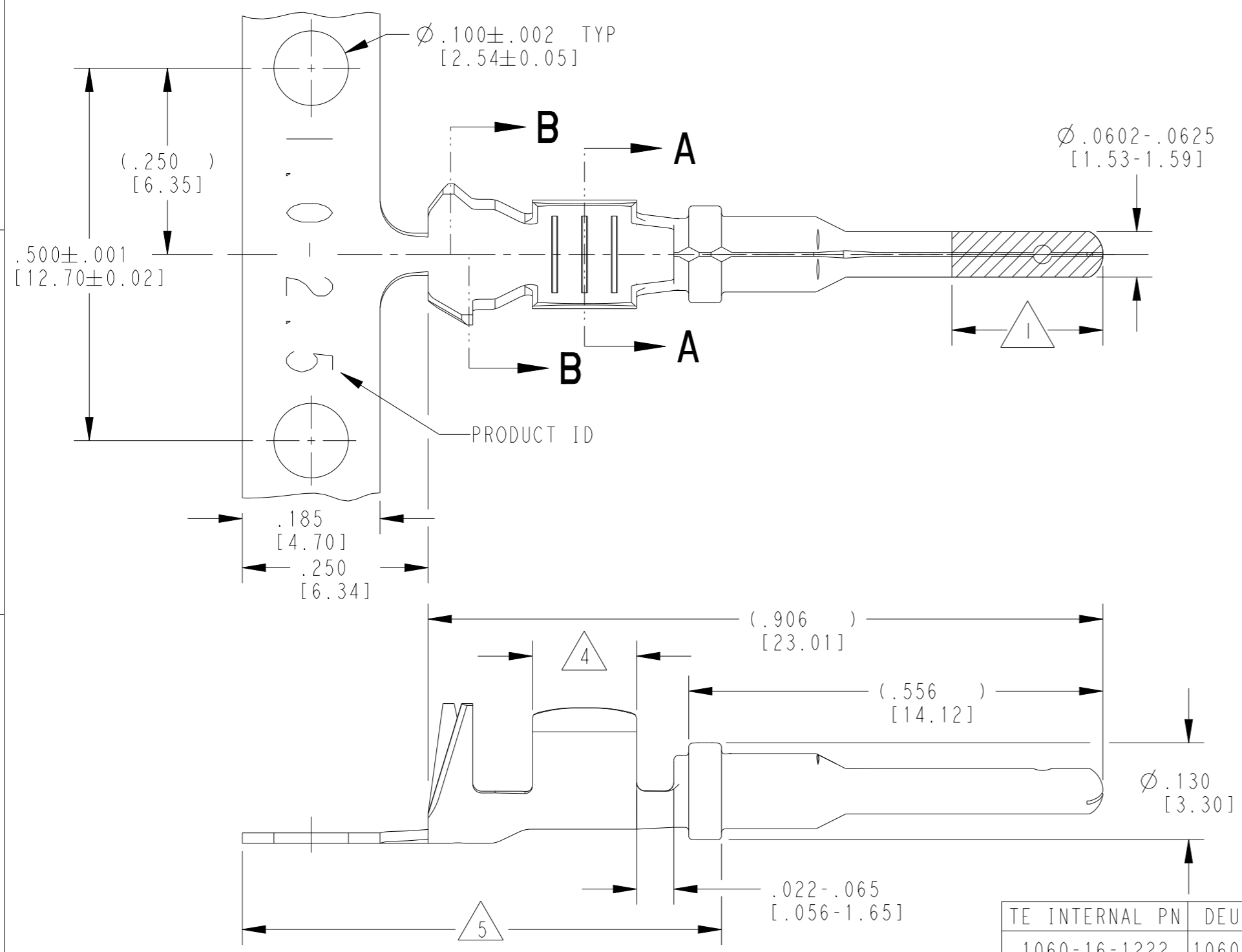


THIS DRAWING IS UNPUBLISHED. RELEASED FOR PUBLICATION 2020
 © COPYRIGHT 2020 BY TE CONNECTIVITY ALL RIGHTS RESERVED.

LOC	DIST	REVISIONS			
P	LTR	DESCRIPTION	DATE	DWN	APVD
	C	REVISED PER ECO-15-007761	28MAY2015	RL	DM
	D	REVISED PER PCN E-20-008101	12JUN2020	DM	DM
	E	REVISED PER PCN-21-121539	04MAR2022	MK	DM



SECTION A-A
WIRE BARREL

SECTION B-B
INSULATION BARREL

TE INTERNAL PN	DEUTSCH PN	PLATING
1060-16-1222	1060-16-1222	Ni/Cu overall, Sn/Ni/Cu Wire Barrel
1060-16-1244	1060-16-1244	Selective Au, Ni/Cu overall, Sn/Ni/Cu Wire Barrel
1060-16-1277	1060-16-1277	Sn/Ni/Cu overall

- 5 TIN PLATING MAY BE IN THIS REGION.
 - 4 TIN PLATED REGION.
 - 3 MATERIAL: .014 [0.36] THICK CU ALLOY
 - 2. WIRE RANGE: 16 AWG TO 12 AWG [1.0-2.5 mm²]
INSULATION RANGE: Ø.075-.140 [Ø1.91-3.56]
 - 1 GOLD PLATED REGION.
- NOTES: UNLESS OTHERWISE SPECIFIED

THIS DRAWING IS A CONTROLLED DOCUMENT.

DWN: 29MAR2001 VLADIMIR TOMSA
 CHK: 14MAR2002 BRICE BYFORD
 APVD: 14MAR2002 R. REED

NAME: STAMPED CONTACT PIN SIZE 16

PRODUCT SPEC: 108-151000
 APPLICATION SPEC: 114-151001

WEIGHT: 0.40 g

SIZE: A3 CAGE CODE: 4AFU8 DRAWING NO: 1060-16-12XX RESTRICTED TO: -

Customer Drawing SCALE: 6:1 SHEET: 1 OF 1 REV: E

DIMENSIONS: INCHES[mm]	TOLERANCES UNLESS OTHERWISE SPECIFIED:
0 PLC	±
1 PLC	±
2 PLC	±
3 PLC	±.025 [0.64]
4 PLC	±
ANGLES	±
FINISH	SEE TABLE

X-ON Electronics

Largest Supplier of Electrical and Electronic Components

Click to view similar products for [Terminals category](#):

Click to view products by [TE Connectivity manufacturer](#):

Other Similar products are found below :

[00-054007-01074-6](#) [00-054007-70206-1](#) [00-054007-70210-8](#) [00-054007-70217-7](#) [00-054007-70228-3](#) [00-054007-70256-6](#) [00-054007-70316-7](#) [00-054007-49560-4](#) [00-054007-70209-2](#) [00-054007-70231-3](#) [00-054007-70241-2](#) [00-054007-70242-9](#) [00-054007-70246-7](#) [00-054007-70263-4](#) [00-054007-70288-7](#) [00-054007-70290-0](#) [00-054007-70300-6](#) [00-054007-70304-4](#) [01-2900-1-04412](#) [00581P0075](#) [600TS-10](#) [605601-1](#) [60598-1-CUT-TAPE](#) [60617-1-C](#) [61314-6-C](#) [61810-3](#) [62149-1](#) [626-0194](#) [63-S](#) [M55155/059I03](#) [M55155/079C01](#) [M55155/099B03](#) [M55155/099H02](#) [M55155/109H01](#) [M55155/12XH05](#) [M55155/29-5S](#) [M55155/29XJ08](#) [M55155/30-6S](#) [M55155/30-9S](#) [M55155/30XI09](#) [M6-14RSX](#) [696683-1](#) [696861-1](#) [696999-1](#) [M86700006](#) [D18-110B-C](#) [D18-110B-M](#) [701-1936](#) [701-1955](#) [701-2003](#)