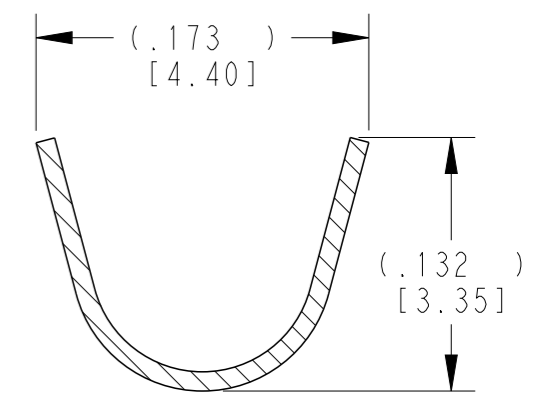
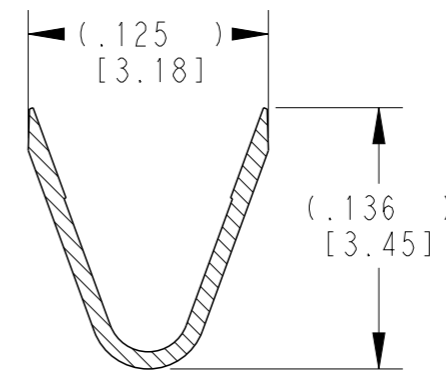
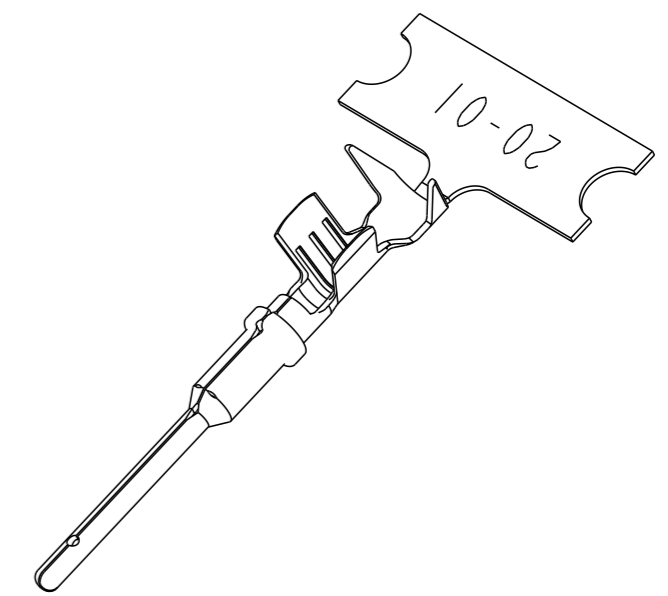
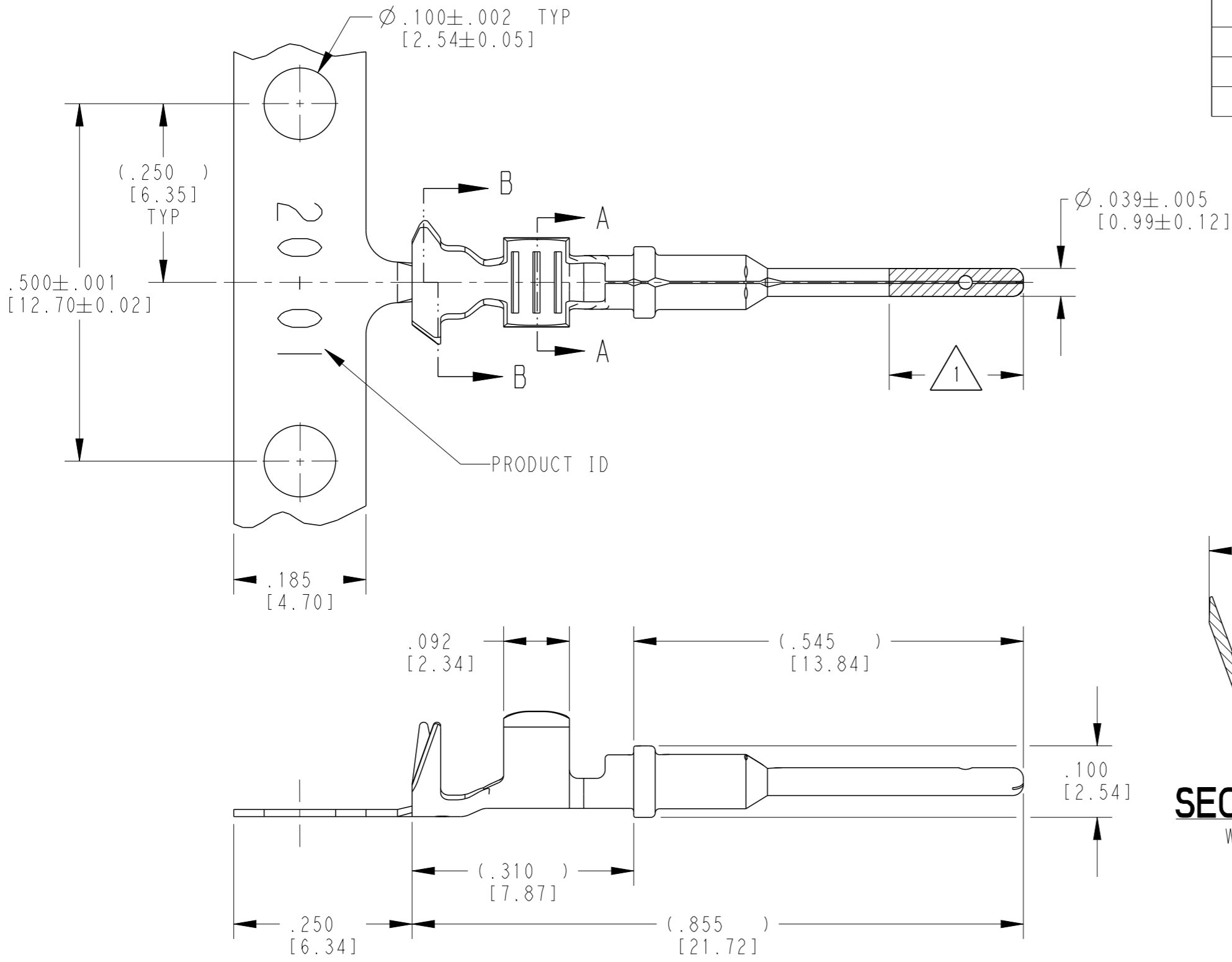


THIS DRAWING IS UNPUBLISHED. RELEASED FOR PUBLICATION 2018  
 © COPYRIGHT 2018 BY - ALL RIGHTS RESERVED.

P	LTR	DESCRIPTION	DATE	DWN	APVD
	D	REVISED PER E.O. P20044	03NOV2008		RDR
	E	REVISED PER E.O. P20392	03DEC2009		RDR
	F	REVISED PER PCN :E-18-007949	23MAY2018	DD	DM



- 3 MATERIAL: .010 [0.25] THICK COPPER ALLOY
- 2. WIRE RANGE: 22 AWG TO 16 AWG [0.35-1.5 mm<sup>2</sup>]  
INSULATION RANGE:  $\varnothing .075$ -.125 [ $\varnothing 1.91$ -3.18]
- 1 APPLIES ONLY TO SELECTIVE GOLD 1060-20-0144.  
INDICATED DIMENSION SHOWS GOLD PLATED AREA.

NOTES: UNLESS OTHERWISE SPECIFIED

THIS DRAWING IS A CONTROLLED DOCUMENT.	
DIMENSIONS: INCHES [mm]	TOLERANCES UNLESS OTHERWISE SPECIFIED:
	0 PLC ±
	1 PLC ±
	2 PLC ±
	3 PLC ±.025 [0.64]
	4 PLC ±
	ANGLES ±
MATERIAL	FINISH SEE TABLE

DWN	J. APOSTOL	01DEC2009
CHK	D. MEYER	02DEC2009
APVD	R. REED	03DEC2009
PRODUCT SPEC	0425-015-0000	
APPLICATION SPEC	114-151003	
WEIGHT	0.16 g	
CUSTOMER DRAWING		

TE INTERNAL PN	DEUTSCH PN	PLATING
1060-20-0122	1060-20-0122	NICKEL
1060-20-0144	1060-20-0144	SELECTIVE GOLD
1060-20-0177	1060-20-0177	TIN

**STE** TE Connectivity

NAME: STAMPED CONTACT  
PIN SIZE 20

SIZE	CAGE CODE	DRAWING NO	RESTRICTED TO
A3	4AFU8	1060-20-01XX	-

SCALE 6:1 SHEET 1 OF 1 REV F

## X-ON Electronics

Largest Supplier of Electrical and Electronic Components

*Click to view similar products for [Automotive Connectors](#) category:*

*Click to view products by [TE Connectivity](#) manufacturer:*

Other Similar products are found below :

[003-018-000](#) [60403001](#) [60993906-B](#) [M902-2131](#) [M902-2161](#) [M902-2344](#) [72.330.1035.1](#) [73.353.4028.0](#) [F119300-B](#) [F166900](#) [F258300-B](#)  
[F358300-B](#) [F407400](#) [F444110](#) [F487000](#) [F509500B-B](#) [827153-1](#) [8N1515-32-24P](#) [9-1326729-8](#) [925474-1](#) [928905-1](#) [964562-4](#) [968782-1](#)  
[GT17SA-8DS-HU](#) [98891-1012](#) [98947-1016](#) [12004147](#) [12004475-L](#) [12010290](#) [12015454](#) [12020219-B](#) [12041318-B](#) [12052225-L](#) [12052466](#)  
[12064869](#) [12004327-B](#) [12015308](#) [12015384](#) [12015909](#) [1-21030-1](#) [12041254](#) [12041318](#) [12047946-B](#) [12047957](#) [12047957-L](#) [12059473](#)  
[12066261](#) [12110546](#) [12110546-B](#) [12131792](#)