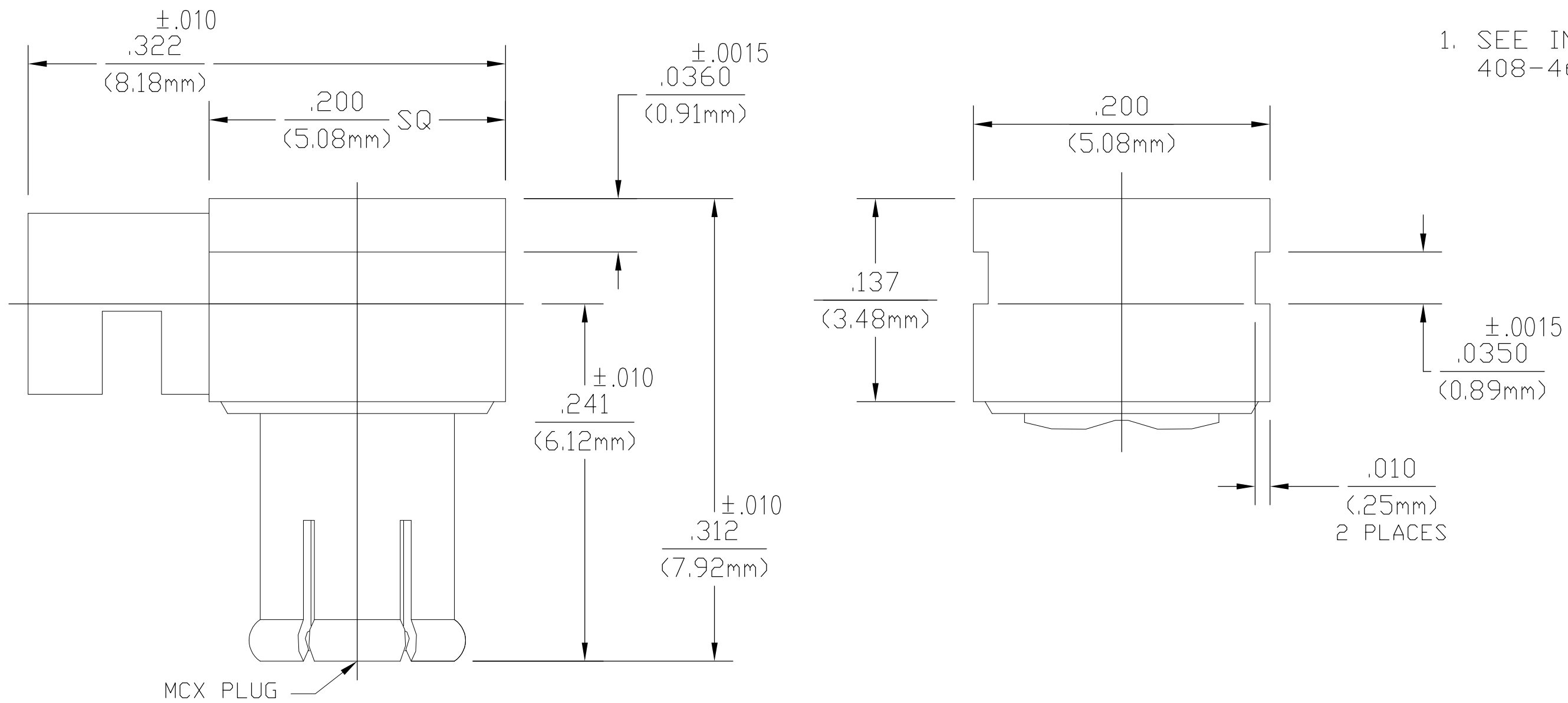


THIS DRAWING IS UNPUBLISHED. RELEASED FOR PUBLICATION
 © COPYRIGHT BY TYCO ELECTRONICS CORPORATION. ALL RIGHTS RESERVED.

LOC	DIST	REVISIONS					
AJ	00	P	LTR	DESCRIPTION	DATE	DWN	APVD
		B		REV PER ECO 07-027463	17DEC07	DW	JL



ELECTRICAL
 Nominal Impedance (Ohms) 50
 Frequency Range (GHz) DC TO 6.0
 Voltage Rating
 (VRMS MAX) 335 @ Sea level
 VSWR 1.25 MAX @ 4 GHz
1.35 MAX @ 6 GHz
 Insertion Loss .1dB x FGHz
 Corona, 70,000 Ft (VRMS MIN) 250
 D.W.V.
 (VRMS MIN) 1000
 Contact Resistance
 Center Contact (Milliohms MAX) 5.0
 Outer Contact (Milliohms MAX) 1.0
 Cable To Housing (Milliohms MAX) 1.0
 RF High Potential
 (VRMS MIN @ 5 MHz) 670
 I.R. (Megohms Min) 10,000

MECHANICAL
 Force to Engage (MAX)
3.4lbs
 Force to Disengage (Lbs)
4.5 max 1.77 min
 Center Contact Captivation:
 Designed to maintain DSX
 interface when mating
 Cable Retention
 Axial 24.5 lbs min

ENVIRONMENTAL
 Temperature Rating
-65°C TO 165°C
 Vibration
MIL-STD-202, Method 204,
Condition B
 Thermal shock
MIL-STD-202, Method 102,
Condition C
 Moisture Resistance
MIL-STD-202, Method 106,
96 hours
 Corrosion
MIL-STD-202,
Method 101, Condition A

1060787-1
PART NUMBER
DESIGNED FOR USE WITH .085 SEMI-RIGID CABLE CABLE ENTRY DIAMETER MINIMUM
CONTACT .024 SLOT
HOUSING .089

HOUSING CAP CENTER CONTACT	BRASS PER QQ-B-626 COMP. 360	GOLD PLATE PER MIL-G-45204
DIELECTRIC	TFE FLUOROCARBON PER ASTM-D-1457	N/A
CONTACT FINGER	BERYLLIUM COPPER PER ASTM B 196, ALLOY C 17300, CONDITION H	GOLD PLATE PER MIL-G-45204
COMPONENT	MATERIAL	FINISH
THIS DRAWING IS A CONTROLLED DOCUMENT.		
DIMENSIONS: INCHES	TOLERANCES UNLESS OTHERWISE SPECIFIED:	0 PLC ± - 1 PLC ± - 2 PLC ± - 3 PLC ± .005 (0.12) 4 PLC ± - ANGLES ± 1°
MATERIAL	FINISH	
DWN JOSEPH DINSMORE 7/5/95 CHK - APVD D.CAMELIO 7/5/95 PRODUCT SPEC APPLICATION SPEC		NAME Tyco Electronics Corporation Harrisburg, PA 17105-3608
WEIGHT -		SIZE A2 CAGE CODE 00779 DRAWING NO. 1060787-1 RESTRICTED TO -
CUSTOMER DRAWING		SCALE 1:1 SHEET 1 of 1 REV B

X-ON Electronics

Largest Supplier of Electrical and Electronic Components

Click to view similar products for [RF Connectors / Coaxial Connectors](#) category:

Click to view products by [TE Connectivity](#) manufacturer:

Other Similar products are found below :

[8915-1511-000](#) [89674-0827](#) [6001-7071-019](#) [6002-7051-003](#) [6002-7551-202](#) [6059674-1](#) [619550-1](#) [630059-000](#) [M39030/3-01N](#) [6500-7071-046](#) [6769](#) [CX050L2AQ](#) [7002-1541-010](#) [7002-1542-011](#) [7004-1512-000](#) [7009-1511-004](#) [7010-1511-000](#) [7029-1511-060](#) [7101-1541-010](#) [7101-1571-002](#) [7145-1521-002](#) [7203-1571-003](#) [7209-1511-011](#) [7210-1511-015](#) [7210-1511-019](#) [73137-5015](#) [73216-2241](#) [73404-2300](#) [7405-1521-005](#) [7405-1521-802](#) [8527](#) [8547](#) [FS11V](#) [877931](#) [8808-1511-001](#) [9049-9513-000](#) [9074-9513-000](#) [9101-9573-002](#) [910A205F](#) [9130-9573-002](#) [PL11SC-026](#) [PL375-33](#) [PL40-5](#) [PL74C-221](#) [PL75MC-217](#) [PL803-7](#) [1200690078](#) [1-201144-1](#) [R107003010W](#) [R110A172100](#)