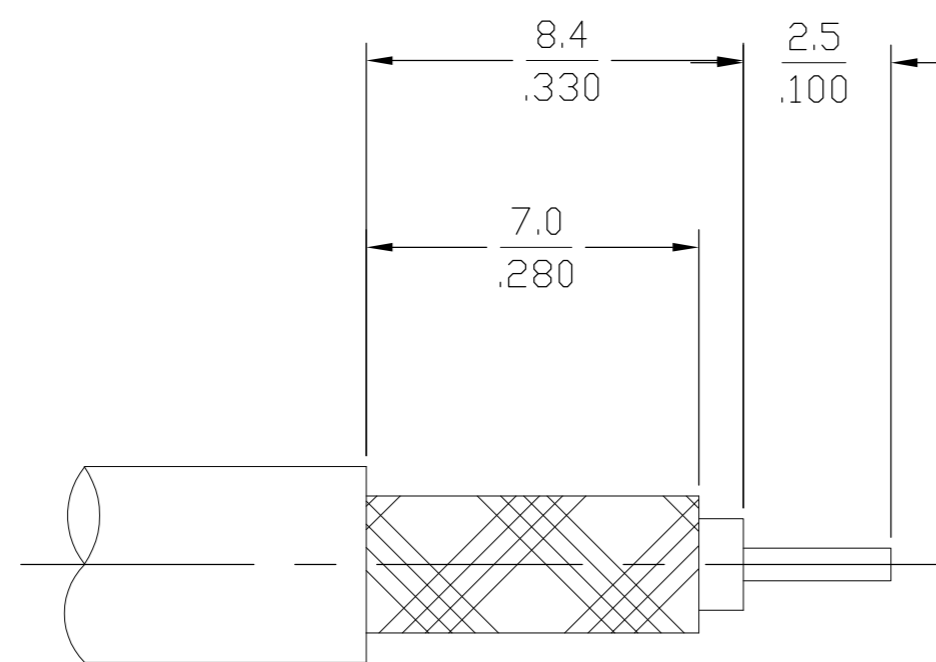
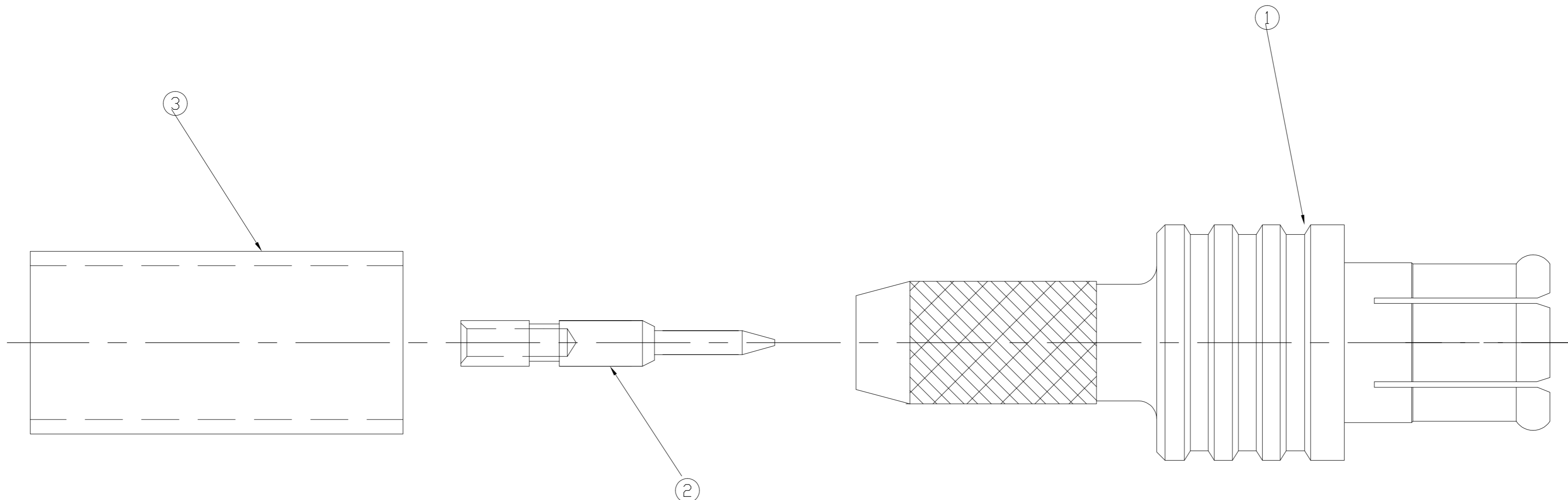


THIS DRAWING IS UNPUBLISHED. RELEASED FOR PUBLICATION
 © COPYRIGHT BY TYCO ELECTRONICS CORPORATION. ALL RIGHTS RESERVED.

LOC	DIST	REVISIONS			
P	LTR	DESCRIPTION	DATE	DWN	APVD
AJ	00				
	C	REV PER ECO 08-007172	26MAR2008	DW	JL



RECOMMENDED STRIP LENGTH

1. FOR USE WITH RG-174/U, RG-188/U & RG-316/U CABLE.

RG316/U	2-413889-4	1408060-2	1408063-2	1060872-1
CABLE SIZE	FERRULE (3) QTY=1	CONTACT (2) QTY=1	PLUG ASSEMBLY (1) QTY=1	PART NUMBER

THIS DRAWING IS A CONTROLLED DOCUMENT.		DWN —	05APR2007	Tyco Electronics Corporation Harrisburg, PA 17105-3608	
DIMENSIONS: INCHES		CHK —	APVD —	NAME MCX CABLE PLUG CRIMP ATTACHMENT-NICKEL PLATED	
TOLERANCES UNLESS OTHERWISE SPECIFIED:		PRODUCT SPEC —		APPLICATION SPEC 408-10131	
0 PLC ± -		WEIGHT —		SIZE A2	CAGE CODE 00779
1 PLC ± -		CUSTOMER DRAWING		DRAWING NO C=1060872	
2 PLC ± -		SCALE 10:1		SHEET 1 of 1	
3 PLC ± -		REV C		RESTRICTED TO —	
4 PLC ± -					
ANGLES ± -					
FINISH —					

X-ON Electronics

Largest Supplier of Electrical and Electronic Components

Click to view similar products for [RF Connectors / Coaxial Connectors](#) category:

Click to view products by [TE Connectivity](#) manufacturer:

Other Similar products are found below :

[R125315120](#) [8915-1511-000](#) [89674-0827](#) [5916-1103-603](#) [6-0001-3](#) [6001-7071-019](#) [6002-7051-003](#) [6002-7551-202](#) [6059674-1](#) [619550-1](#)
[630059-000](#) [M39012/25-0021](#) [M39012/79-3008](#) [M39030/3-01N](#) [M39030/3-03N](#) [M3933/25-36N](#) [6500-7071-046](#) [M83723/72W24576](#)
[M83723/72W2457N](#) [6769](#) [CX050L2AQ](#) [7002-1541-010](#) [7002-1572-002](#) [7003-1572-002](#) [7010-1511-000](#) [7029-1511-060](#) [7101-1541-010](#)
[7101-1571-002](#) [7105-1521-002](#) [7145-1521-002](#) [7209-1511-011](#) [7210-1511-015](#) [7210-1511-019](#) [7225-1512-050](#) [7242-1511-000](#) [73137-5015](#)
[73251-0111](#) [73251-0672](#) [7325-1512-000](#) [73276-1501](#) [73366-0013](#) [73404-2300](#) [73413-6080](#) [73415-5721](#) [7405-1521-005](#) [7405-1521-802](#)
[7406-1521-005](#) [804S01D04M040](#) [8145-1521-002](#) [81590](#)